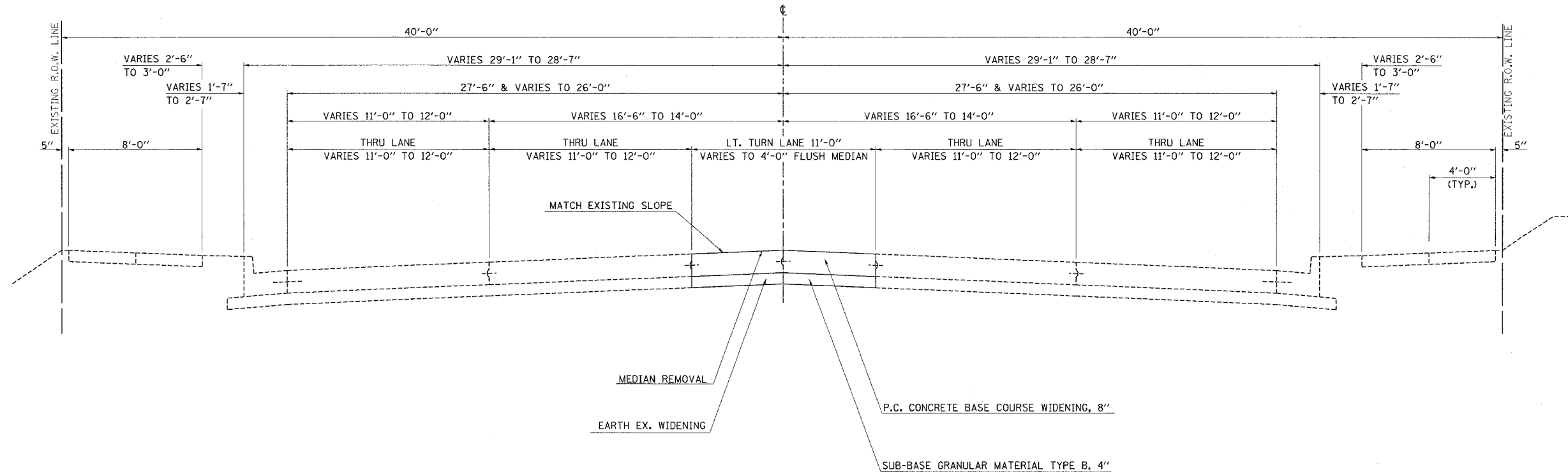


F.A.P. RTE.	SECTION	COUNTY	TOTAL SHEETS	SHEET NO.
804	25R,TS	CHAMPAIGN	19	8

PROPOSED TYPICAL CROSS SECTION

WINDSOR ROAD

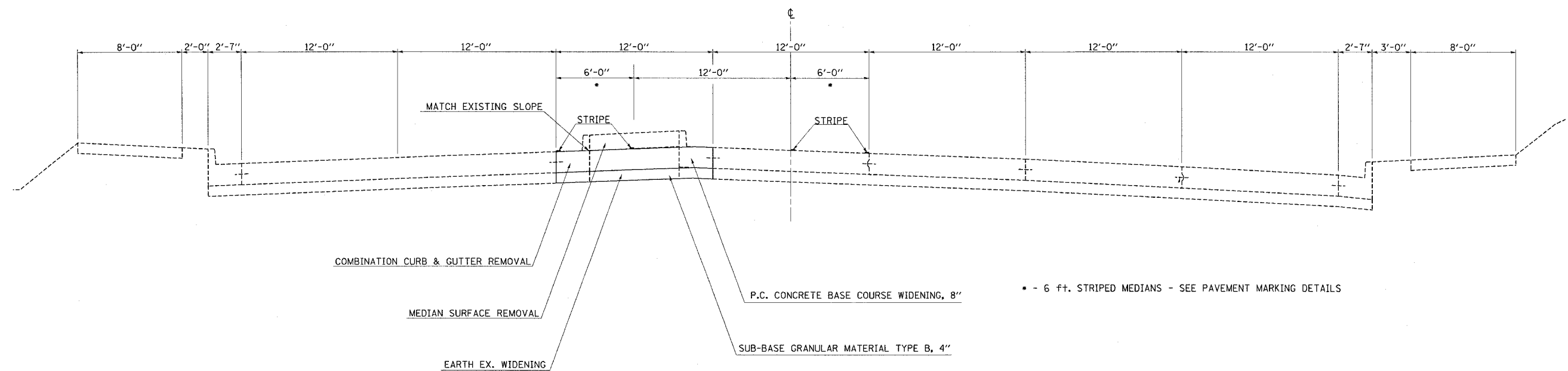
STATION 5+00.00 TO STATION 8+30.00



PROPOSED TYPICAL CROSS SECTION

WINDSOR ROAD

STATION 8+30.00 TO STATION 9+63.00



PLOT DATE = 8/28/2005
 FILE NAME = c:\p\proj\p05\4582385 (e8)\s\plot.dgn
 PLOT SCALE = 25.00000 1/1 IN.
 USER NAME = allenj