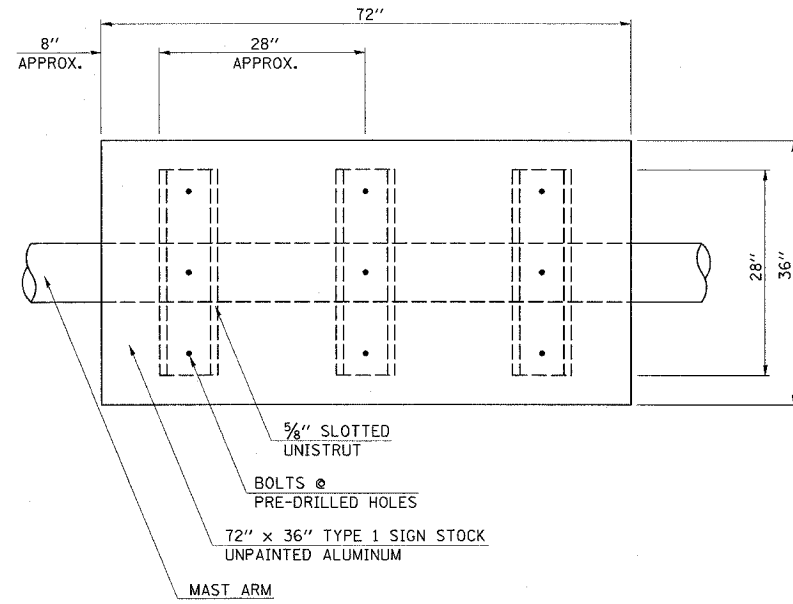


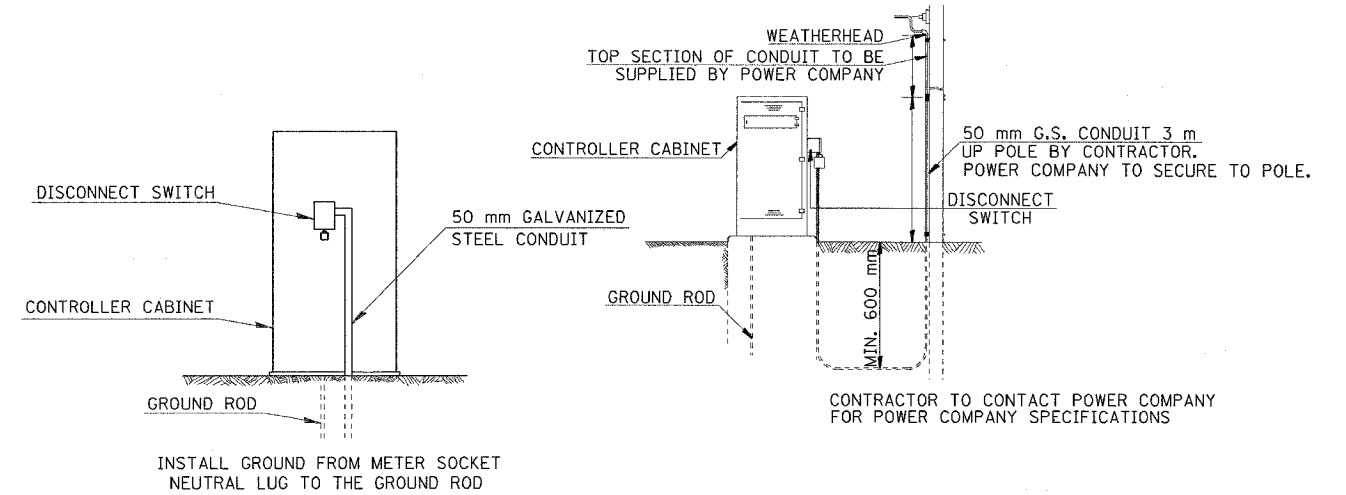
F.A.P. RTE.	SECTION	COUNTY	TOTAL SHEETS	SHEET NO.
804	25R,TS	CHAMPAIGN	19	19

CONTRACT NO. 70476

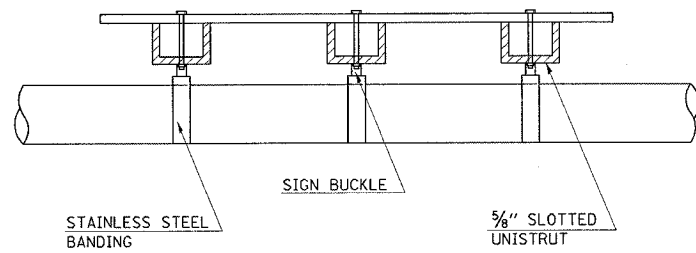
### MAST ARM DAMPENING DEVICE MOUNTING DETAIL



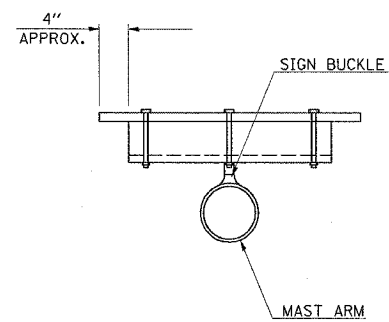
**PLAN VIEW**



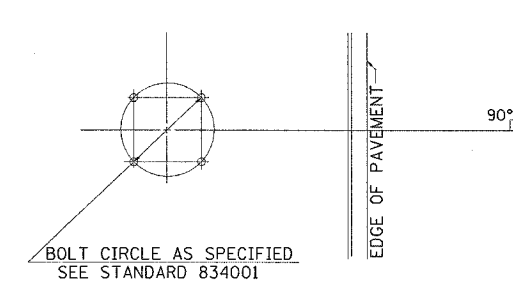
**DETAIL OF SERVICE INSTALLATION, TYPE B (MODIFIED)**



**ELEVATION**



**CROSS SECTION**



**DETAIL OF MAST ARM FOUNDATION BOLT PATTERN**

NOTE: PAINT ENDS OF UNISTRUT WITH SPRAY ON GALVANIZED PAINT