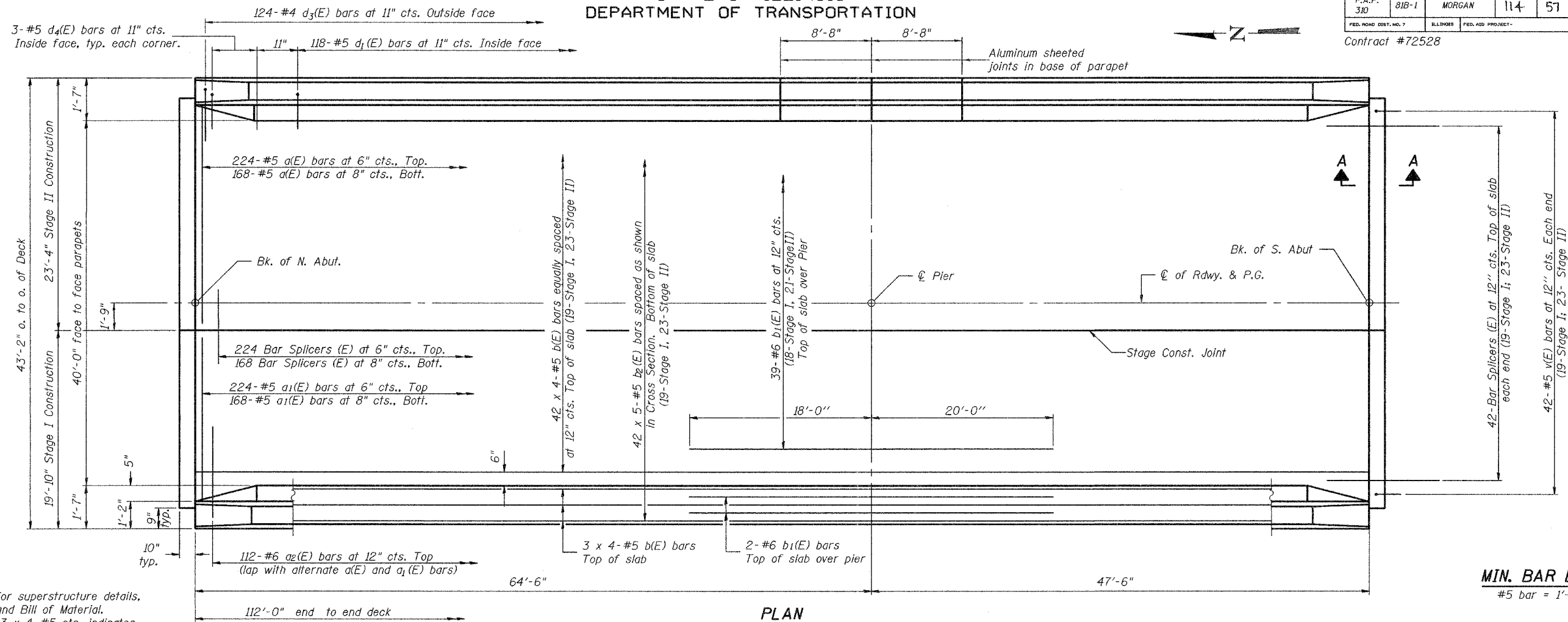


STATE OF ILLINOIS
DEPARTMENT OF TRANSPORTATION

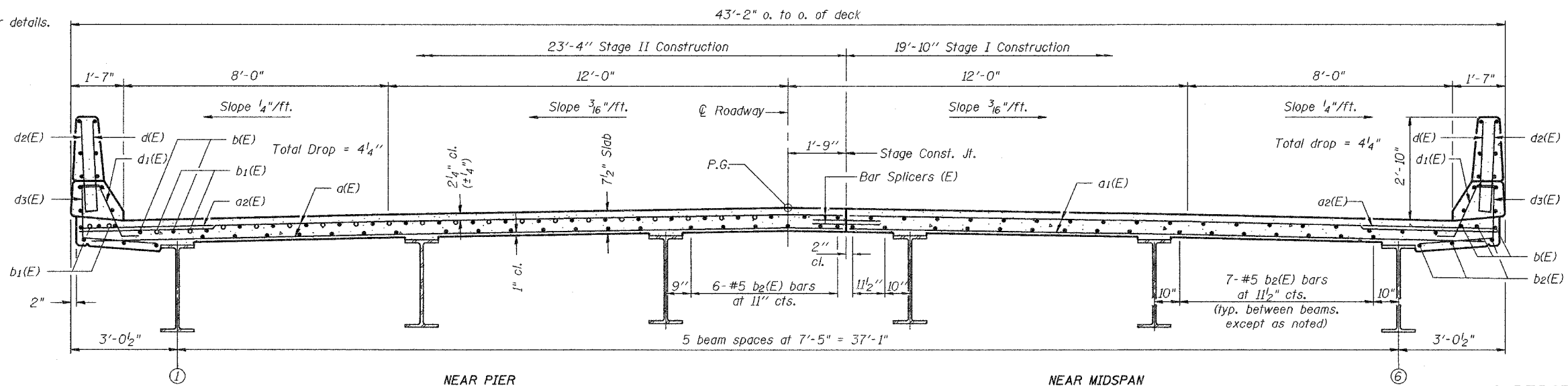
ROUTE NO. F.A.P. 310	SECTION 81B-1	COUNTY MORGAN	SHEET 114	OF SHEETS 51
FED. ROAD DIST. NO. 7		ILLINOIS FED. AID PROJECT		

SHEET NO. 6
16 SHEETS
Contract #72528



Notes: See Sheet 7 of 16 for superstructure details, parapet reinforcement and Bill of Material.
Bars indicated thus 3 x 4-#5 etc. indicates 3 lines of bars with 4 lengths of bars per line.
For Section A-A and diaphragm details see Sheet 8 of 16.
See Sheet 15 of 16 for bar splicer details.

MIN. BAR LAP
#5 bar = 1'-8"



CROSS SECTION
(Looking South)

DESIGNED	A.B.G.
CHECKED	W.A.B.
DRAWN	ØMC Frank Lowry
CHECKED	A.B.G. & W.A.B.

September 30, 2005
EXAMINED *Thomas J. Domagalak*
ENGINEER OF BRIDGE DESIGN
PASSED *Ralph E. Anderson*
ENGINEER OF BRIDGES AND STRUCTURES

SUPERSTRUCTURE
F.A.P. ROUTE 310 - SECTION 81B-1
MORGAN COUNTY
STATION 140+34.43
STRUCTURE NO. 069-0504