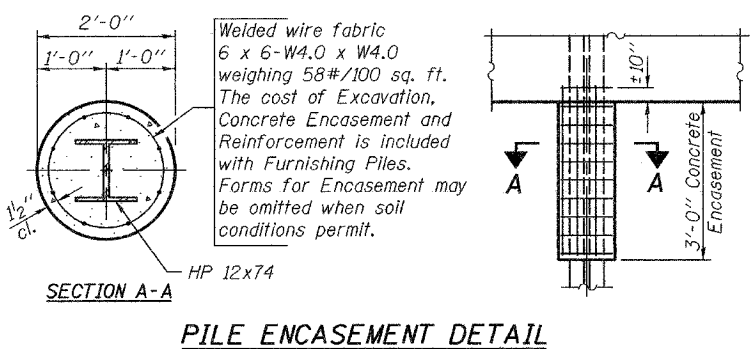


STATE OF ILLINOIS  
DEPARTMENT OF TRANSPORTATION

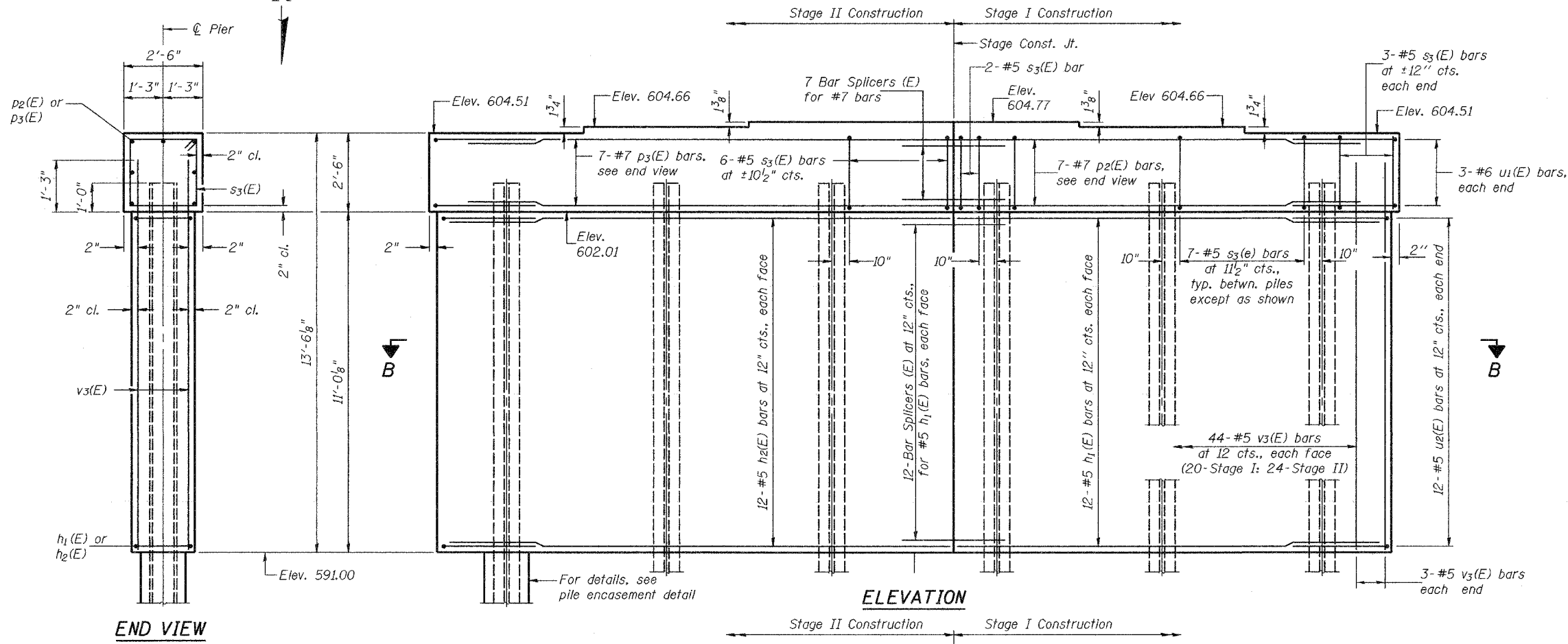
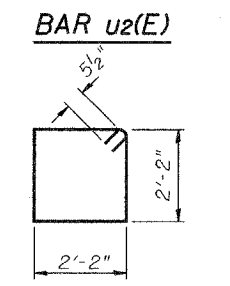
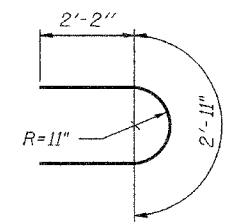
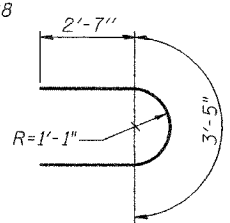
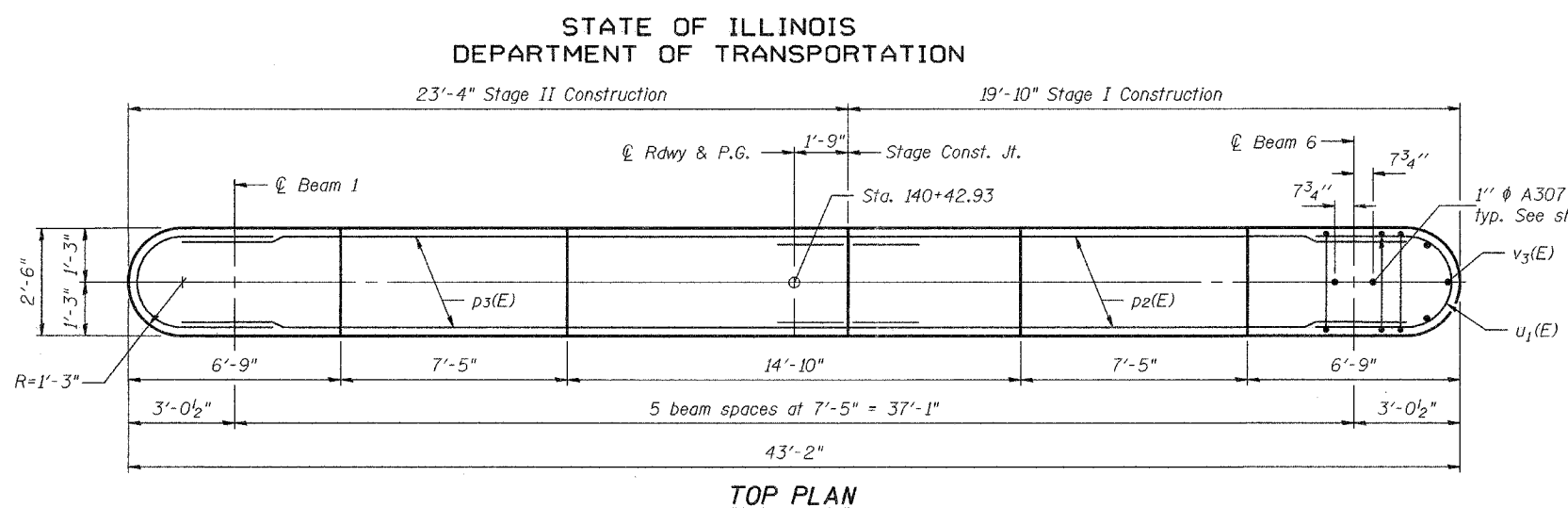
|                       |          |                  |              |           |
|-----------------------|----------|------------------|--------------|-----------|
| ROUTE NO.             | SECTION  | COUNTY           | TOTAL SHEETS | SHEET NO. |
| F.A.P. 310            | 81B-1    | MORGAN           | 114          | 65        |
| FED. ROAD DIST. NO. 7 | ILLINOIS | FED. AID PROJECT |              |           |

SHEET NO. 14  
16 SHEETS

Contract #72528



**PILE DATA**  
Type: HP12x74  
Capacity: Driven to Refusal  
Est. Length: 32'  
No. Required: 5 + 1 test pile



**BILL OF MATERIAL**

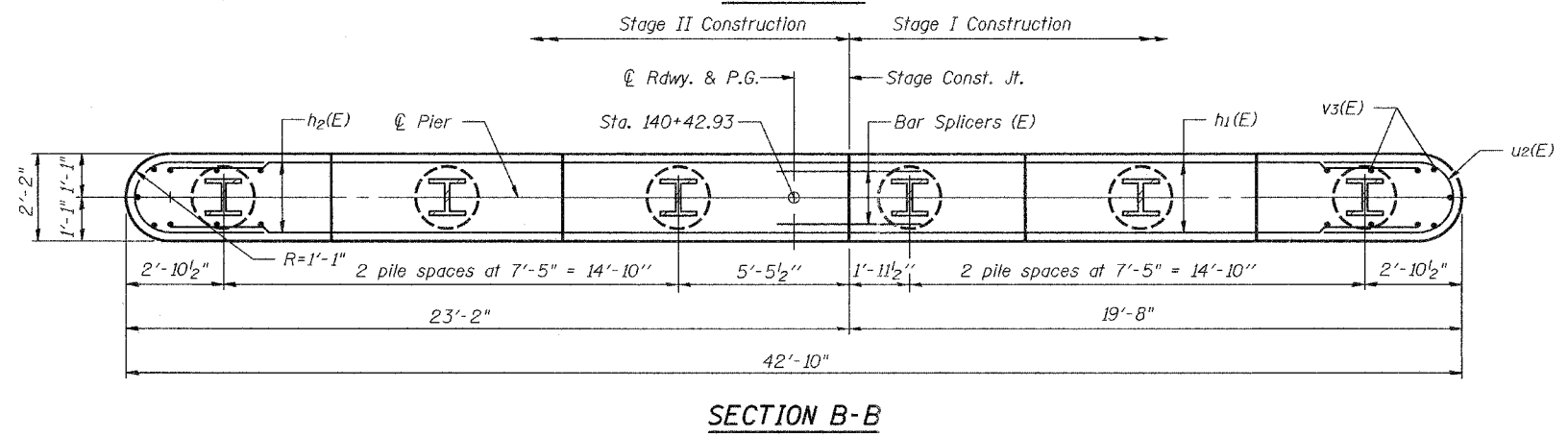
| Bar                                                    | No. | Size     | Length  | Shape |
|--------------------------------------------------------|-----|----------|---------|-------|
| h <sub>1</sub> (E)                                     | 24  | #5       | 18'-5"  | —     |
| h <sub>2</sub> (E)                                     | 24  | #5       | 21'-11" | —     |
| p <sub>2</sub> (E)                                     | 7   | #7       | 18'-5"  | —     |
| p <sub>3</sub> (E)                                     | 7   | #7       | 21'-11" | —     |
| s <sub>3</sub> (E)                                     | 42  | #5       | 9'-7"   | □     |
| u <sub>1</sub> (E)                                     | 6   | #6       | 8'-7"   | U     |
| u <sub>2</sub> (E)                                     | 24  | #5       | 7'-3"   | U     |
| v <sub>3</sub> (E)                                     | 94  | #5       | 12'-1"  | —     |
| Concrete Structures                                    |     | Cu. Yd.  | 47.9    |       |
| Reinforcement Bars, Epoxy Coated                       |     | Pound    | 3450    |       |
| Structure Excavation                                   |     | Cu. Yd.  | 46.0    |       |
| Furnishing Steel Piles HP12x74                         |     | Lin. Ft. | 160     |       |
| Driving Steel Piles                                    |     | Lin. Ft. | 160     |       |
| Test Pile Steel HP12x74                                |     | Each     | 1       |       |
| Underwater Structure Excavation Protection, Location 1 |     | Each     | 1       |       |

Reinforcement Bars designated (E) shall be epoxy coated.

Notes:  
Space reinforcement in cap to miss anchor bolts.  
Pour steps monolithically with cap.  
See sheet 15 of 16 for bar splicer details.

|          |                 |
|----------|-----------------|
| DESIGNED | A.B.G.          |
| CHECKED  | W.A.B.          |
| DRAWN    | DMC Frank Lowry |
| CHECKED  | A.B.G. & W.A.B. |

September 30, 2005  
EXAMINED *Thomas J. Demagallaki*  
ENGINEER OF BRIDGE DESIGN  
PASSED *Ralph E. Anderson*  
ENGINEER OF BRIDGES AND STRUCTURES



**PIER**  
F.A.P. ROUTE 310 - SECTION 81B-1  
MORGAN COUNTY  
STATION 140+34.43  
STRUCTURE NO. 069-0504