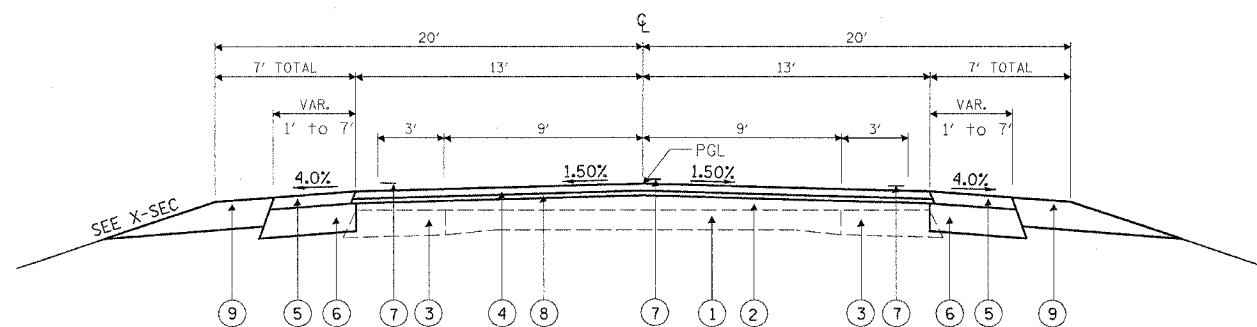


F.A.P. RTE.	SECTION	COUNTY	TOTAL SHEETS	SHEET NO.
562	117(B-4)	SCOTT	39	6
STA.	TO STA.			
FED. ROAD DIST. NO.	ILLINOIS	FED. AID PROJECT		
STATE CONTRACT NO. 72818				



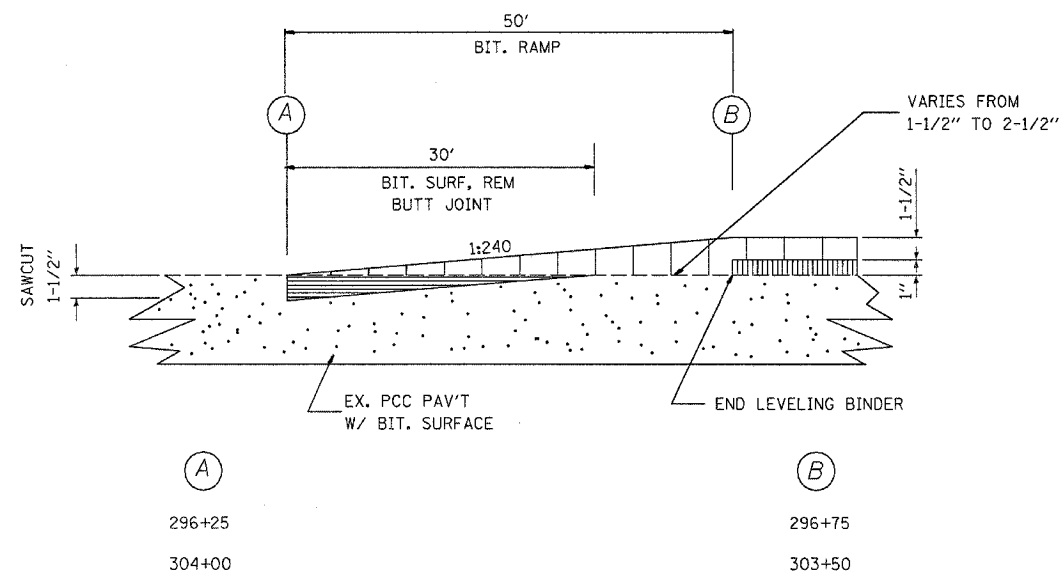
FAP ROUTE 562 (IL 100)
STA 296+75.00 TO STA 303+50.00

TYPICAL SECTION LEGEND

- ① EXISTING 9-6-9 PCC PAVEMENT
- ② EXISTING BITUMINOUS SURFACE, 5" AVG.
- ③ EXISTING BITUMINOUS WIDENING
- ④ PROPOSED BIT. CONC. SURF. CSE. SUPERPAVE, MIX D, N-50, 1-1/2"
- ⑤ PROPOSED BITUMINOUS SHOULDERS SUPERPAVE
- ⑥ PROPOSED BITUMINOUS CONCRETE BASE CSE WIDENING SUPERPAVE, 10"
- ⑦ PROPOSED PAINT PAVEMENT MARKING - LINE 5"
- ⑧ PROPOSED LEVELING BINDER SUPERPAVE, 1"
- ⑨ PROPOSED AGGREGATE SHOULDERS, TYPE B

BUTT JOINT LEGEND

- BITUMINOUS SURFACE REMOVAL - BUTT JOINT
- PROPOSED BIT. CONC. SURF. CSE. SUPERPAVE, MIX D, N-50, 1-1/2"
- PROPOSED LEVELING BINDER SUPERPAVE, 1"
- EXISTING BITUMINOUS CONCRETE PAVEMENT OR OVERLAY



BUTT JOINT DETAIL

A
296+25
304+00

B
296+75
303+50

REVISIONS	
NAME	DATE

ILLINOIS DEPARTMENT OF TRANSPORTATION
TYPICAL SECTION & BUTT JOINT DETAIL
F.A.P. ROUTE 562 (IL 100)
SCOTT COUNTY
SCALE: VERT. NONE
HORIZ. NONE
DATE 04/27/2005
DRAWN BY AJP
CHECKED BY JDJ

Plot Date: 4/27/2005
Plot Time: 2:02:25 PM
Plotted By: abottt@stl
Pen Table: 1001.tbl
Filename: s:\0500\1111\DD\work\1\construction\plans\06_typicala.tlb.dgn