

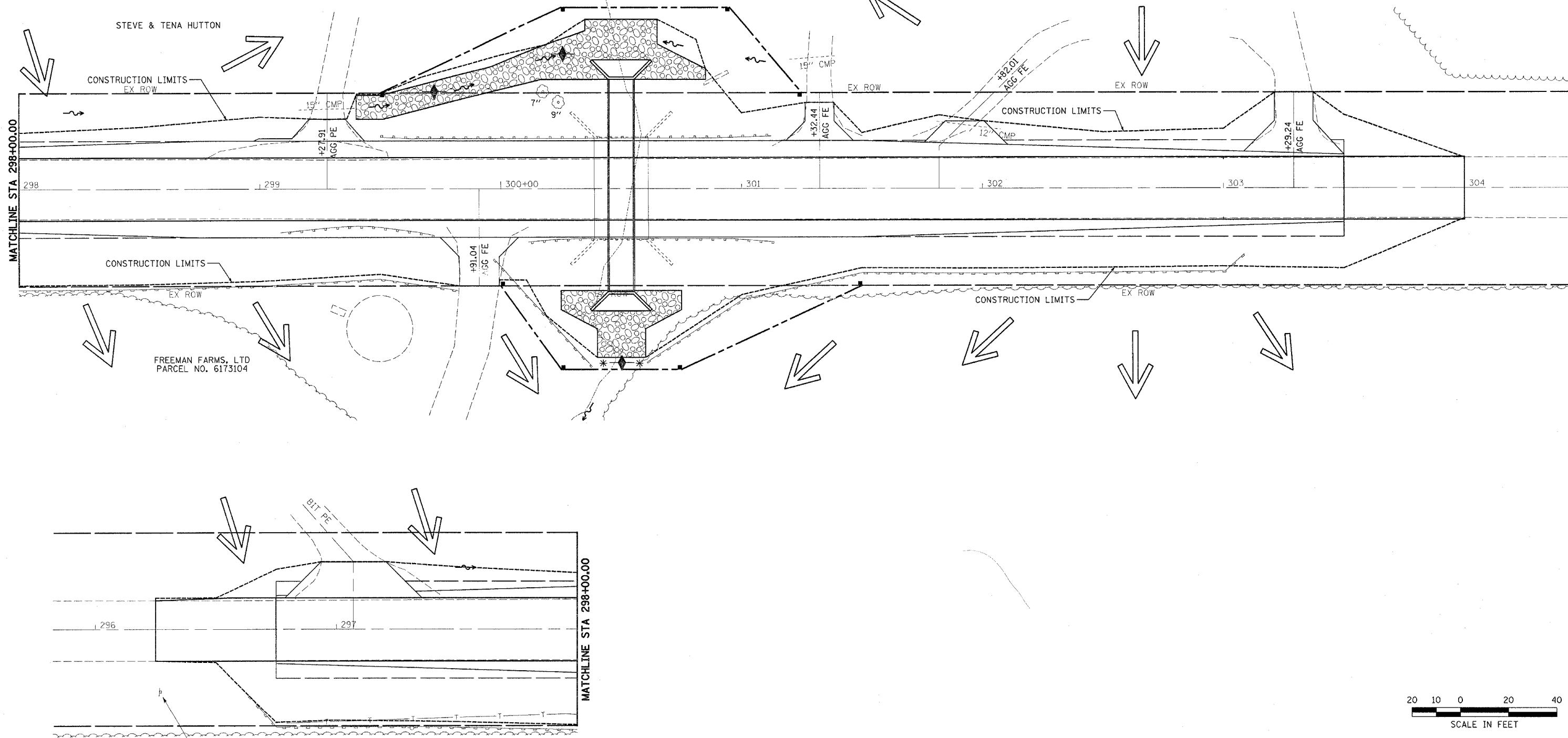
F.A.P. RTE.	SECTION	COUNTY	TOTAL SHEETS	SHEET NO.
562	117(B-4)	SCOTT	39	17
STA. 297+50.00 TO STA. 303+50.00				
FED. ROAD DIST. NO.	ILLINOIS	FED. AID PROJECT		
STATE CONTRACT NO. 72818				

SEE THE SCHEDULE OF QUANTITIES FOR EROSION CONTROL SCHEDULES

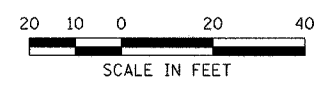
EUGENE & LOUISE EVANS
PARCEL NO. 6173103

STEVE & TENA HUTTON

FREEMAN FARMS, LTD
PARCEL NO. 6173104



UNLAWFUL TO PASS
STOPPED SCHOOL BUS



REVISIONS	
NAME	DATE

ILLINOIS DEPARTMENT OF TRANSPORTATION
STORM WATER POLLUTION PREVENTION PLAN
F.A.P. ROUTE 562 (IL 100)
SCOTT COUNTY
SCALE: VERT. 1"=20'
HORIZ. 1"=20'
DATE 04/27/2005
DRAWN BY AJP
CHECKED BY JDJ

Plot Date: 4/27/2005
 Plot Time: 2:02:47 PM
 User: jay
 Pen Tables: fct1.tbl
 File Name: s:\0400\IL100\cd\1\construction\plans\17_swpd_1100.dgn