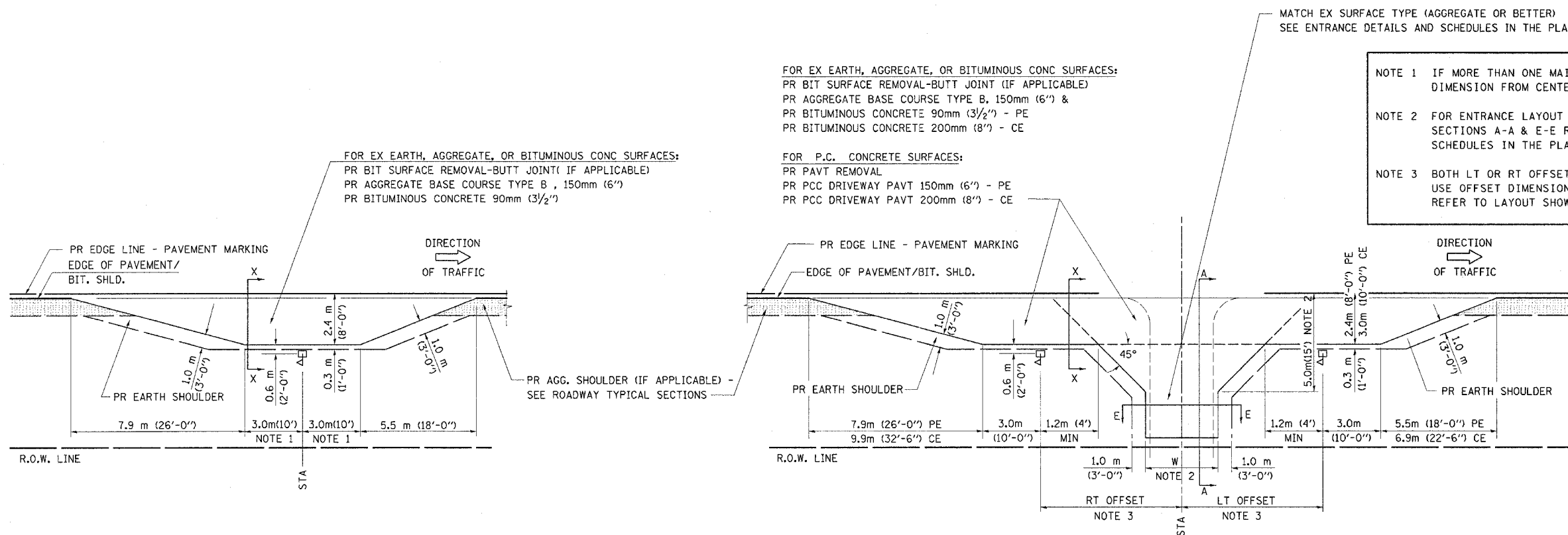


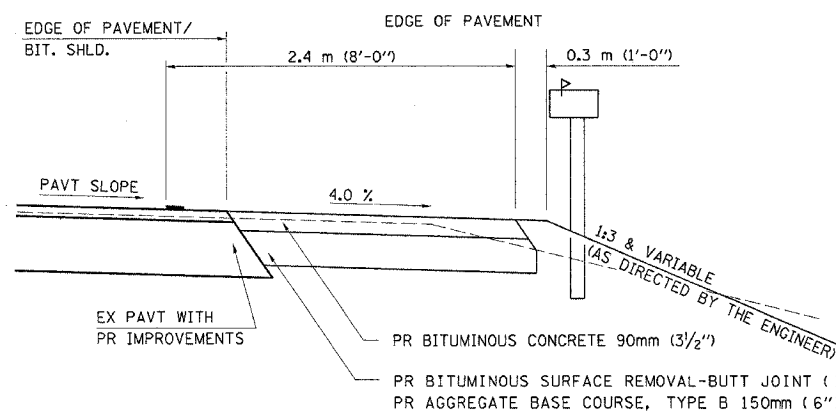
F.A.P. RTE.	SECTION	COUNTY	TOTAL SHEETS	SHEET NO.
562	117(B-4)	SCOTT	39	19
STA.	TO STA.			
FED. ROAD DIST. NO.	ILLINOIS	FED. AID PROJECT		
STATE CONTRACT NO. 72818				

DETAILS OF MAILBOX TURNOUTS

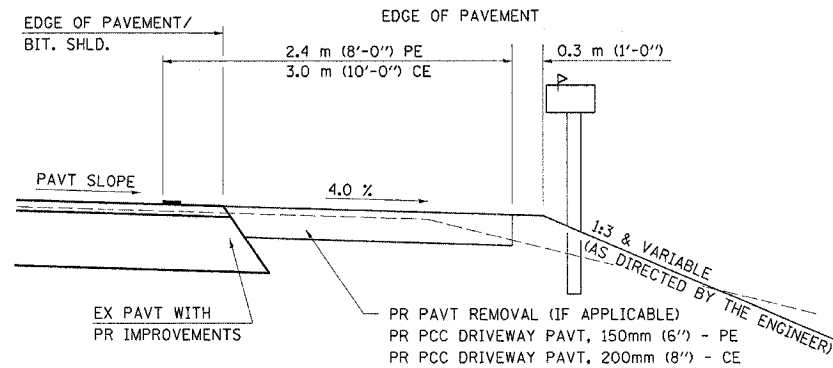


PLAN - MAILBOX TURNOUTS

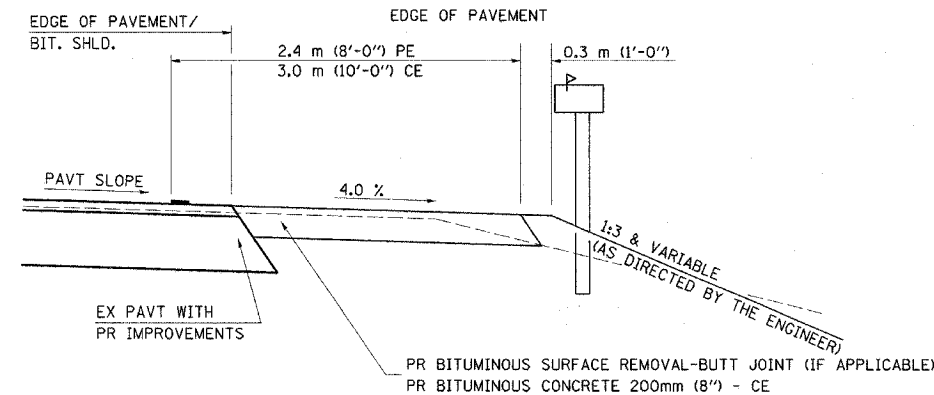
PLAN - COMBINED MAILBOX TURNOUT WITH TRAILING OR LEADING ENTRANCE



**SECTION X-X THRU MAILBOX TURNOUT
 ALSO APPLIES TO MAILBOX TURNOUTS COMBINED WITH
 EX EARTH, AGGREGATE, OR BITUMINOUS PE & FE**



**SECTION X-X THRU MAILBOX TURNOUT
 COMBINED WITH EX CONC PE OR CE**



**SECTION X-X THRU MAILBOX TURNOUT
 COMBINED WITH EX EARTH, AGGREGATE, OR BITUMINOUS CE**

Plot Date: 4/27/2005
 Plot Time: 2:02:44 PM
 Plot User: jcn
 Pen Table: idb.tbl
 File Name: s:\0402\1100\cadd\constr\function\plans\18_18_ent_detailed.dgn

ENT 3R

REVISIONS	
NAME	DATE
JCN	2/19/03

SHEET 2 OF 3

ILLINOIS DEPARTMENT OF TRANSPORTATION
DISTRICT SIX
DETAILS FOR RURAL / URBAN
ENTRANCE & MAILBOX TURNOUT
W / O CONCRETE GUTTER
(3R - PROJECTS)

SCALE: VERT.
 HORIZ.

DATE: FEBRUARY 23, 1999

DRAWN BY: CADD
 CHECKED BY: JCN