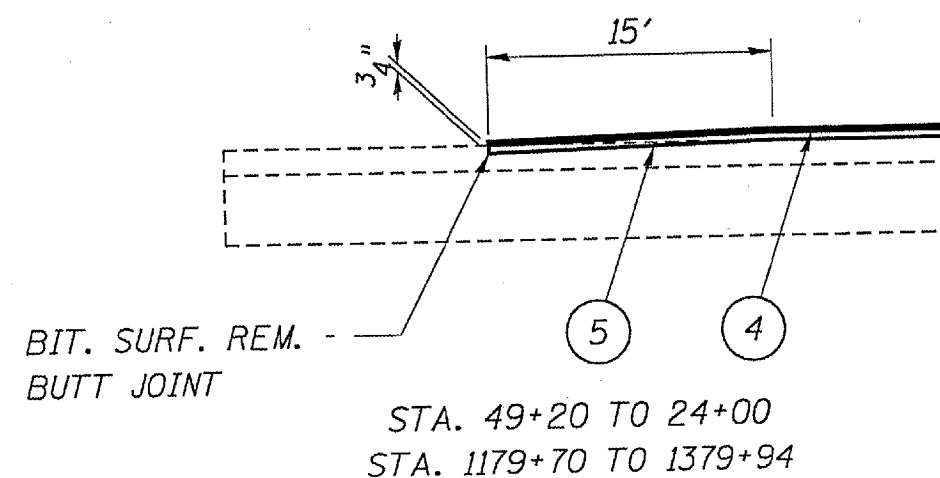


STA. 49+20 TO 24+00  
 STA. 1179+70 TO 1371+94

LEGEND

- 1 EXIST. BITUMINOUS OVERLAY
- 2 EXIST. AGGREGATE SHOULDER
- 3 EXIST. P.C.C. WIDENING
- 4 EXIST. 9-6-9 P.C.C. PAVEMENT
- 5 EXIST. BITUMINOUS SHOULDER
- 6 PROP. BITUMINOUS SURFACE TREATMENT (PREVENTIVE MAINTENANCE) 3/4"
- 7 PROP. LEVELING BINDER (MACHINE METHOD) SUPERPAVE, N50
- 8 PROP. PAINT PAVEMENT MARKING - LINE 5"
- 9 PROP. AGGREGATE SHOULDER, TYPE B



STA. 49+20 TO 24+00  
 STA. 1179+70 TO 1379+94

TYPICAL SECTIONS  
 FAS 1774 (OLD IL 121)  
 SECTION (109, 110)Q  
 LOGAN COUNTY