

FOR INDEX OF SHEETS AND HIGHWAY  
STANDARDS, SEE SHEET 2.

STATE OF ILLINOIS  
DEPARTMENT OF TRANSPORTATION  
DIVISION OF HIGHWAYS

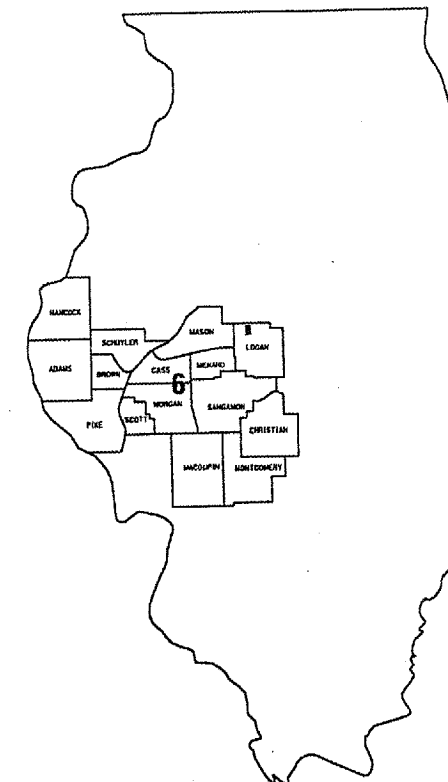
# PLANS FOR PROPOSED CONTRACT MAINTENANCE

## FAS 1774 (OLD IL 121)

### SECTION: (109, 110)Q

### LOGAN COUNTY

### C96-006-06 / D96-018-05

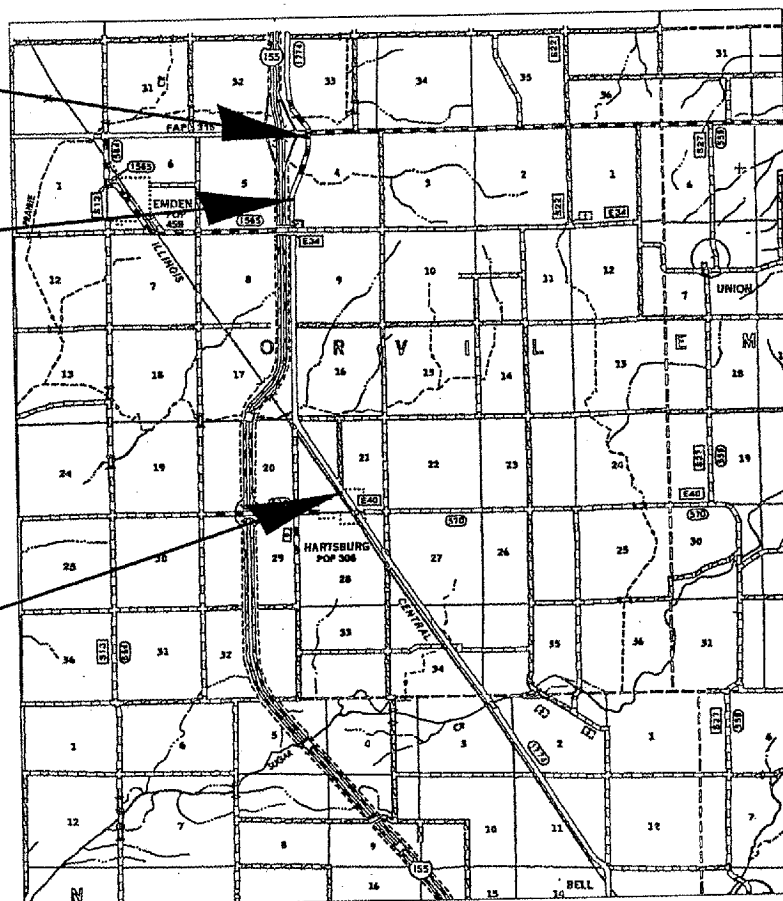


LOCATION OF SECTION INDICATED THUS: ■

BEGIN PROJECT  
STA. 49+20

STA. EQ. 1179+70 bk.  
= 24+00 ah

END PROJECT  
STA. 1371+94

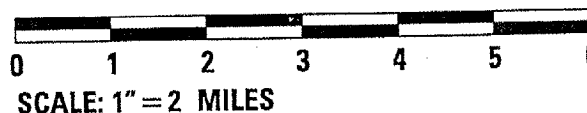


**J. U. L. I. E.**  
JOINT UTILITY LOCATION INFORMATION FOR EXCAVATION  
1-800-892-0123

DESIGN & PLANNING ENGINEER: CECIL DOWNING  
PLANS & CONTRACT TECHNICIAN: TIMOTHY SHARP  
PHONE: (217) 782-7743

## CONTRACT NO. 72995

NET LENGTH PROJECT = 21,744FT = 4.118 MI



STATE OF ILLINOIS  
DEPARTMENT OF TRANSPORTATION  
DIVISION OF HIGHWAYS

SUBMITTED SEPT. 13 2005  
Chris M Reed  
DISTRICT ENGINEER

October 14, 2005  
Mike Hine  
ENGINEER OF DESIGN AND ENVIRONMENT



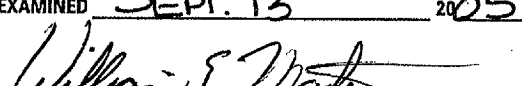
October 14, 2005  
Eric E. Harm  
DEPUTY DIRECTOR, DIVISION OF HIGHWAYS

INDEX

- 1 COVER
- 2 INDEX / STDS / SIGNATURES
- 3 QUANTITIES
- 4 TYPICAL SECTIONS

STANDARDS

- 701001-01
- 701006-02
- 701011-01
- 701201-02
- 701301-02
- 701306-01
- 702001-05
- 780001-01
- 701311-02

STATE OF ILLINOIS DEPARTMENT OF TRANSPORTATION DIVISION OF HIGHWAYS DISTRICT 6	
EXAMINED	Sept 14 20 05
 ENGINEER OF OPERATIONS	
EXAMINED	SEPT 13, 20 05
 ENGINEER OF PROGRAM IMPLEMENTATION	
EXAMINED	SEPT. 13 20 05
 ENGINEER OF PROGRAM DEVELOPMENT	

MIXTURE REQUIREMENTS	
THE FOLLOWING MIXTURE REQUIREMENTS ARE APPLICABLE FOR THIS PROJECT	
MIXTURE USE(S):	LEVELING BINDER
AC/PG	PG 64-22
RAP %: (MAX)	15%
DESIGN AIR VOIDS:	4.0% @ N DESIGN = 50
MIXTURE COMP:	IL 9.5
FRICTION AGG:	N/A

NOTE:  
AGGREGATE FOR BITUMINOUS SURFACE TREATMENT  
(PREVENTIVE MAINTENANCE) SHALL BE CA-16

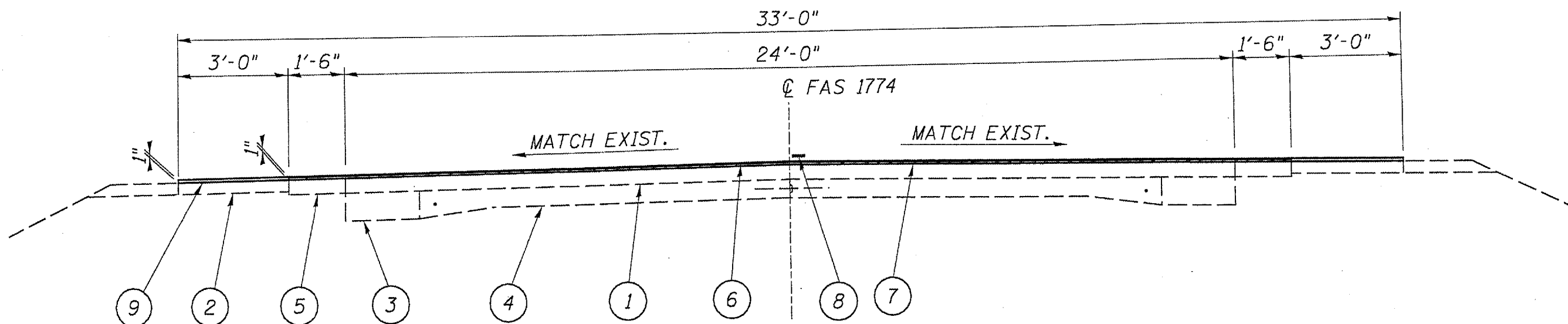
INDEX / STDS / SIGNATURES  
FAS 1774 (OLD IL 121)  
SECTION: (109, 110)Q  
LOGAN COUNTY

S U M M A R Y O F Q U A N T I T I E S

CODE NO.	ITEM	UNIT	100% STATE FOOO TOTAL QTY
X0374633	BITUMINOUS SURFACE TREATMENT (PREVENTIVE MAINTENANCE)	SQ YD	65.232
40600200	BITUMINOUS MATERIALS (PRIME COAT)	TON	20.4
40600300	AGGREGATE (PRIME COAT)	TON	97.9
40600980	BITUMINOUS SURFACE REMOVAL - BUTT JOINT	SQ YD	90
40600990	TEMPORARY RAMP	SQ YD	15
48101200	AGGREGATE SHOULDERS, TYPE B	TON	846
67100100	MOBILIZATION	L SUM	1
70100450	TRAFFIC CONTROL AND PROTECTION, STANDARD 701201	L SUM	1
70100460	TRAFFIC CONTROL AND PROTECTION, STANDARD 701306	L SUM	1
70300100	SHORT-TERM PAVEMENT MARKING	FOOT	2,175
70301000	WORK ZONE PAVEMENT MARKING REMOVAL	SQ FT	725
* 78001120	PAINT PAVEMENT MARKING - LINE 5"	FOOT	5.436
78100215	TEMPORARY FLEXIBLE PAVEMENT MARKER	EACH	1,088
X4066765	LEVELING BINDER (MACHINE METHOD) SUPERPAVE, N50	TON	4.110

\*SPECIALTY ITEM

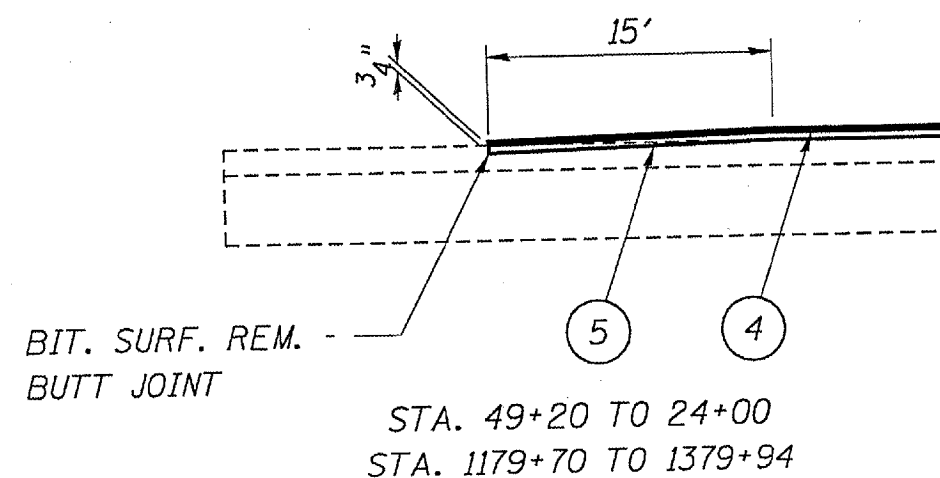
SUMMARY OF QUANTITIES  
FAS 1774 (OLD IL 121)  
SECTION (109, 110)Q  
LOGAN COUNTY



STA. 49+20 TO 24+00  
STA. 1179+70 TO 1371+94

LEGEND

- 1 EXIST. BITUMINOUS OVERLAY
- 2 EXIST. AGGREGATE SHOULDER
- 3 EXIST. P.C.C. WIDENING
- 4 EXIST. 9-6-9 P.C.C. PAVEMENT
- 5 EXIST. BITUMINOUS SHOULDER
- 6 PROP. BITUMINOUS SURFACE TREATMENT (PREVENTIVE MAINTENANCE) 3/4"
- 7 PROP. LEVELING BINDER (MACHINE METHOD) SUPERPAVE, N50
- 8 PROP. PAINT PAVEMENT MARKING - LINE 5"
- 9 PROP. AGGREGATE SHOULDER, TYPE B



STA. 49+20 TO 24+00  
STA. 1179+70 TO 1379+94

TYPICAL SECTIONS  
FAS 1774 (OLD IL 121)  
SECTION (109, 110)Q  
LOGAN COUNTY