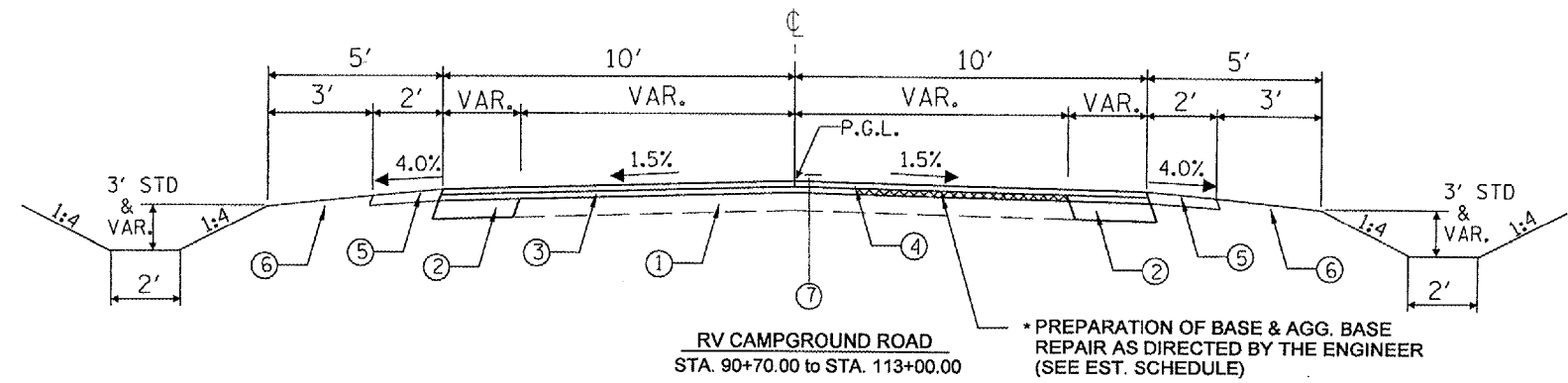


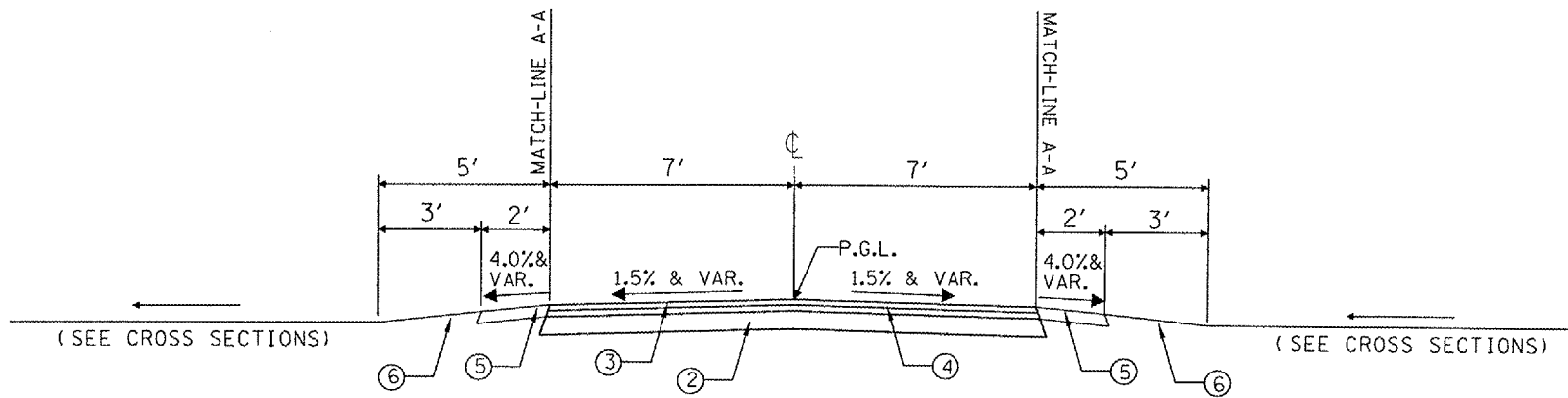
F.A. RTE.	SECTION	COUNTY	TOTAL SHEETS	SHEET NO.
*	**	SCHUYLER	139	16
STA.		TO STA.		
FED. ROAD DIST. NO.	ILLINOIS	FED. AID PROJECT		
* OTHER ROUTE 1 (WEINBERG KING STATE PARK)				
** WEIN KING ST PK INT RDS 2				



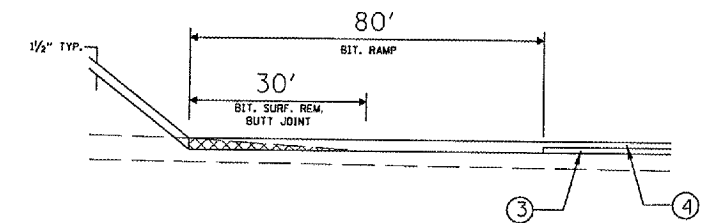
- LEGEND**
- ① EXISTING PAVEMENT 6" & VAR. (AGG. BASE W/ OIL & CHIP SURFACE)
 - ② PROP. AGG. BASE CSE, TYPE A, 6"
 - ③ PROP. BITUMINOUS BINDER COURSE SUPERPAVE 2 1/2" & VAR.
 - ④ PROP. BITUMINOUS SURFACE COURSE SUPERPAVE 1 1/2"
 - ⑤ PROP. AGG. SHOULDER, TYPE B, 4"
 - ⑥ PROP. EARTH SHOULDER
 - ⑦ PROP. PREF. PLASTIC PAVEMENT MARKING, LINE 5"
 - ⑧ PROP. AGG. SURF. CSE, TYPE B, 4"

NOTE:

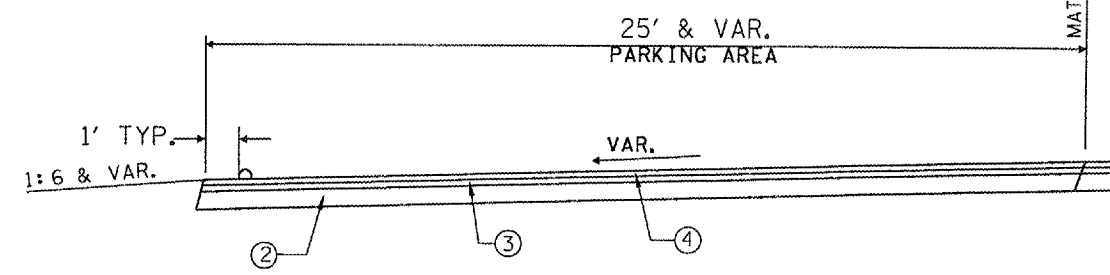
- * AT LOCATIONS WHERE EXISTING PAVEMENT SURFACE CROSS SLOPE (AT EDGES OF ROAD OR PARKING AREAS) DOES NOT ALLOW FOR PLACEMENT OF AT LEAST 1" OF BINDER, SCARIFY EXISTING OIL & CHIP SURFACE, GRADE, AND SHAPE (PREPARATION OF BASE & AGGREGATE BASE REPAIR) TO PREPARE A BASE TO ALLOW 2 1/2" OF BINDER TO THE TOP OF THE PROPOSED BINDER GRADE.



BUTT JOINT



RV CAMPGROUND ROAD
 STA. 90+70.00 to STA. 91+50.00



REVISIONS	
NAME	DATE

ILLINOIS DEPARTMENT OF TRANSPORTATION

TYPICAL CROSS-SECTIONS

SCALE: VERT. _____
 HORIZ. _____

DATE _____

DRAWN BY BDK
 CHECKED BY JCN

PLOT DATE = 8/22/2005
 FILE NAME = c:\projects\72996\rv\rv\rv.dwg
 PLOT SCALE = 5/8" = 1' / IN.
 REFERENCE = #REF#