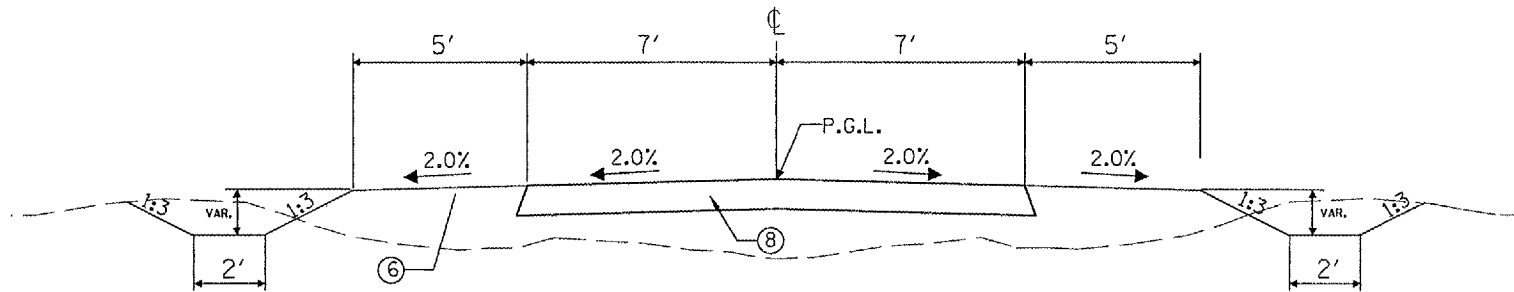
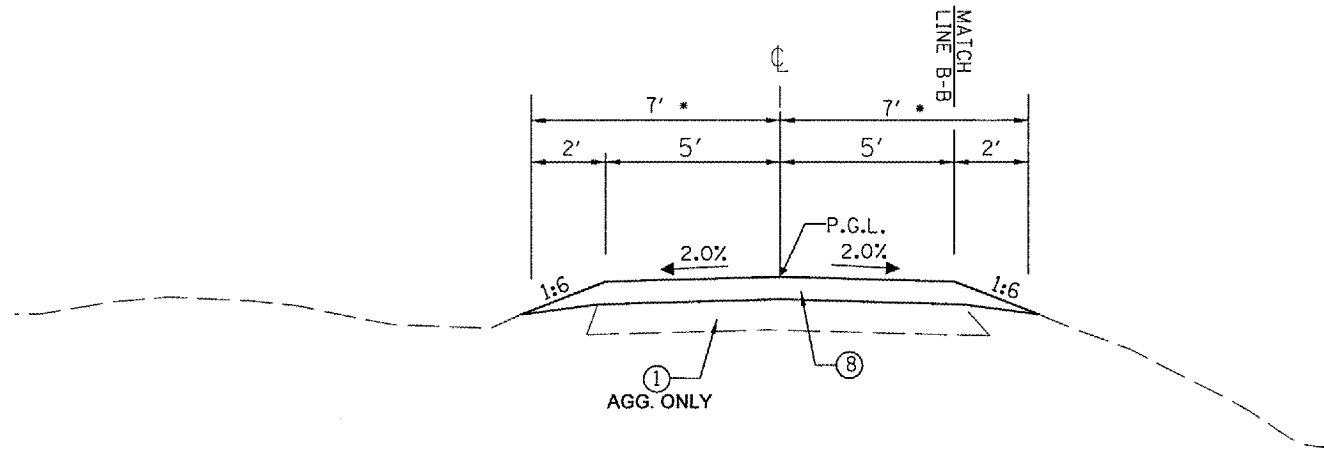


F.A. RTE.	SECTION	COUNTY	TOTAL SHEETS	SHEET NO.
*	**	SCHUYLER	139	17
STA.		TO STA.		
FED. ROAD DIST. NO.		ILLINOIS FED. AID PROJECT		
* OTHER ROUTE 1 (WEINBERG KING STATE PARK)				
** WEIN KING ST PK INT RS 2				



HUNTER ACCESS ROAD
STA. 528+50.00 TO STA. 530+60.00

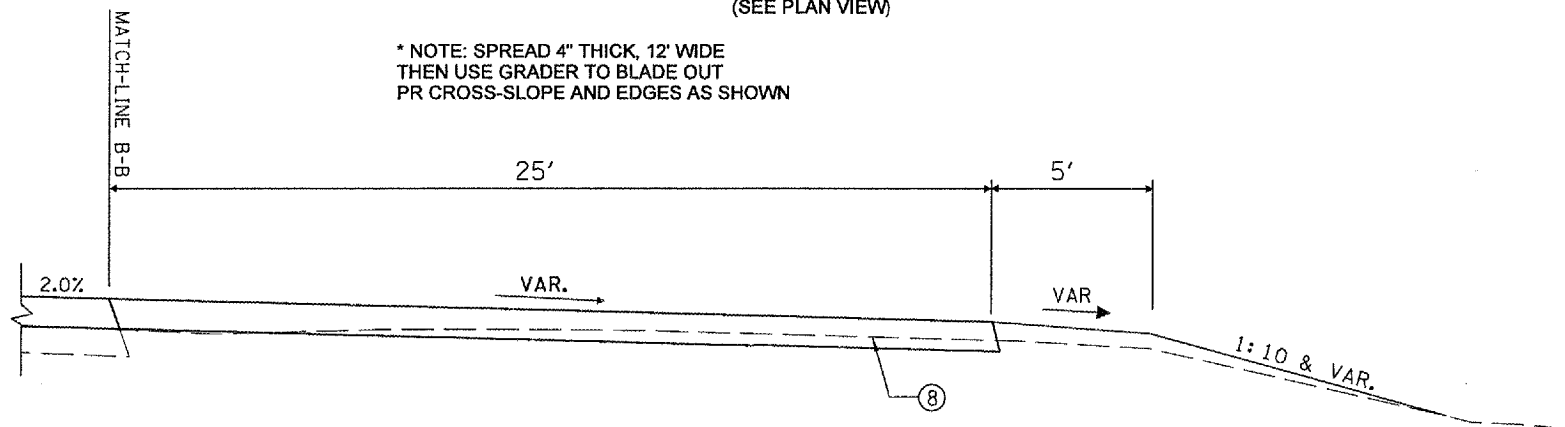
PR REPROFILING PAVEMENT AREA (SEE CROSS SECTIONS) PLACE AGG. SURF. CSE., T-B, 4" ON TOP OF NEW EMBANKMENT



HUNTER PARKING AREA NO. 1
STA. 0+00.00 TO STA. 2+69.01 - 20' SURF. WIDTH

HUNTER ACCESS ROAD
 STA. 500+05.00 TO STA. 502+00.00 - VAR WIDTH SURF. (SEE PLAN VIEW).
 STA. 502+00.00 TO STA. 510+00.00
 STA. 510+00.00 TO STA. 511+25.00 - PR EARTH EXCAVATION TO REMOVE EX ROAD SURFACE TO ALLOW AGG. SURF. CSE., T-B, 4",
 STA. 511+25.00 TO STA. 528+50.00 SURFACE TO ALLOW AGG. SURF. CSE., T-B, 4",
 STA. 530+60.00 TO STA. 535+50.00 TO BE FLUSH WITH EX SURF OF CONC. PARKING AREA
 STA. 535+50.00 TO STA. 538+00.00 - PR EARTH EXCAVATION TO REMOVE EX ROAD SURFACE TO ALLOW AGG. SURF. CSE., T-B, 4",
 STA. 538+00.00 TO STA. 568+70.00 TO BE FLUSH WITH EX SURF OF CONC. PARKING AREA
 STA. 568+70.00 TO STA. 570+09.08 - VAR WIDTH SURF. FOR TURN AROUND (SEE PLAN VIEW)

* NOTE: SPREAD 4" THICK, 12' WIDE THEN USE GRADER TO BLADE OUT PR CROSS-SLOPE AND EDGES AS SHOWN



HUNTER PARKING AREA # 1
LT. STA. 0+00.00 TO LT. STA. 0+80.00

HUNTER ACCESS ROAD PARKING AREAS
 RT. STA. 510+23.51 TO RT. STA. 511+02.09 - HUNTER PARKING AREA NO. 2 - EX PCC PARKING AREA - WIDEN OF SIDES ONLY
 RT. STA. 536+97 TO RT. STA. 537+25 - HUNTER PARKING AREA NO. 3 - EX PCC PARKING AREA
 RT. STA. 558+00 TO RT. STA. 559+00 - PR HUNTER PARKING AREA NO. 4
 RT. STA. 567+70 TO RT. STA. 568+70 - PR HUNTER PARKING AREA NO. 5

LEGEND

- ① EXISTING PAVEMENT 6" & VAR. (AGG. BASE W/ OIL & CHIP SURFACE)
- ② PROP. AGG. BASE CSE, TYPE A, 6"
- ③ PROP. BITUMINOUS BINDER COURSE SUPERPAVE 2" & VAR.
- ④ PROP. BITUMINOUS SURFACE COURSE SUPERPAVE 2"
- ⑤ PROP. AGG. SHOULDER, TYPE B, 4"
- ⑥ PROP. EARTH SHOULDER
- ⑦ PROP. PREF. PLASTIC PAVEMENT MARKING, LINE 5"
- ⑧ PROP. AGG. SURF. CSE, TYPE B, 4"

REVISIONS	
NAME	DATE

ILLINOIS DEPARTMENT OF TRANSPORTATION

TYPICAL CROSS-SECTIONS

SCALE: VERT. DATE
HORIZ.

DRAWN BY BDK
CHECKED BY JCN