

F.A. RTE.	SECTION	COUNTY	TOTAL SHEETS	SHEET NO.
*	**	SCHUYLER	139	41
STA.		TO STA.		
FED. ROAD DIST. NO.		ILLINOIS FED. AID PROJECT		
* OTHER ROUTE 1 (WEINBERG KING STATE PARK)				
** WEIN KING ST PK INT ROS 2				

FARM FIELD

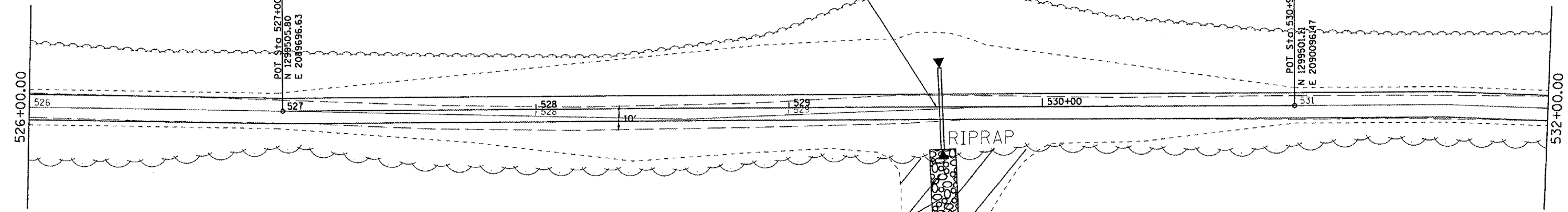
FARM FIELD



STA 529+60.00 (0° SKEW)  
 PR PIPE CULVERT. 18" Ø x 40'  
 T-1, CS/A  
 (N 1299518.03, E 2089956.08) 20' LT USFL = 543.90  
 (N 1299486.04 E 2089956.87) 20' RT DSFL = 543.70  
 2-METAL END SEC 15" Ø  
 (STD 542401)

POT. STA 527+00.00 (Q SURVEY) =  
 N 1299505.80  
 E 2089966.63  
 PI STA 527+00.00 (Q CONSTRUCTION)

POT. STA 530+99.73 (Q SURVEY) =  
 N 1299501.81  
 E 2090096.47  
 PI STA 530+99.73 (Q CONSTRUCTION)



PR STONE DUMPED RIPRAP, CL-B3  
 10' - WIDE SWALE (EST. 25 TON)

PR TREE REMOVAL  
 (1757 SQ. FT)

PR TREE REMOVAL  
 (ACRES)

NOTE: STA 528+50 TO STA 530+60  
 -SEE PROFILE SHEET FOR REPROFILING  
 PAVEMENT AREA

PLOT DATE = 8/24/2009  
 PLOT SCALE = 41.3736 / IN.  
 USER NAME = karnsd

REVISIONS	
NAME	DATE

ILLINOIS DEPARTMENT OF TRANSPORTATION

**PLAN VIEW**

WEINBERG KING STATE PARK

SCALE: VERT. \_\_\_\_\_  
 HORIZ. \_\_\_\_\_

DATE \_\_\_\_\_

DRAWN BY BDK  
 CHECKED BY ZSH