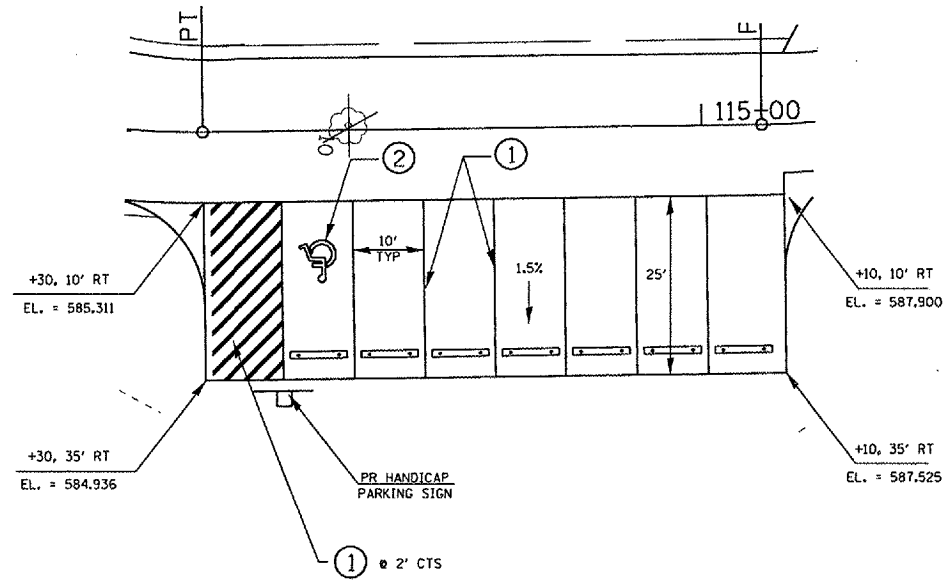


F.A. RTE.	SECTION	COUNTY	TOTAL SHEETS	SHEET NO.
*	**	SCHUYLER	139	50
STA.		TO STA.		
FED. ROAD DIST. NO.		ILLINOIS	FED. AID PROJECT	
* OTHER ROUTE 1 (WEINBERG KING STATE PARK)				
** WEIN KING ST PK INT RDS 2				

RV NO. 1

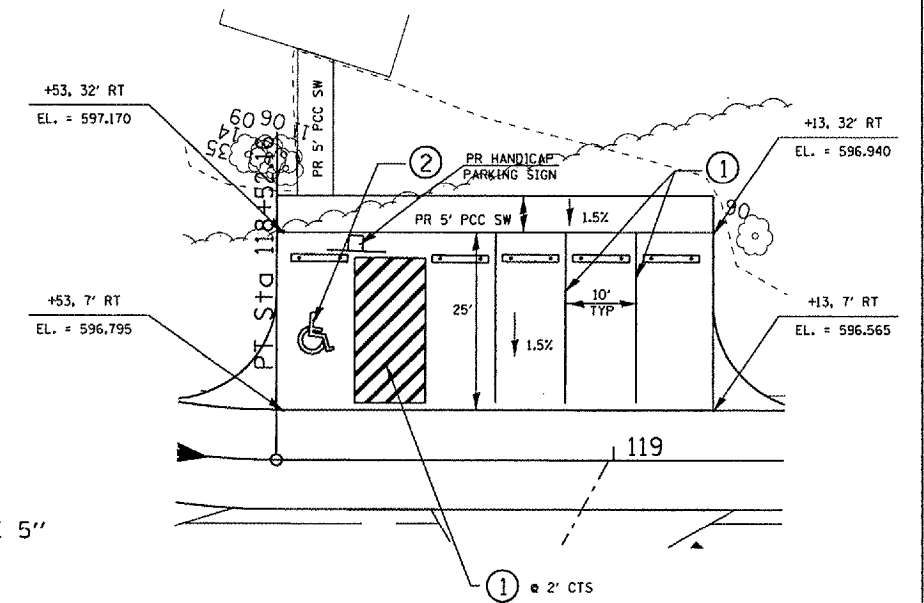


RV NO. 2

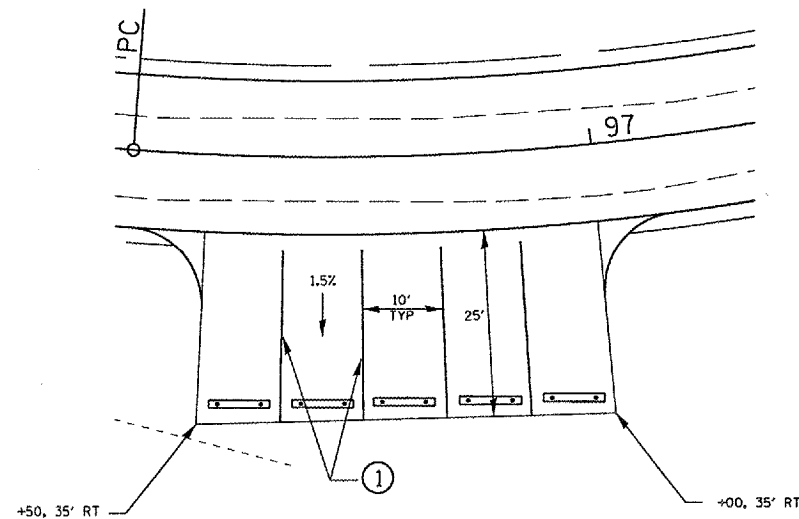
PR PAVEMENT MARKING ONLY

PAVEMENT MARKING LEGEND

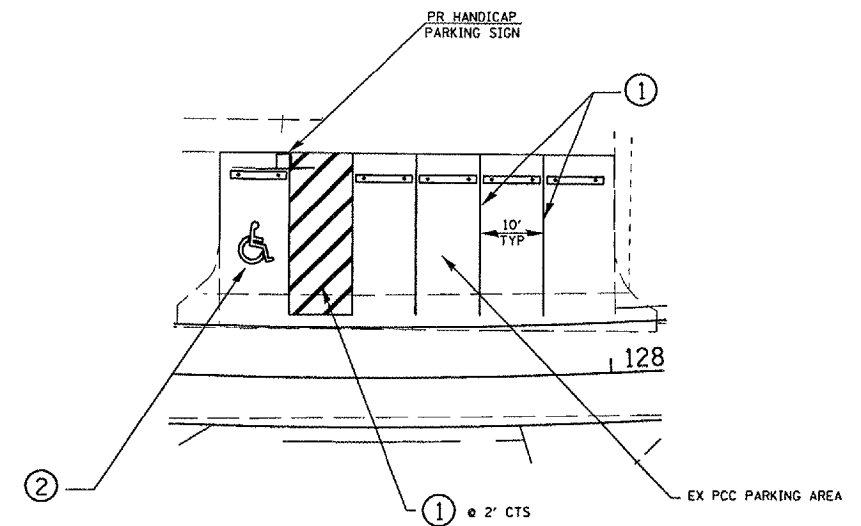
- ① PR PREF. PL. PAVT. MK - LINE 5" (YELLOW)
- ② PR PREF. PL. PAVT. MK - L&S (HANDICAP PARKING SYMBOL-YELLOW)



RV NO. 4



RV NO. 3



REVISIONS	
NAME	DATE

ILLINOIS DEPARTMENT OF TRANSPORTATION

PARKING AREA DETAILS
RV CAMPGROUND ROAD

SCALE: VERT. DATE
HORIZ. DRAWN BY: BDK
CHECKED BY: JCN

PLOT DATE = 8/24/2005
 PLOT SCALE = 271.8732 / IN
 REFERENCE = #REF*