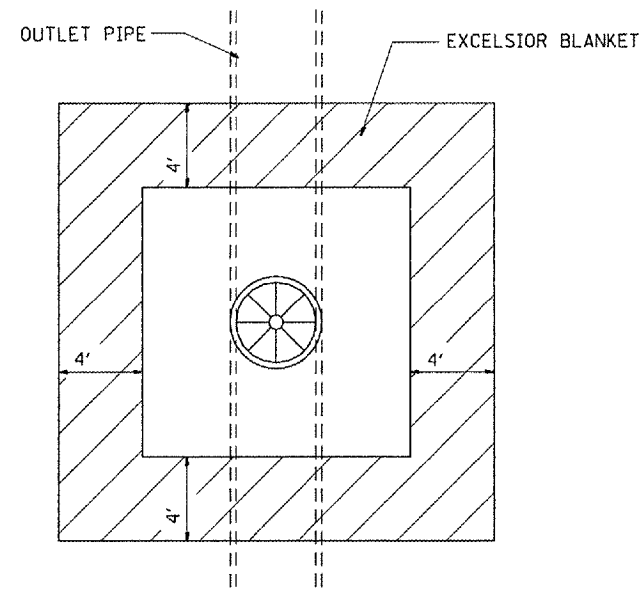
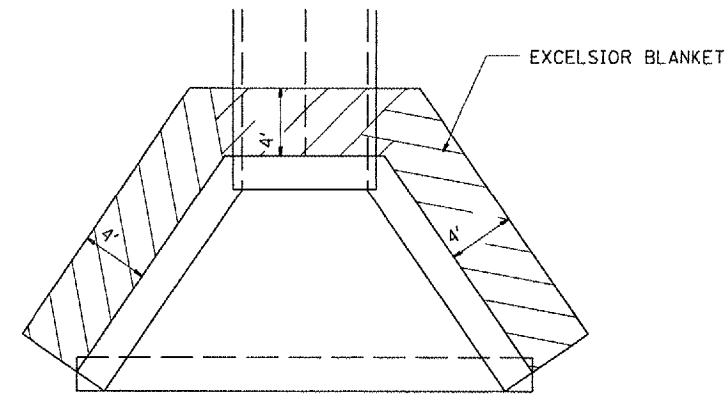


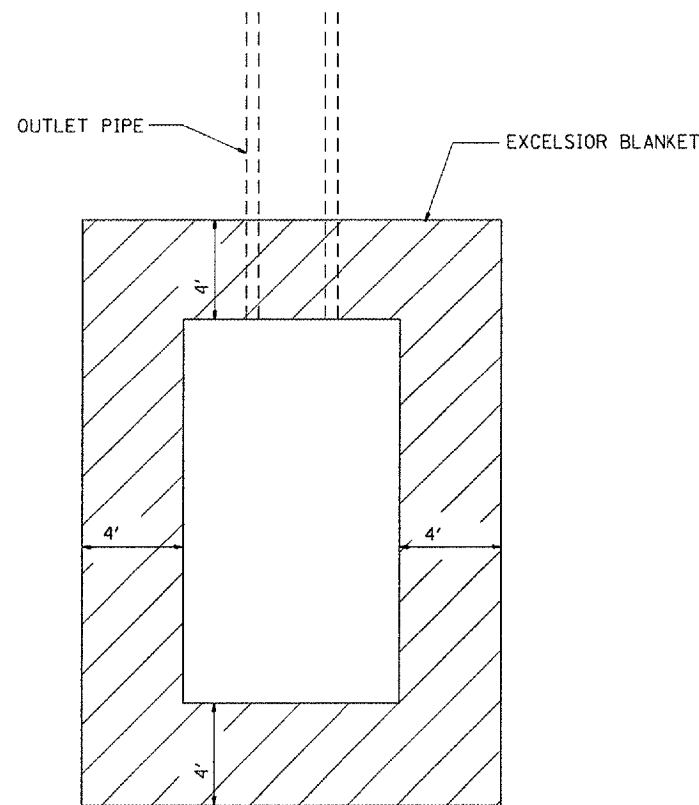
F.A. RTE.	SECTION	COUNTY	TOTAL SHEETS	SHEET NO.
*	**	SCHUYLER	139	77
STA.		TO STA.		
FED. ROAD DIST. NO.		ILLINOIS FED. AID PROJECT		
* OTHER ROUTE 1 (WEINBERG KING STATE PARK)				
** WEIN KING ST. PK. INT RDS 2				



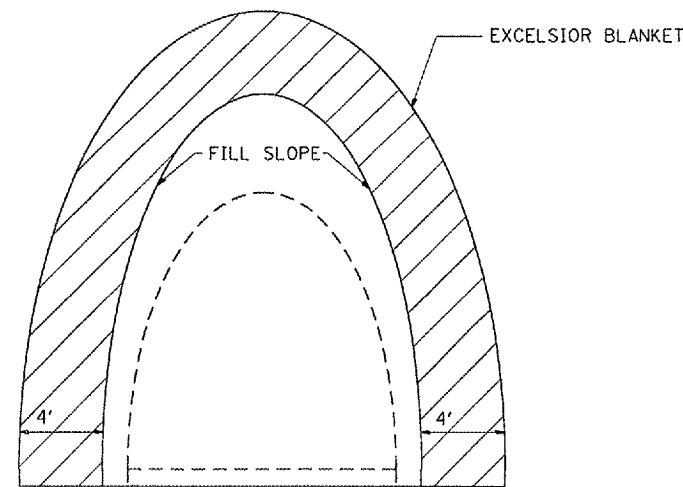
EXCELSIOR BLANKET AROUND
MANHOLE, TYPE A
W/TYPE 1 FRAME, CLOSED LID



EXCELSIOR BLANKET AROUND
HEADWALLS & CULVERT WINGWALLS



EXCELSIOR BLANKET AROUND
HEADWALL FOR PIPE UNDERDRAIN
STD 601101



EXCELSIOR BLANKET AROUND
FLARED END SECTION
STD 542301

REVISIONS	
NAME	DATE

ILLINOIS DEPARTMENT OF TRANSPORTATION
**HEAVY DUTY EXCELSIOR BLANKET
DETAILS**

SCALE: VERT. DRAWN BY
 HORIZ. CHECKED BY
DATE