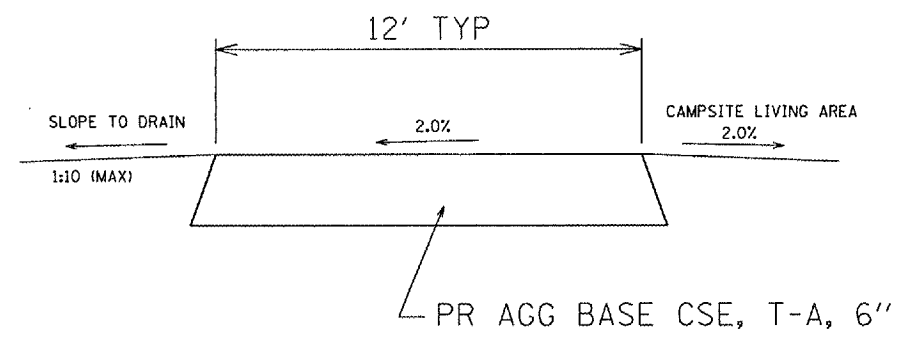
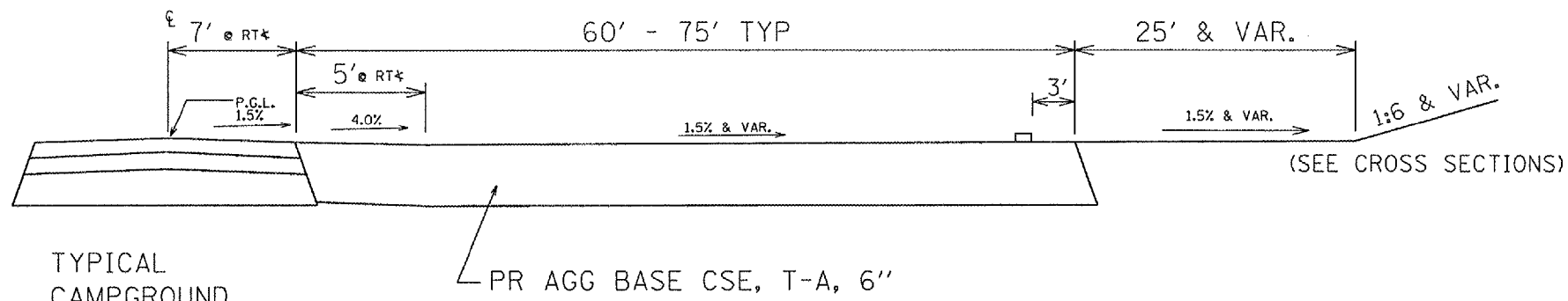


F.A. RTE.	SECTION	COUNTY	TOTAL SHEETS	SHEET NO.
*	**	SCHUYLER	139	82
STA.		TO STA.		
FED. ROAD DIST. NO.		ILLINOIS	FED. AID PROJECT	
* OTHER ROUTE (WEINBERG KING STATE PARK)				
** WEINBERG KING ST PK INT RDS 2				



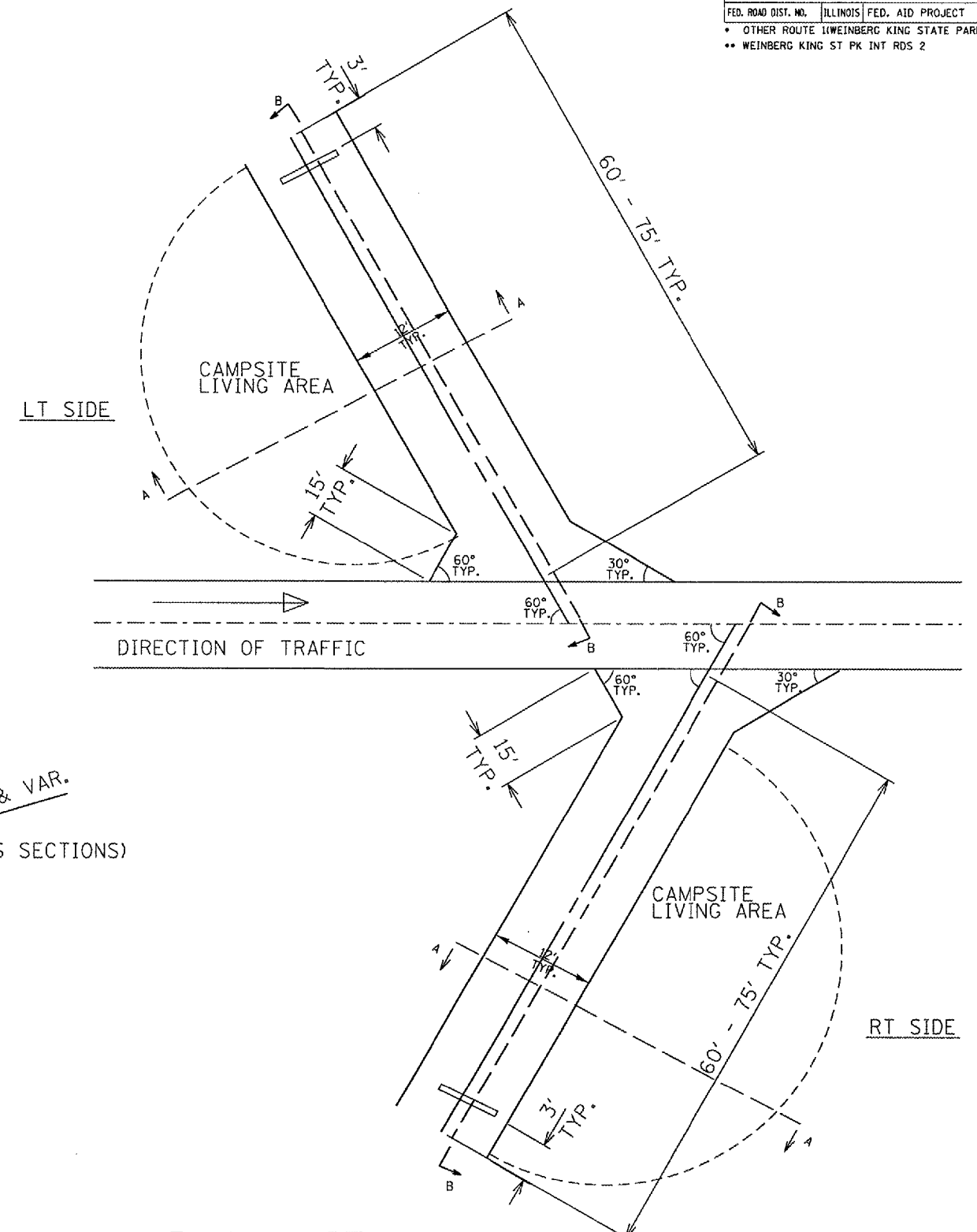
SECTION A-A



TYPICAL
CAMPGROUND
ROAD
(SEE TYPICAL
SECTIONS)

SECTION B-B

NOTE: SEE PLAN SHEETS FOR VARIATIONS IN LAYOUT (AS DIMENSIONED) AND LOCATION. TYPICAL CROSS-SECTION SHALL BE CONSISTANT.



PLAN VIEW
TYPICAL CAMP PADS

ILLINOIS DEPARTMENT OF TRANSPORTATION
CAMP PAD DETAILS
WEINBERG KING STATE PARK

SCALE: _____ DRAWN BY: BDK
DATE: _____ CHECKED BY: _____

IGN-SPEC
DATE-TIME
*REF01