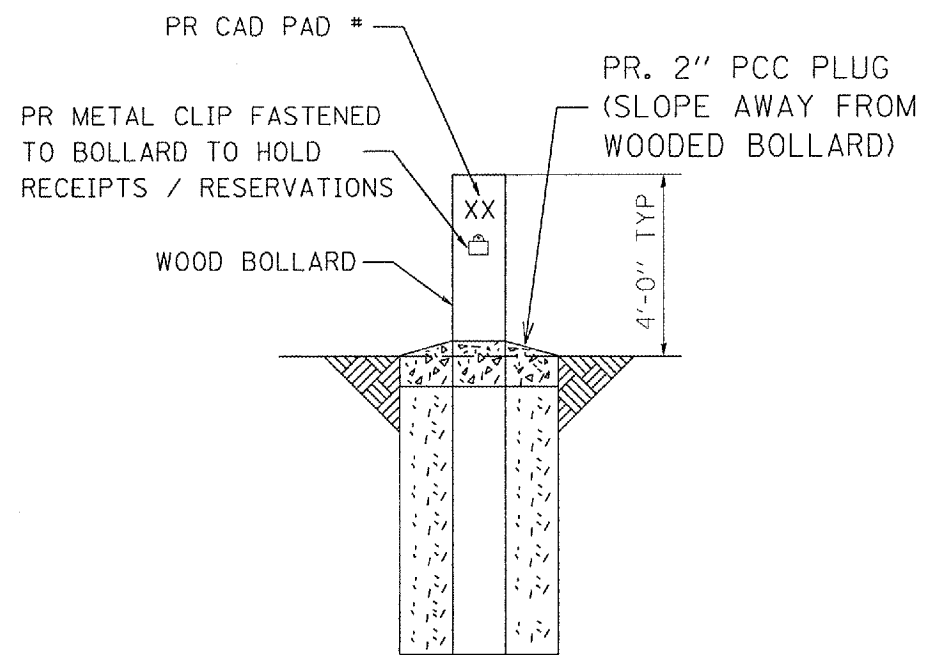
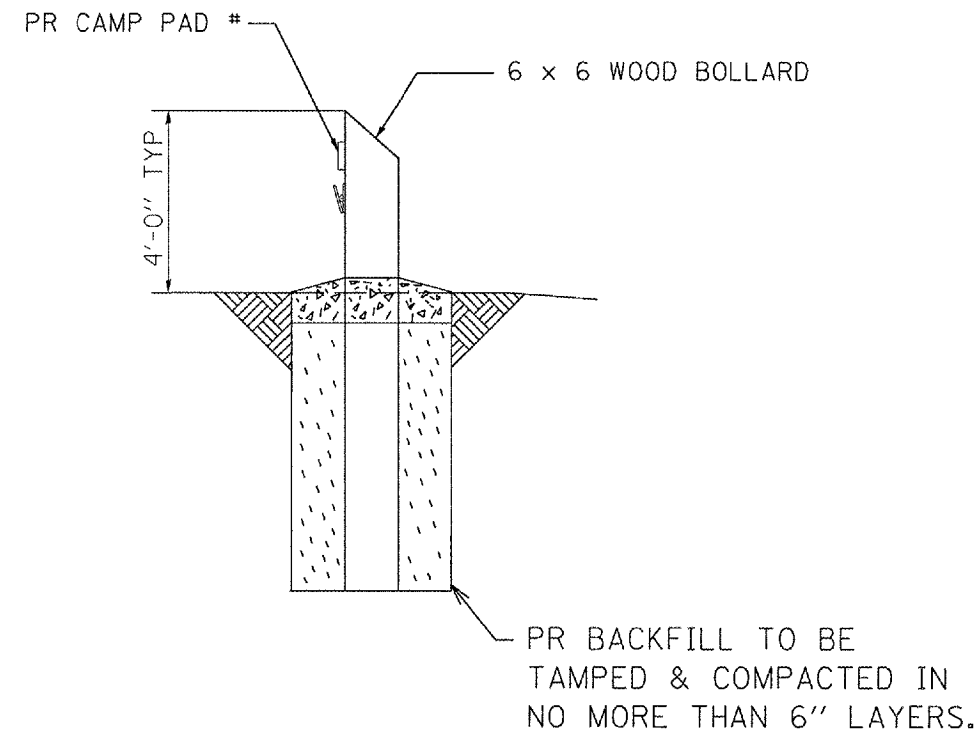


F.A. RTE.	SECTION	COUNTY	TOTAL SHEETS	SHEET NO.
*	**	SCHUYLER	139	83
STA.		TO STA.		
FED. ROAD DIST. NO.		ILLINOIS	FED. AID PROJECT	
* OTHER ROUTE 1(WEINBERG KING STATE PARK)				
** WEINBERG KING ST PK INT RDS 2				

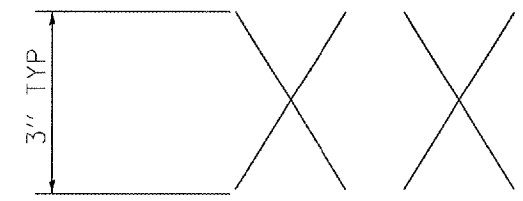
TOPS OF BOLLARDS SHOULD BE SLOPED SO WATER DRAINS OFF



FRONT ELEVATION VIEW



SIDE ELEVATION VIEW



PAD NUMBERS
(ROUTED OUT OR METAL NUMBERS ACCEPTABLE WITH BLACK LETTERS)

 PCC

ILLINOIS DEPARTMENT OF TRANSPORTATION

CAMP PAD MARKERS
WEINBERG KING STATE PARK

SCALE: _____ DATE: _____

DRAWN BY: BDK
CHECKED BY: _____

OGN-SPEC
DATE-TIME
*REF 01