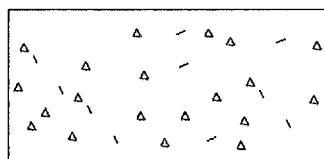
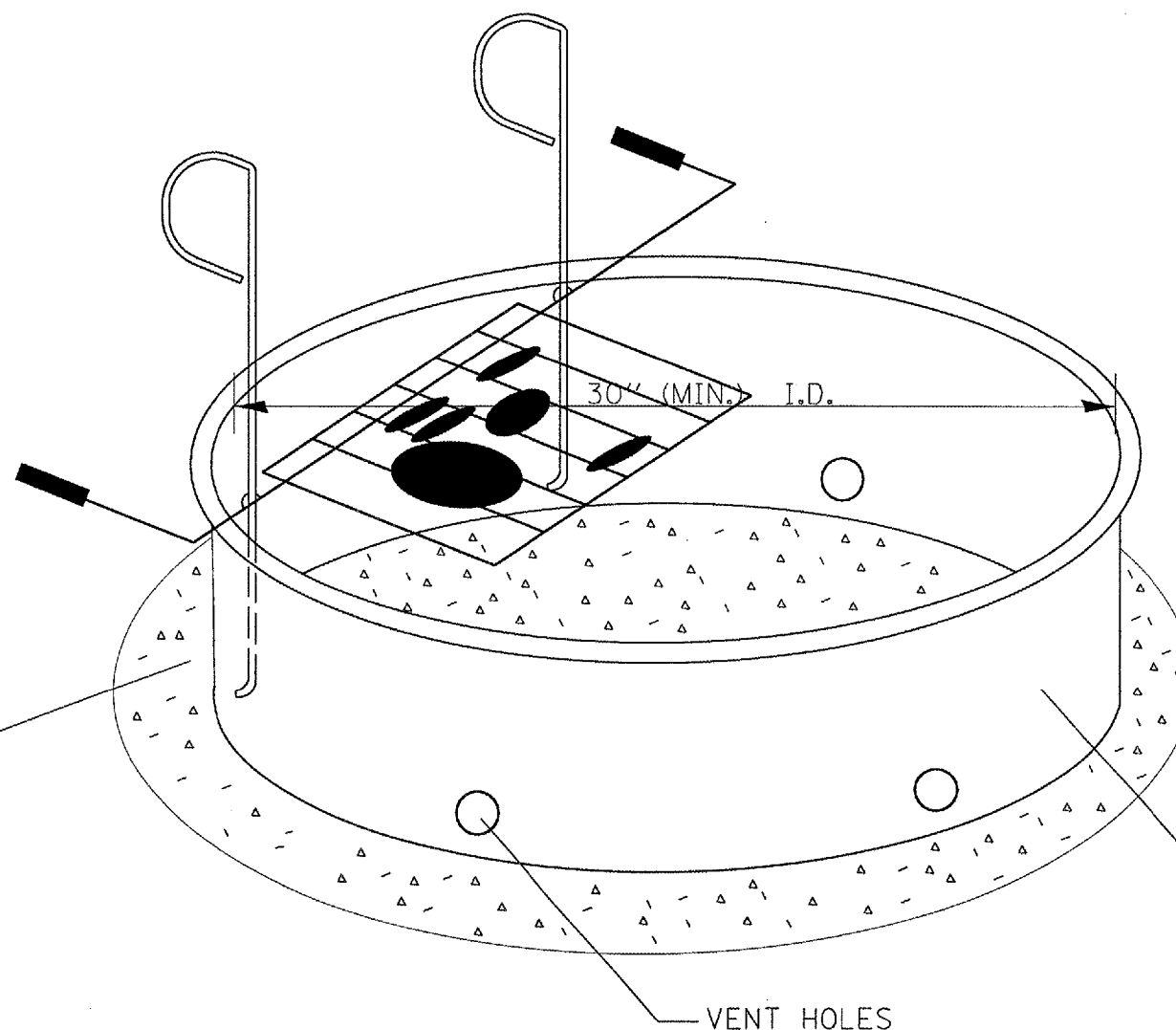


F.A. RTE.	SECTION	COUNTY	TOTAL SHEETS	SHEET NO.
*	**	SCHUYLER	139	85
STA.		TO STA.		
FED. ROAD DIST. NO.	ILLINOIS	FED. AID PROJECT		
* OTHER ROUTE 1(WEINBERG KING STATE PARK)				
** WEINBERG KING ST PK INT RDS 2				



PR AGGREGATE SURFACE COURSE, TYPE B, 4"
TO BE PLACED IN A 3' DIAMETER
UNDER THE CAMPFIRE RING WITH GRILL



1 - ADJUSTABLE GRILL,
MADE OF 3/4" Ø STEEL BARS,
FOR HANDLE, 5/8" Ø (MIN.)
STEEL PERIMETER BARS
1/2" Ø (MIN.) STEEL GRATE BARS
(2" MIN. SPACING)
250 SQ. IN. (MIN.) COOKING AREA,
ADJUSTABLE FROM TOP OF
FIRERING TO 6" (MIN.) HIGHER,
ABLE TO BE LIFTED AND TURNED
FOR STORAGE OUTSIDE OF RING
BUT PERMANENTLY ATTACHED.

HEIGHT
7" MIN - 11" MAX

2 - ANCHOR STAKES
(3/4" Ø x 30" L)
ATTACHING TO
STRAP METAL
WELDED TO
OUTER WALL OF
FIRE RING TO
ALLOW FIRE RING
TO BE TIPPED UP
FOR EASY CLEANING

VENT HOLES

PR METAL FIRE RING
(STEEL PLATE 3/16" MIN. THICKNESS
W/ 1" - WIDE FLANGE
AROUND THE OP EDGE)

TOP OF THE AGGREGATE SHOULD BE FLUSH WITH THE EXISTING GRADE.
EXCAVATION IS INCIDENTAL TO THE CAMPFIRE RING WITH GRILL
DIRT SHOULD BE EXCAVATED FROM THE SITE AND THEN BACKFILLED W/ 4" OF AGG.

ILLINOIS DEPARTMENT OF TRANSPORTATION

CAMPFIRE RING WITH GRILL
WEINBERG KING STATE PARK

SCALE:
DATE:

DRAWN BY: BDK
CHECKED BY: ZSH

DGN-SPEC
DATE-TIME
*REF01