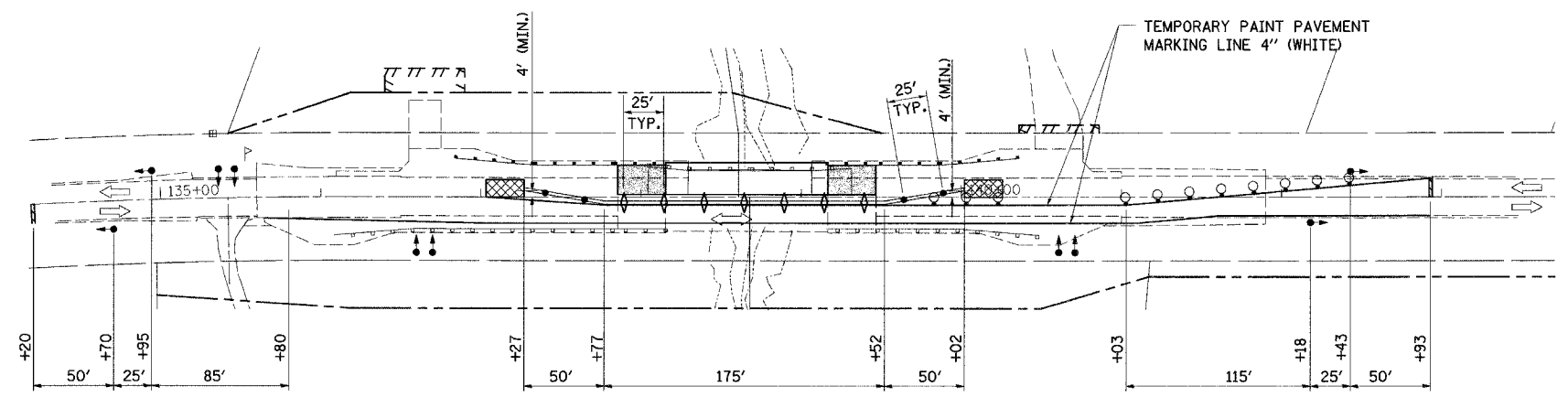
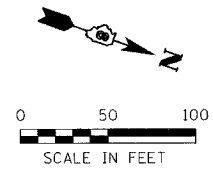
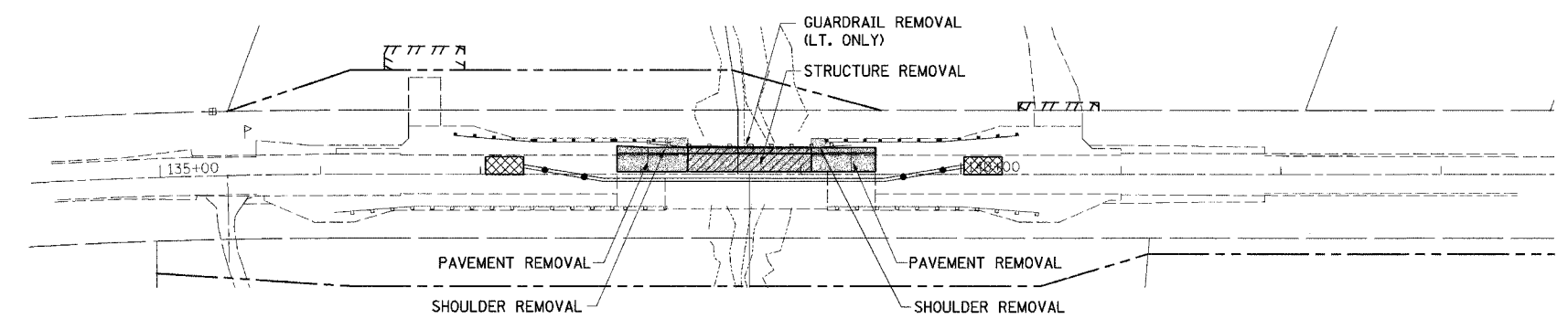


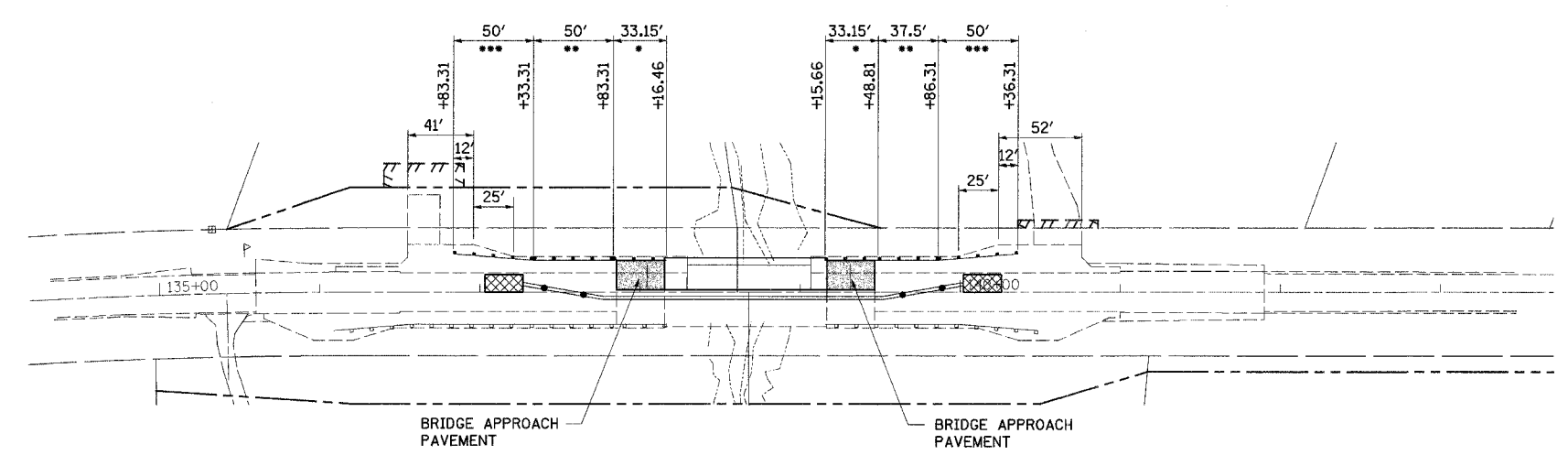
F.A.P. RTE.	SECTION	COUNTY	TOTAL SHEETS	SHEET NO.
609	...	ST. CLAIR	46	14
STA.	TO STA.			
FED. ROAD DIST. NO.	ILLINOIS	FED. AID PROJECT		
*** SEC. 76-3BR				
CONTRACT NO. 76268				



TRAFFIC CONTROL



REMOVAL SCHEMATIC



CONSTRUCTION SCHEMATIC

STAGE II
SEQUENCE OF OPERATIONS

1. INSTALL TEMPORARY CONCRETE BARRIERS AND DRUMS USING TRAFFIC CONTROL AND PROTECTION STANDARDS 701006 AND 701201. ALL OTHER ITEMS AS PER THESE DETAILS AND AS PER LANE CLOSURE 2L, 2W, BRIDGE REPAIR WITH BARRIER STANDARD 701321 AND TRAFFIC CONTROL AND PROTECTION STANDARD 701201. BEGIN OPERATING UNDER STAGE II TRAFFIC CONDITIONS.
2. REMOVE ALL ITEMS SUCH AS PORTION OF TEMPORARY SHEET PILING, EXISTING PAVEMENT, AGGREGATE SHOULDERS, GUARDRAIL & TRAFFIC BARRIER TERMINALS, EXCAVATE, AND REMOVE REMAINING PORTION OF EXISTING STRUCTURE.
3. CONSTRUCT NEW PORTION OF PROPOSED STRUCTURE, BACKFILL, COMPACT, PAVEMENT & BITUMINOUS SHOULDERS.
4. REMOVE ALL TEMPORARY TRAFFIC CONTROL DEVICES, PLACE LEVELING BINDER, BITUMINOUS CONCRETE SURFACE COURSE, STEEL PLATE BEAM GUARDRAIL, TRAFFIC BARRIER TERMINALS, STRIPING, FINISH GRADING AND SEEDING. ALL OF THIS WORK WILL BE DONE IN ACCORDANCE WITH STANDARDS 701306, 701311, AND 702001.

LEGEND

- STRUCTURE REMOVAL
- PAVEMENT REMOVAL AND PATCHING
- BITUMINOUS SURFACE REMOVAL (BUTT JOINT)
- TYPE III BARRICADE WITH FLASHING LIGHTS
- TRAFFIC SIGNALS
- DRUM WITH STEADY BURNING LIGHT
- STOP LINE 24"
- IMPACT ATTENUATORS, RELOCATE (FULLY-REDIRECTIVE)
- DOUBLE VERTICAL PANEL
- TYPE C BIDIRECTIONAL REFLECTOR
- STEADY BURNING LIGHTS AND DOUBLE VERTICAL PANEL

ILLINOIS DEPARTMENT OF TRANSPORTATION
STAGE II CONSTRUCTION
 FAP RTE 609 (IL RTE. 163)
 SECTION 76-3BR
 ST. CLAIR COUNTY

REVISIONS	
NAME	DATE

SCALE: VERT. _____
 HORIZ. _____
 DATE 9/30/04

DRAWN BY: SUTHEARD
 DESIGNED BY: SUTHEARD
 CHECKED BY: COLBROOK

GREENE & BRADFORD, INC.
 CONSULTING ENGINEERS

COMPUTER FILE NO.
 STG163BR-2

PROJECT 02076
 6/30/05-MDS

PLAN	DATE
BY	
REVISIONS	
NO.	
DATE	
BY	
REVISIONS	
NO.	
DATE	
BY	

PROJ. FILE	DATE
BY	
REVISIONS	
NO.	
DATE	
BY	
REVISIONS	
NO.	
DATE	
BY	

FILE NAME: I:\PROJECTS\STG163BR\STG163BR.dwg
 PLOT SCALE: 1"=50'
 PLOT DATE: 8/7/05
 PLOT TIME: 4:00:23 PM
 OPERATOR: mds