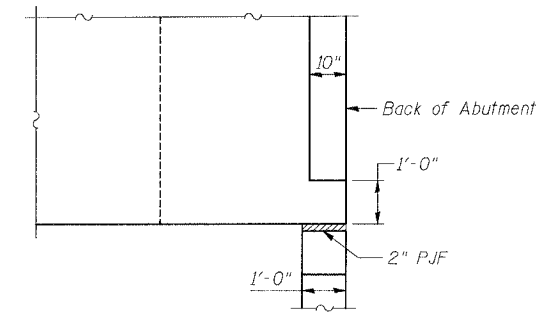
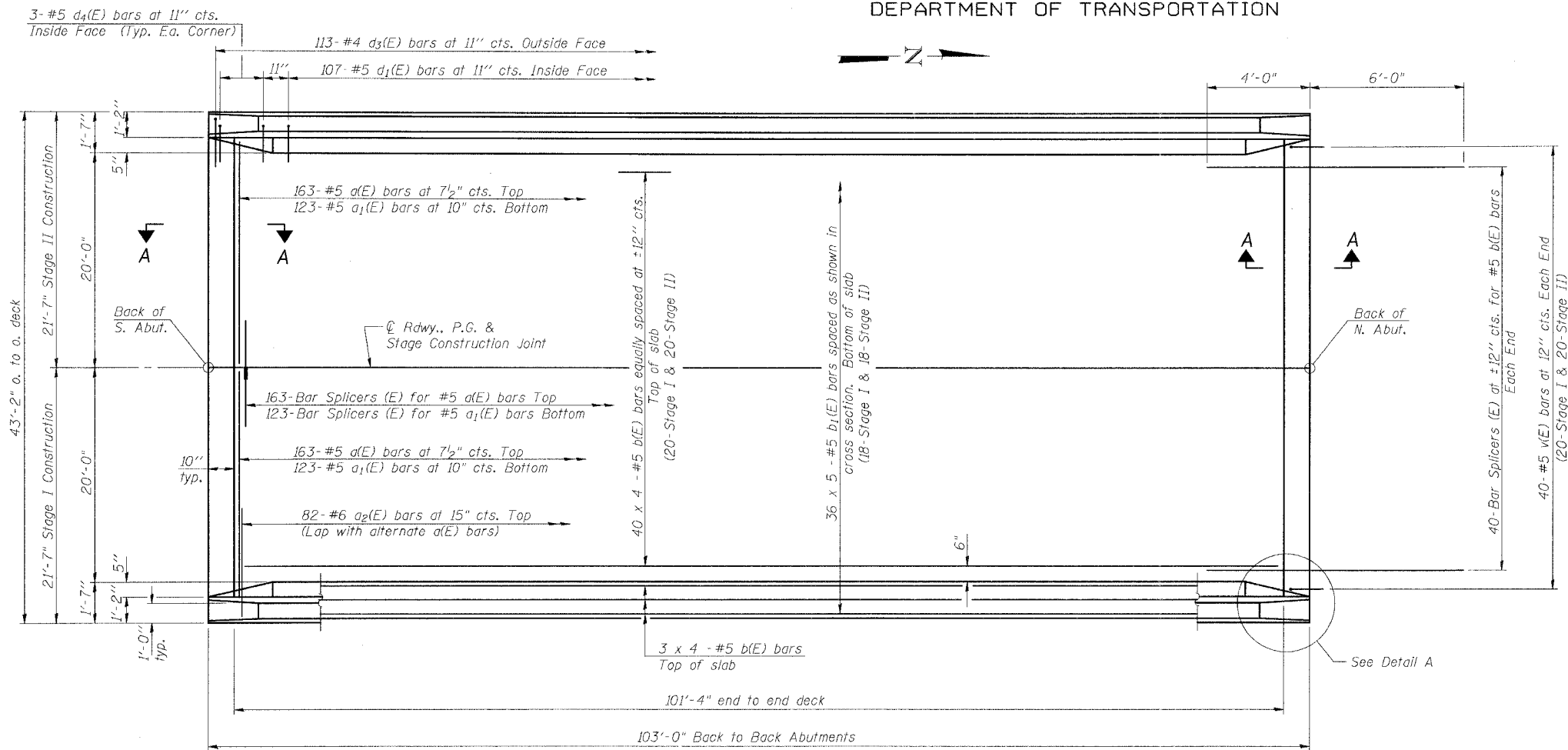


STATE OF ILLINOIS  
DEPARTMENT OF TRANSPORTATION

ROUTE NO.	SECTION	COUNTY	TOTAL SHEETS	SHEET NO.
FAP 609	*	ST. CLAIR	46	25
FED. ROAD DIST. NO.	ILLINOIS	FED. AID PROJECT		
			76-3BR	

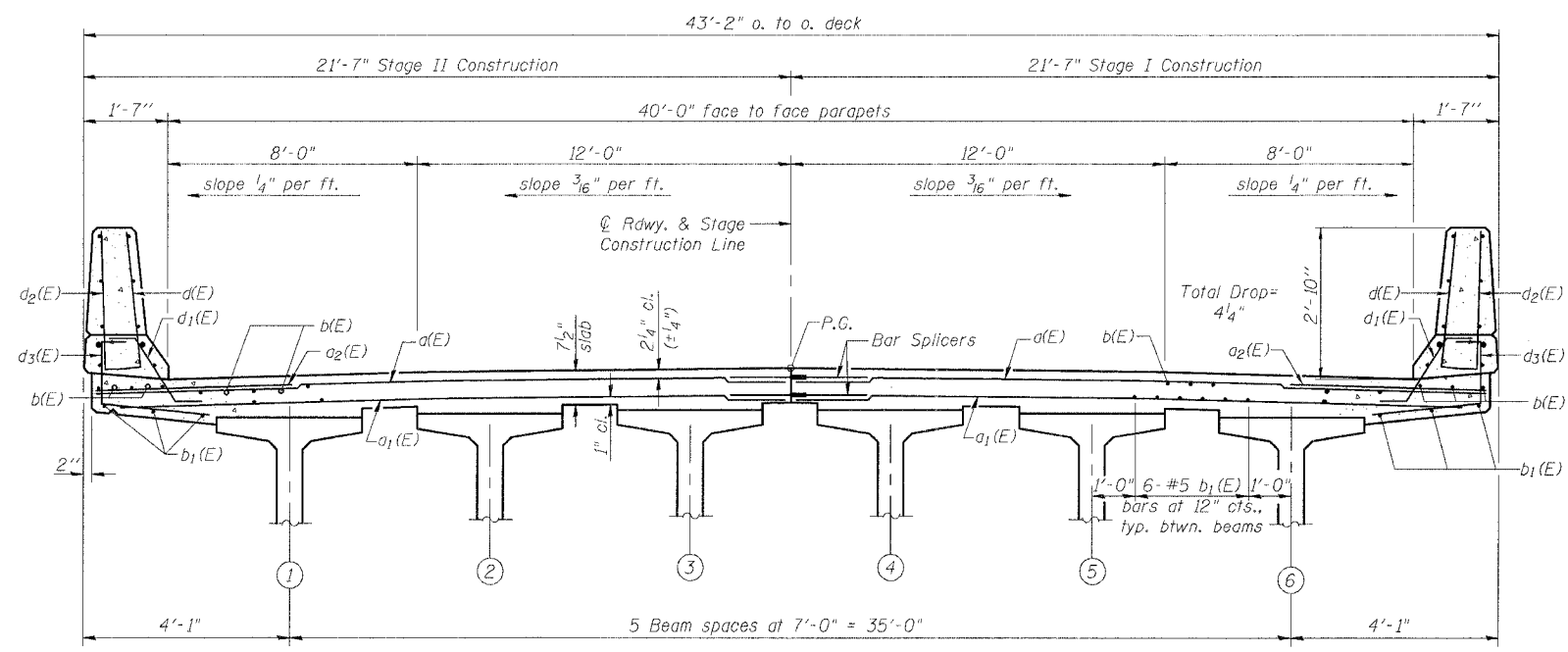
SHEET NO. 5  
15 SHEETS  
76268



**DETAIL A**  
(Parapet and approach not included)  
(Similar at all four corners)

**PLAN**

**MIN. BAR LAPS**  
#5 Bar = 1'-8"



**CROSS SECTION**  
(Looking North)

Notes:  
See sheet 6 of 15 for superstructure details and Bill of Material.  
For Section A-A and diaphragm details see sheet 7 of 15.  
Reinforcement bars designated (E) shall be epoxy coated.  
Bars indicated thus 20 x 3-#5 etc. indicates 20 lines of bars with 3 lengths per line.  
See sheet 6 of 15 for parapet reinforcement.

REVISIONS	
NAME	DATE

ILLINOIS DEPARTMENT OF TRANSPORTATION  
**SUPERSTRUCTURE**  
FAP RTE 609 (IL. 163) PRAIRIE DUPONT CR.  
SECTION 76-3BR  
ST. CLAIR COUNTY  
STA. 138+66.06  
S.N. 082-0305

SCALE: VERT.      DRAWN BY: LANDREY  
HORIZ.              DESIGNED BY: WATKINS  
DATE: 7/26/04      CHECKED BY: SANFORD

GREENE & BRADFORD, INC.  
OF SPRINGFIELD  
COMPUTER FILE NO.  
SN0820305.SPX  
PROJECT 02076  
4/28/05-MML

FILE NAME = I:\02076\dr\wings\sn082-0305\sn0820305\_spx.dgn  
PLOT SCALE = 1/8"=1'-0"  
PLOT LINE = 0.55, 0.55, 0.55  
OPERATOR = michellel

PBT-1-0 9-1-03