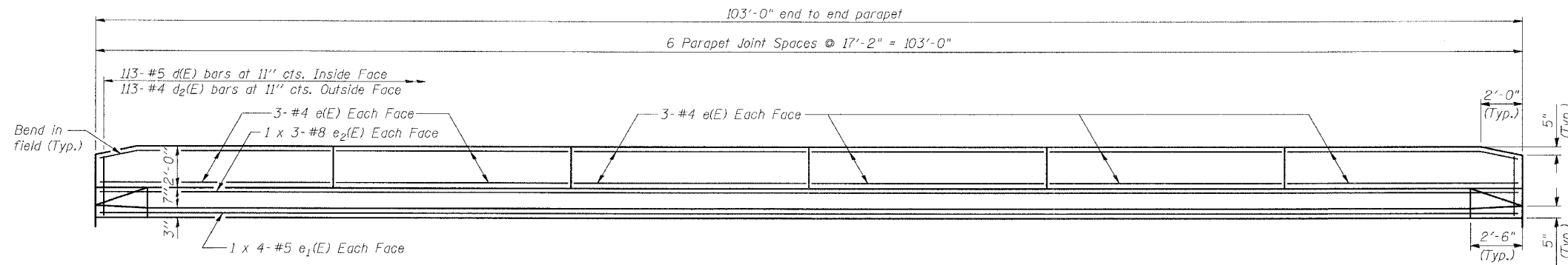


STATE OF ILLINOIS  
DEPARTMENT OF TRANSPORTATION

ROUTE NO.	SECTION	COUNTY	TOTAL SHEETS	SHEET NO.
FAP 609	*	ST. CLAIR	46	26
FED. ROAD DIST. NO.	ILLINOIS	FED. AID PROJECT		
				76268

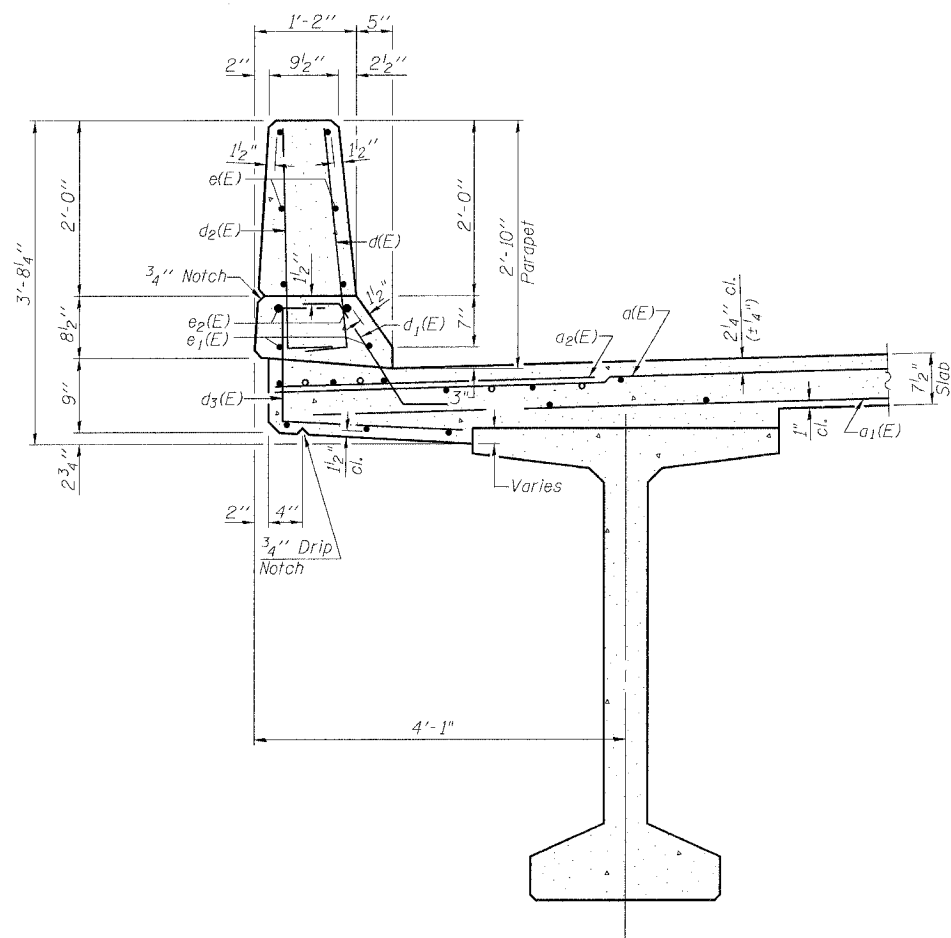
15 SHEETS  
# 76-3BR



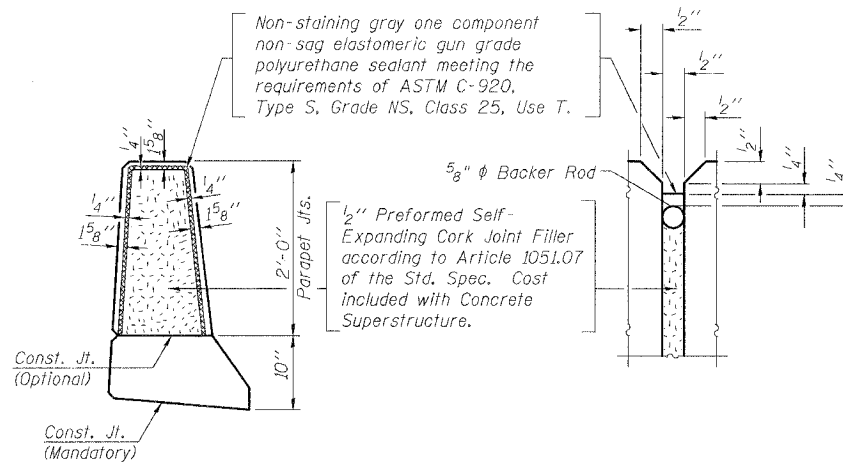
INSIDE ELEVATION OF PARAPET

MIN. BAR LAP

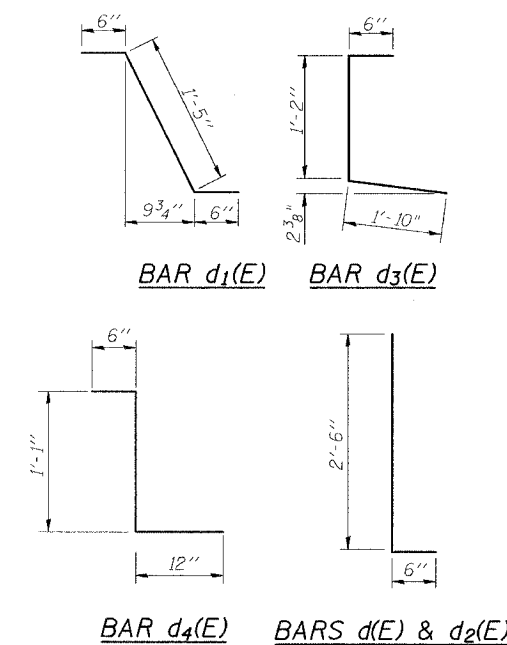
#5 bars = 1'-8"  
#8 bars = 3'-5"



SECTION THRU PARAPET



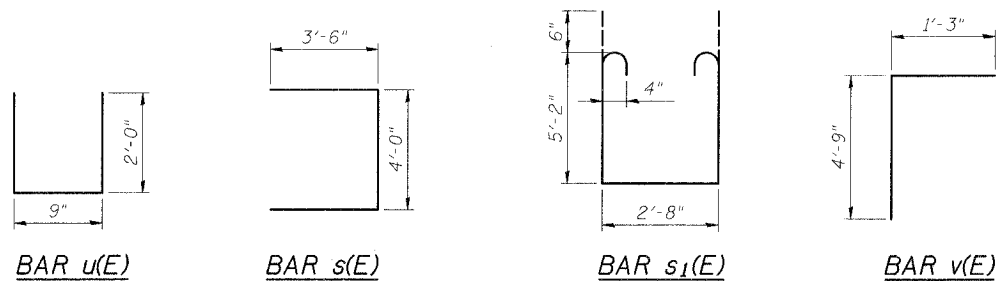
PARAPET JOINT DETAILS



SUPERSTRUCTURE  
BILL OF MATERIAL

Bar	No.	Size	Length	Shape
d(E)	326	#5	21'-2"	—
d1(E)	246	#5	20'-9"	—
d2(E)	164	#6	6'-6"	—
b(E)	184	#5	26'-7"	—
b1(E)	180	#5	21'-7"	—
d(E)	226	#5	3'-0"	┌
d1(E)	214	#5	2'-5"	┌
d2(E)	226	#4	3'-0"	┌
d3(E)	226	#4	3'-6"	┌
d4(E)	12	#5	2'-7"	┌
e(E)	72	#4	16'-11"	—
e1(E)	16	#5	27'-0"	—
e2(E)	12	#8	36'-7"	—
m(E)	32	#6	21'-2"	—
m1(E)	36	#6	8'-11"	—
m2(E)	16	#6	5'-4"	—
m3(E)	8	#6	2'-11"	—
m4(E)	8	#6	2'-7"	—
s(E)	72	#5	11'-0"	┘
s1(E)	52	#4	14'-0"	┘
u(E)	84	#5	4'-9"	┘
v(E)	80	#5	6'-0"	┘
Reinforcement Bars, Epoxy Coated			Lbs.	31,900
Concrete Superstructure			Cu. Yds.	202.3

Reinforcement bars designated (E) shall be epoxy coated.



REVISIONS	
NAME	DATE

ILLINOIS DEPARTMENT OF TRANSPORTATION  
**SUPERSTRUCTURE DETAILS**  
FAP RTE 609 (IL. 163) PRAIRIE DUPONT CR.  
SECTION 76-3BR  
ST. CLAIR COUNTY  
STA. 138+66.06  
S.N. 082-0305

SCALE: VERT.      DRAWN BY: LANDREY  
HORIZ.            DESIGNED BY: WATKINS  
DATE: 7/26/04      CHECKED BY: SANFORD

GREENE & BRADFORD, INC.  
CONSULTING ENGINEERS  
OF SPRINGFIELD

COMPUTER FILE NO.  
SN0820305\_SD  
PROJECT 02076  
4/28/05-MML

FILE NAME = J:\02076\civ\wings\sm082-0305\van0820305\_sd.dgn  
PLOT SCALE = 1/8"=1'-0"  
PLOT LINE = 0.5/32"=1/64"  
OPERATOR = MICHELE