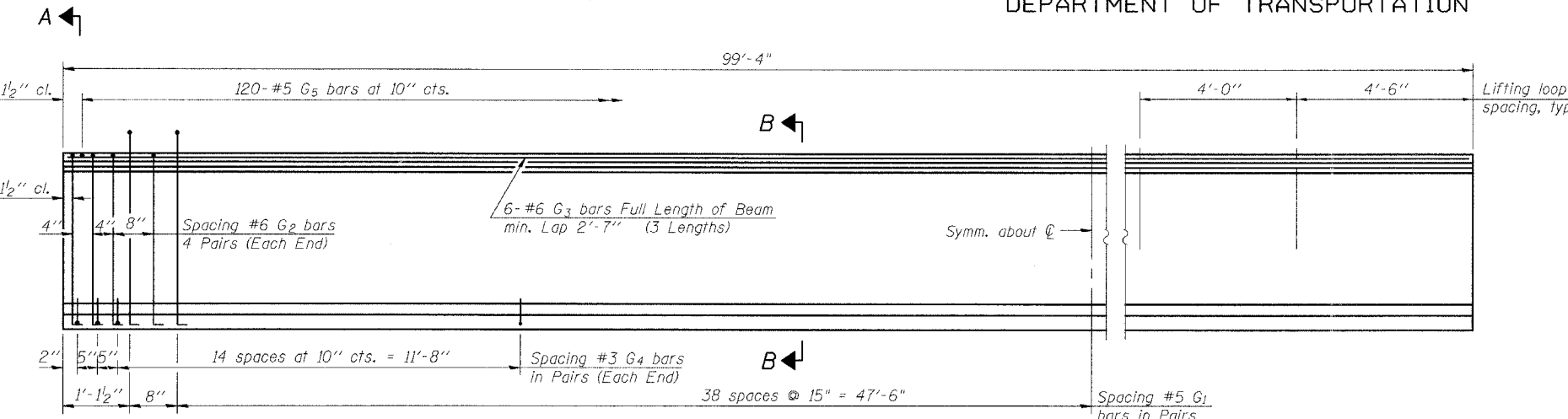
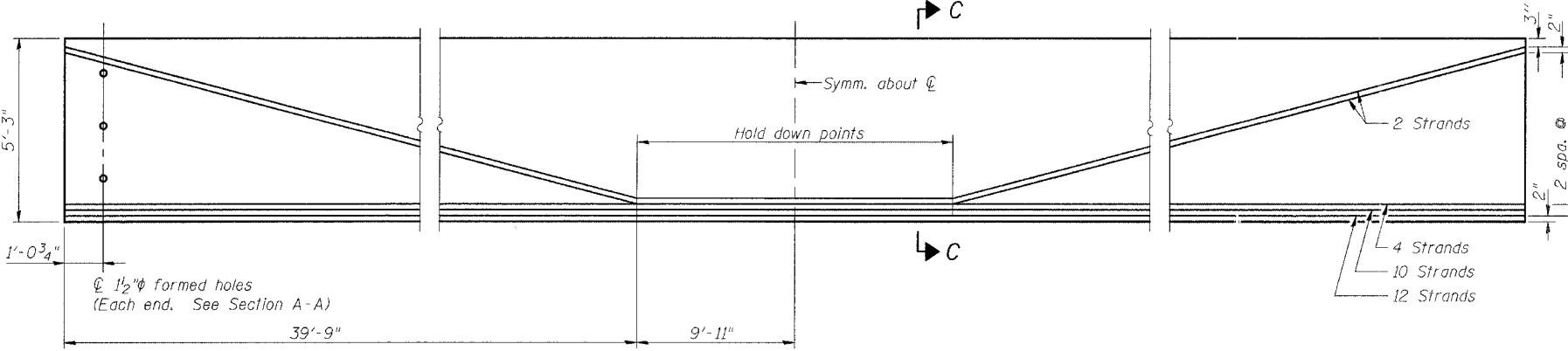


**STATE OF ILLINOIS
DEPARTMENT OF TRANSPORTATION**

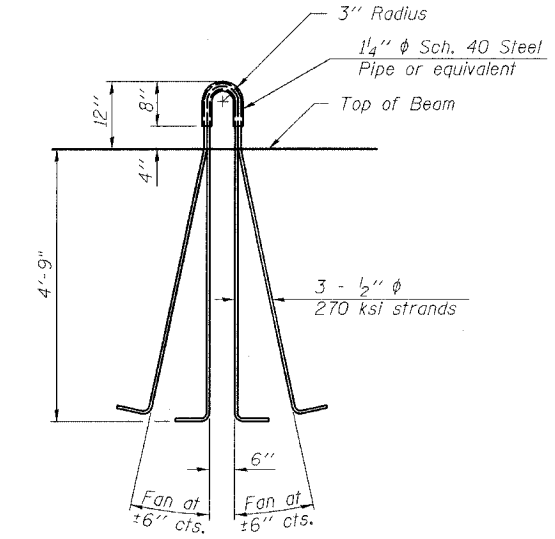
ROUTE NO.	SECTION	COUNTY	LISTED MILES	SHEET NO.	SHEET NO. 9 15 SHEETS 76268
FAP 609	*	ST. CLAIR	46	29	
FED. ROAD DIST. NO.	ILLINOIS	FED. AID PROJECT-			



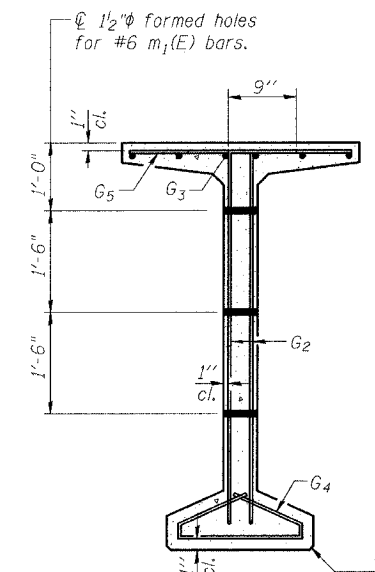
ELEVATION OF BEAM
(Showing Reinforcement & Dimensions)



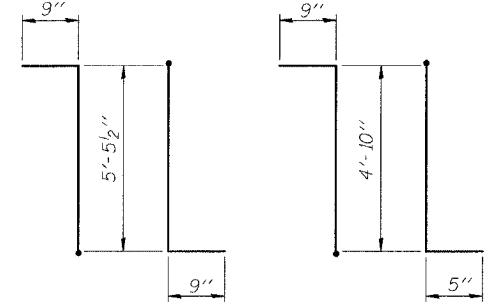
ELEVATION OF BEAM
(Showing Prestressing Steel)



LIFTING LOOP DETAIL

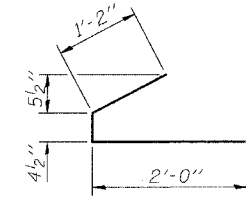


SECTION A-A

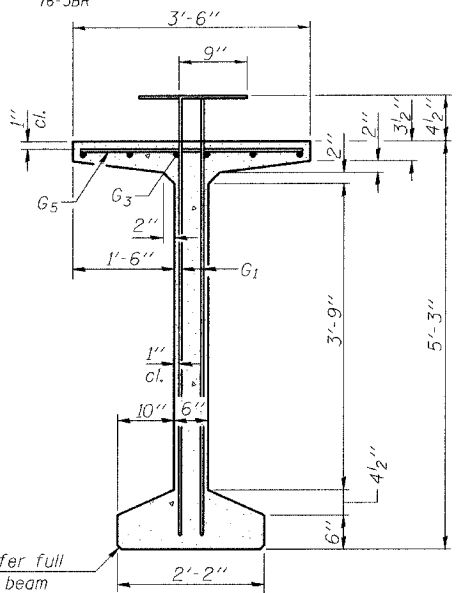


BAR G1

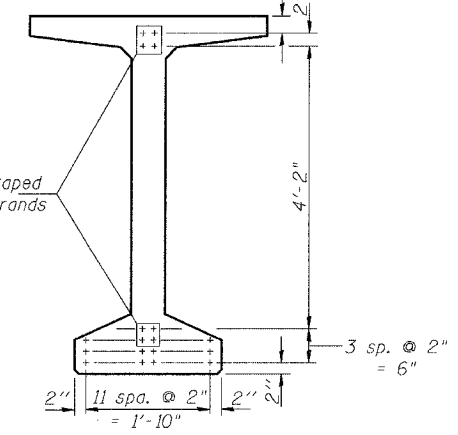
BAR G2



BAR G4



SECTION B-B



SECTION C-C

***BAR LIST**

Bar	No.	Size	Length	Shape
G1	160	#5	6'-11 1/2"	7L
G2	16	#6	6'-0"	7L
G3	18	#6	35'-0"	—
G4	68	#3	3'-6 1/2"	—
G5	120	#5	3'-4"	—

*For one beam only.

NOTES

Prestressing steel shall be uncoated high strength, low relaxation 7-wire strand, Grade 270.
The nominal diameter shall be 1/2" and the nominal cross-sectional area shall be 0.153 sq. in.
Non-prestressing steel shall conform to AASHTO designation M-31 or M 322, Grade 60.
A minimum 1/2" diameter lifting pin shall be used to engage the lifting loops during handling.
Required release strength, f'_{ci} , shall be 5000 psi.
Reinforcement bars designated (E) shall be epoxy coated.

BILL OF MATERIAL

Item	Unit	Total
Furnishing and Erecting Precast Prestressed Concrete Bulb T-Beams, 63"	Ft.	596

REVISIONS	
NAME	DATE

ILLINOIS DEPARTMENT OF TRANSPORTATION
BEAM DETAILS

FAP RTE 609 (IL. 163) PRAIRIE DU PONT CR.
SECTION 76-3BR
ST. CLAIR COUNTY
STA. 138+66.06
S.N. 082-0305

SCALE: VERT.
HORIZ.
DATE: 7/26/04

DRAWN BY: LANDREY
DESIGNED BY: WATKINS
CHECKED BY: SANFORD

COMPUTER FILE NO. SN0820305.BMD
PROJECT 02076
4/28/05-MML

FILE NAME = J:\02076 DRAWINGS\SN082-0305\SN0820305.BMD.dgn
PLOT SCALE = 1" = 10'-0"
PLOT DATE = 6/22/2005
PLOT TIME = 10:11 AM
OPERATOR = mcreiel