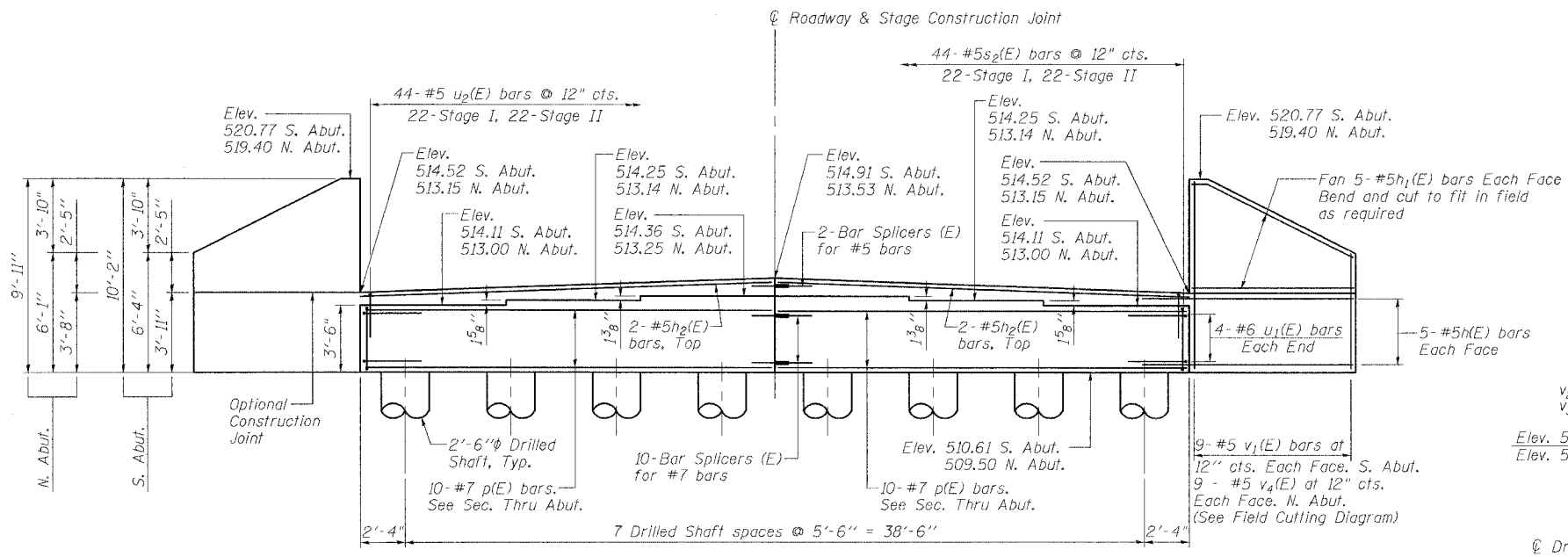
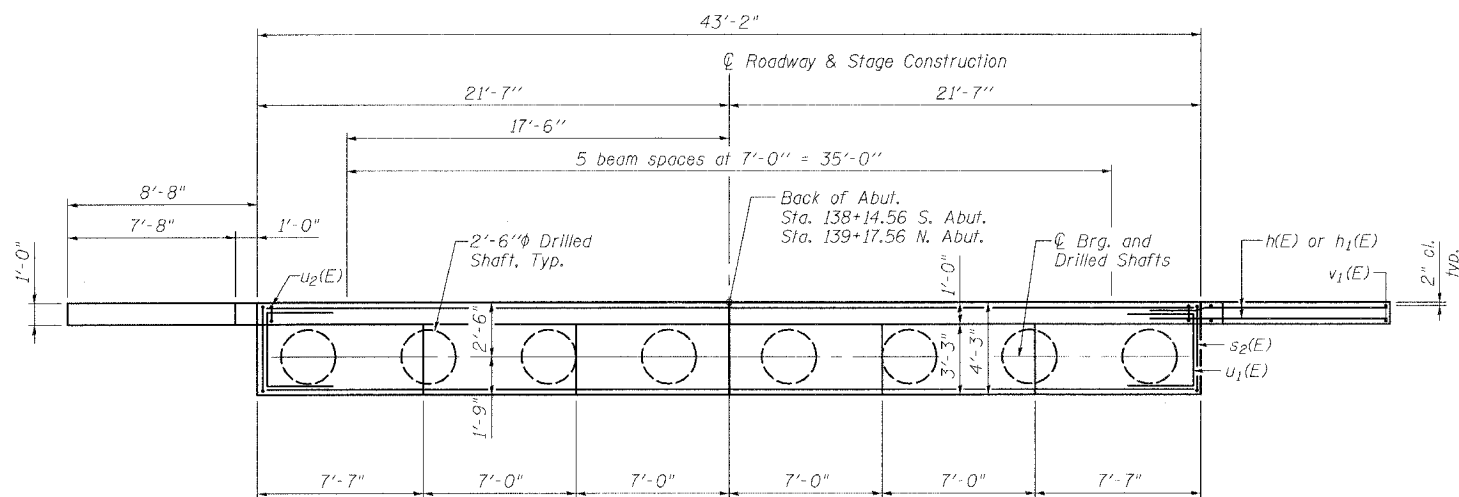


STATE OF ILLINOIS
DEPARTMENT OF TRANSPORTATION

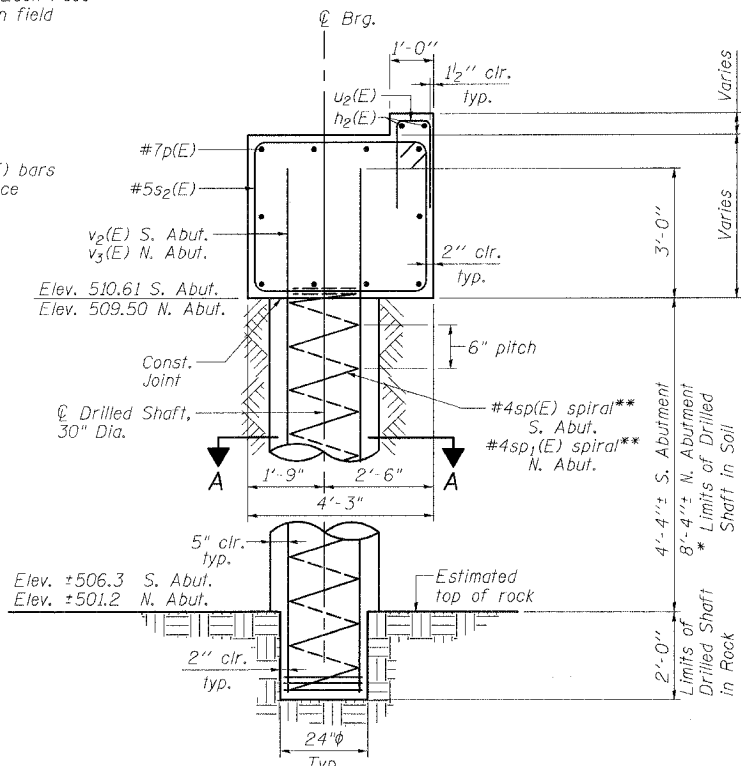
ROUTE NO.	SECTION	COUNTY	FELT'S SHEETS	SHEET NO.	SHEET NO. 11
FAP 609	*	ST. CLAIR	46	31	15 SHEETS
FED. ROAD DIST. NO.	ILLINOIS	FED. AID PROJECT	76268		
* 76-3BR					



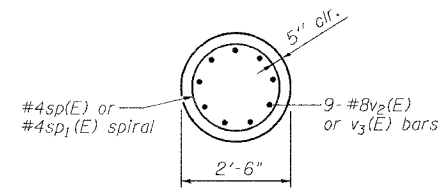
ELEVATION



PLAN



SECTION THRU ABUTMENT

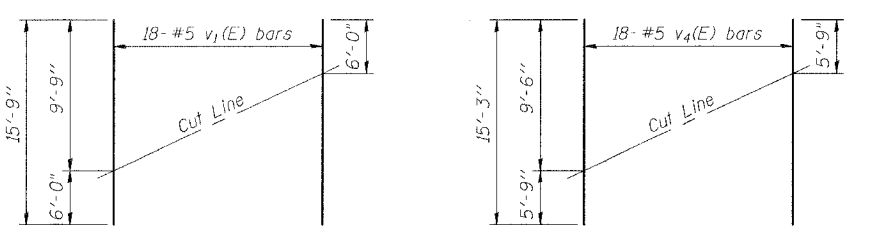
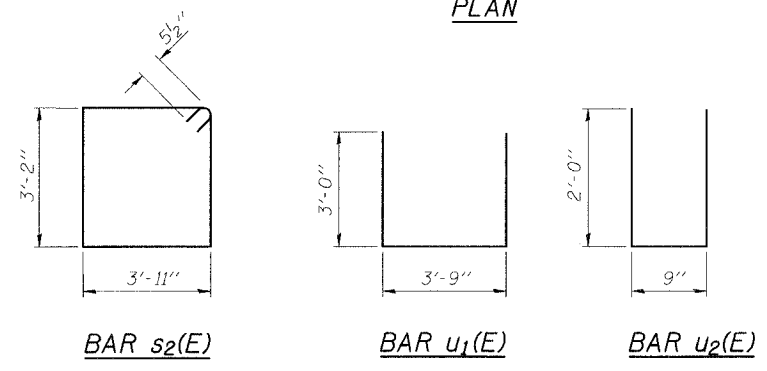


SECTION A-A

TWO ABUTMENTS
BILL OF MATERIAL

Bar	No.	Size	Length	Shape	
h(E)	40	#5	10'-10"	—	
h1(E)	40	#5	9'-2"	—	
h2(E)	8	#5	21'-3"	—	
p(E)	40	#7	21'-3"	—	
s2(E)	88	#5	15'-1"	□	
sp(E)	8	#4	6'-4"	⋈	
sp1(E)	8	#4	10'-4"	⋈	
u1(E)	16	#6	9'-9"	—	
u2(E)	88	#5	4'-9"	—	
v1(E)	18	#5	15'-9"	—	
v2(E)	72	#8	9'-2"	—	
v3(E)	72	#8	13'-2"	—	
v4(E)	18	#5	15'-3"	—	
Concrete Structures				Cu. Yd.	61.3
Reinforcement Bars, Epoxy Coated				Pound	10,730
Structure Excavation				Cu. Yd.	626
Drilled Shaft in Soil, 30" Dia.				Foot	100.9
Drilled Shaft in Rock, 24" Dia.				Foot	32.0

Notes: * The quantities and detailing are based on the estimated elevations shown on the plans. The actual elevations may differ at each shaft and corresponding adjustments shall be made to the drilled shaft and reinforcement quantities and payment limits.
** Provide 1/2 extra turns top and bottom of each drilled shaft. Extend spiral 2" into abutment cap. Provide min. 4-#4 spacers or equivalent.
*** Length is height of spiral.
Reinforcement bars designated (E) shall be epoxy coated.
Min. lap for spirals = 1 1/2 turns.



FIELD CUTTING DIAGRAM

Order v1(E) full length. Cut as shown and use remainder of bars in opposite face.

FIELD CUTTING DIAGRAM

Order v4(E) full length. Cut as shown and use remainder of bars in opposite face.

ILLINOIS DEPARTMENT OF TRANSPORTATION
ABUTMENTS
FAP RTE 609 (IL 163) PRAIRIE DuPONT CR.
SECTION 76-3BR
ST. CLAIR COUNTY
STA. 138+66.06
S.N. 082-0305

REVISIONS	
NAME	DATE

SCALE: VERT. HORIZ. DATE: 7/26/04
DRAWN BY: LANDREY
DESIGNED BY: WATKINS
CHECKED BY: SANFORD
COMPUTER FILE NO. SN0820305_AB
PROJECT 02076
4/28/05-MML

FILE NAME = J:\02076\drawings\asn082-0305\asn0820305_ab.dgn
PLOT SCALE = 1/8"=1'-0"
PLOT TIME = 06:54:14 AM
OPERATOR = MICHELLE