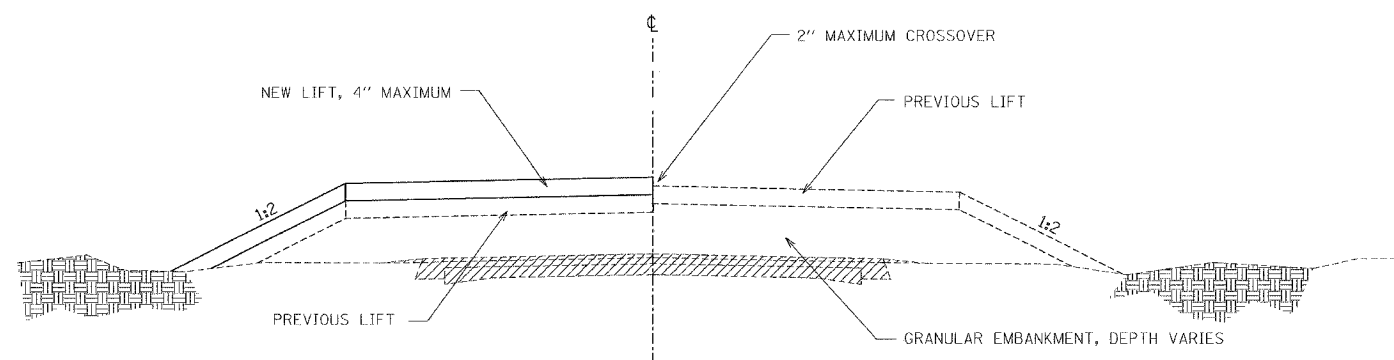


FAS NO.	SECTION	COUNTY	TOTAL SHEETS	SHEET NO.
754	4RS-2, 4BR	CALHOUN	87	21
STA.	TO STA.			

EXISTING CONDITIONS:
CONTRACT NO. 76269



TYPICAL GRANULAR EMBANKMENT CONSTRUCTION

STA. 3+76 TO 5+67
STA. 6+50 TO 11+82

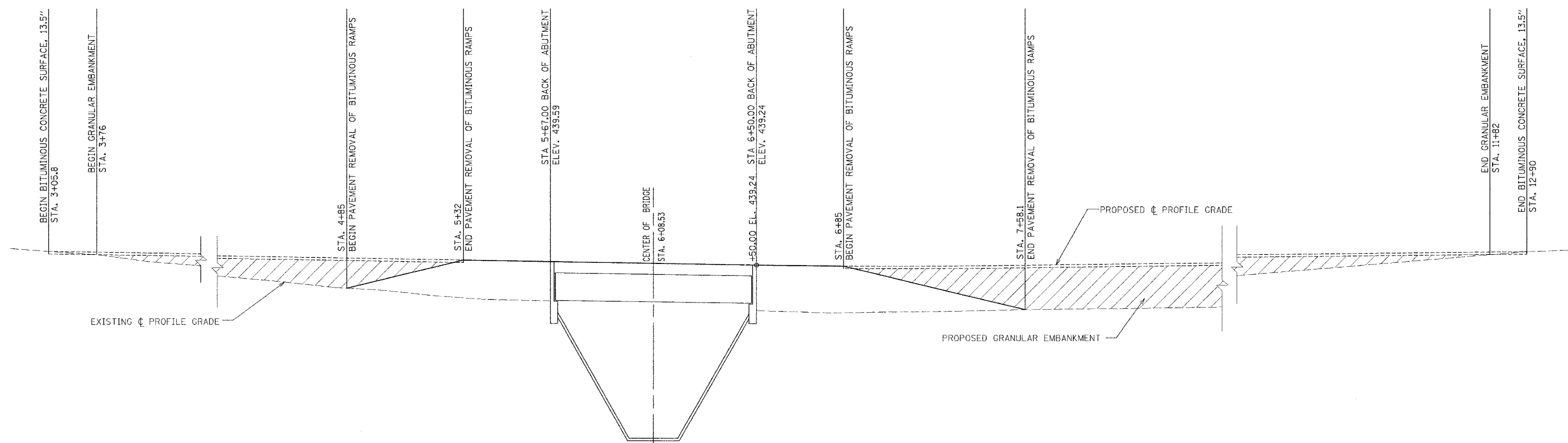
SEQUENCE OF CONSTRUCTION

In general, this project shall be stage constructed as follows:

- Standards
701301 Lane Closure 2L, 2W Short Time Operations
701501 Lane Closure 2L, 2W Undivided for Speeds < 45 MPH
702001 Traffic Control Devices

Stage III

1. Remove pavement constructed for temporary bituminous ramps.
2. Remove temporary sheetpile wall.
3. Complete granular embankment along entire project length. (use as temporary ramps at proposed structure prior to first lift of bituminous concrete).
4. Complete pavement removal under one-way traffic, by alternating traffic lane use. (use as temporary ramps at pavement removal areas prior to first lift of bituminous concrete).
5. Construct approach roadways (storm sewers, curb and gutter, bituminous binder course, etc.) on entire project as specified in the plans. Use temporary ramps for alternating bituminous lifts.
6. Install guardrail at the structure.
7. Remove signals, install pavement markings and open Park Street to two-way traffic.
8. Complete remaining items as specified in the plans.



TEMPORARY RAMP DETAIL
STAGE III CONSTRUCTION ONLY

* AGGREGATE TEMPORARY RAMP DURING GRANULAR EMBANKMENT CONSTRUCTION
BITUMINOUS CONCRETE RAMP DURING ROADWAY PAVING.

REVISIONS	
NAME	DATE

ILLINOIS DEPARTMENT OF TRANSPORTATION

STAGE III - GRANULAR EMBANKMENT CONSTRUCTION

F.A.S. 754 (PARK ST.)
SECTION 4RS-2, 4BR
CALHOUN COUNTY

DATE AUGUST, 2005

DRAWN BY WJS
CHECKED BY LLQ