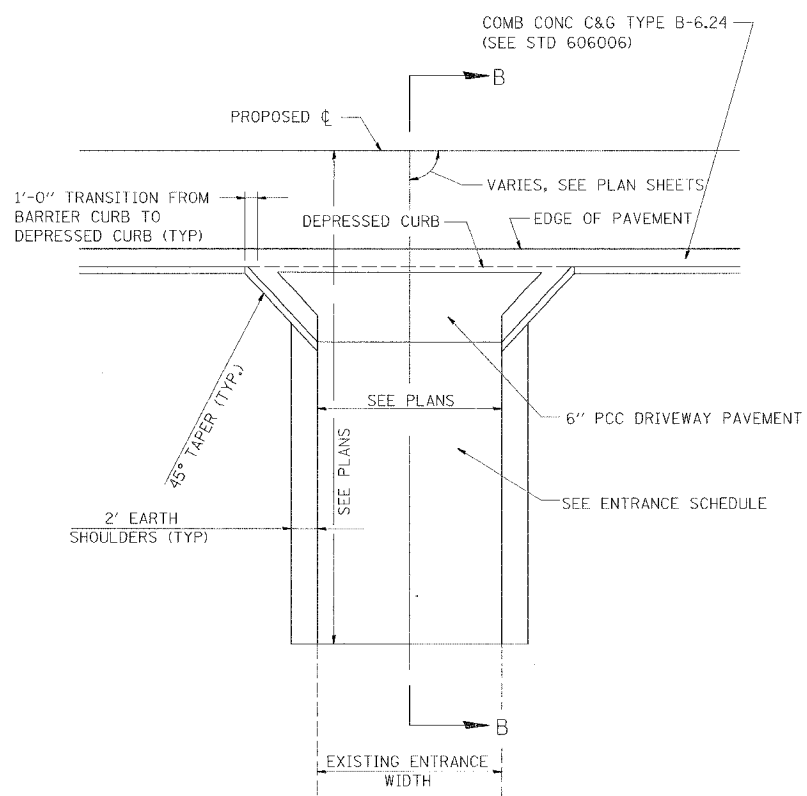


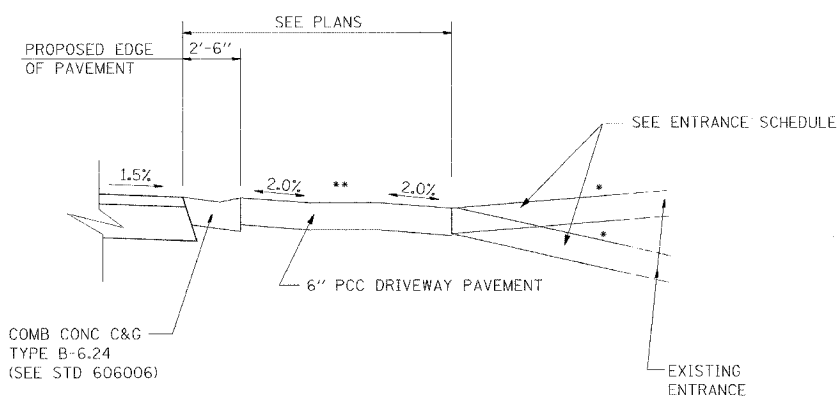
PLAN DETAIL

ENTRANCE WITH PCC SIDEWALK ADJACENT TO ROADWAY PAVEMENT WITH CONCRETE CURB & GUTTER TYPE B-6.24



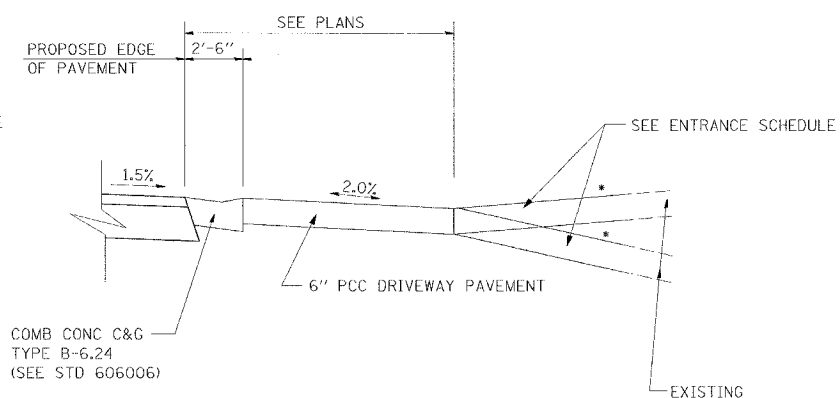
PLAN DETAIL

ENTRANCE ADJACENT TO ROADWAY PAVEMENT WITH CONCRETE CURB & GUTTER TYPE B-6.24



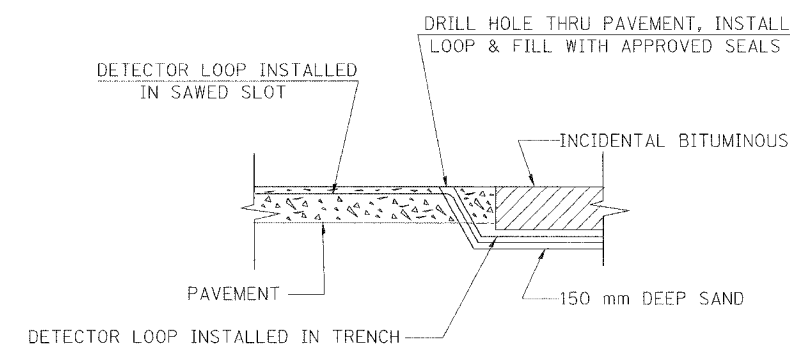
SECTION A-A

* SEE CROSS SECTIONS FOR SLOPE
 ** MATCH SIDEWALK SLOPE ACROSS ENTRANCE PER STANDARD 424001 MAX 2.0%



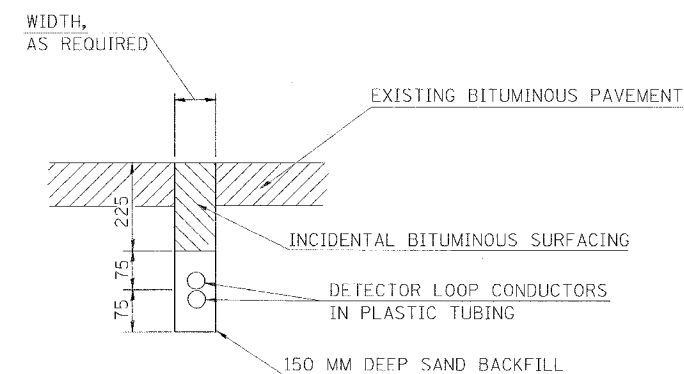
SECTION B-B

* SEE CROSS SECTIONS FOR SLOPE



NOTE:
 DETECTOR LOOP INSTALLED IN SAWED SLOT AND TRENCH INCIDENTAL TO PAY ITEM "DETECTOR LOOP".

DETAIL
 DETECTOR LOOP INSTALLED
 IN SAWED SLOT AND TRENCH
 (NO SCALE)



DETAIL
 DETECTOR LOOP INSTALLED IN TRENCH

REVISIONS	
NAME	DATE

ILLINOIS DEPARTMENT OF TRANSPORTATION

ENTRANCE DETAILS

FAS ROUTE 754 (PARK ST.)
 SECTION 4RS-2, 4BR
 CALHOUN COUNTY

DATE: SEPT., 2004

DRAWN BY: WJS
 CHECKED BY: MKC