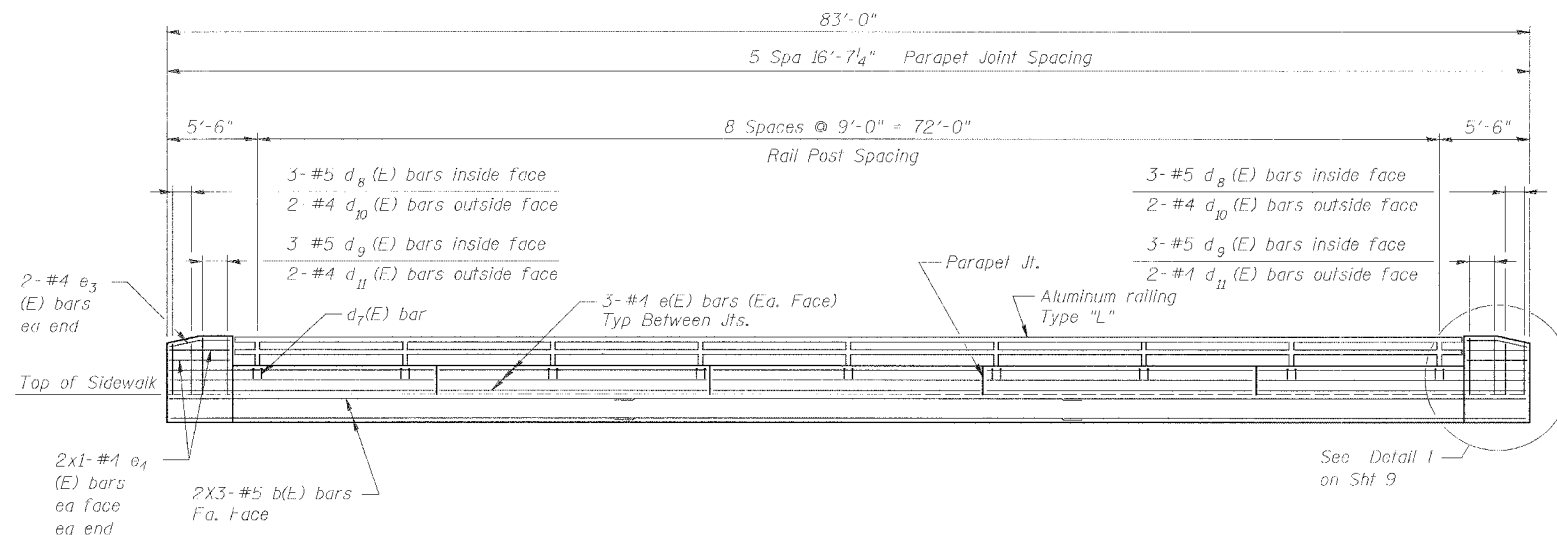


STATE OF ILLINOIS
DEPARTMENT OF TRANSPORTATION

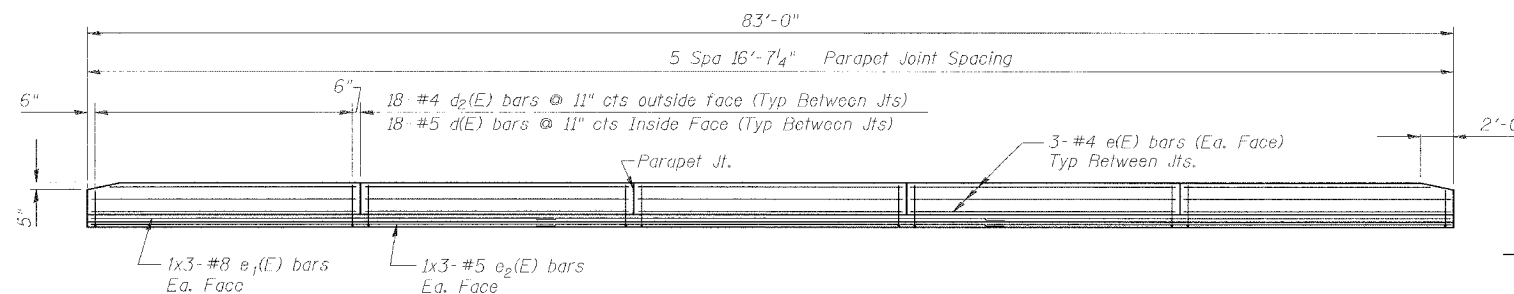
ROUTE NO.	SECTION	COUNTY	TOTAL SHEETS	SHEET NO.	SHEET NO. 8 20 SHEETS
F.A.S. 754	4RS-2, 4BR	CALHOUN	87	42	
FED. ROAD DIST. NO. 7	ILLINOIS	FED. AID PROJECT			

CONTRACT NO. 76269

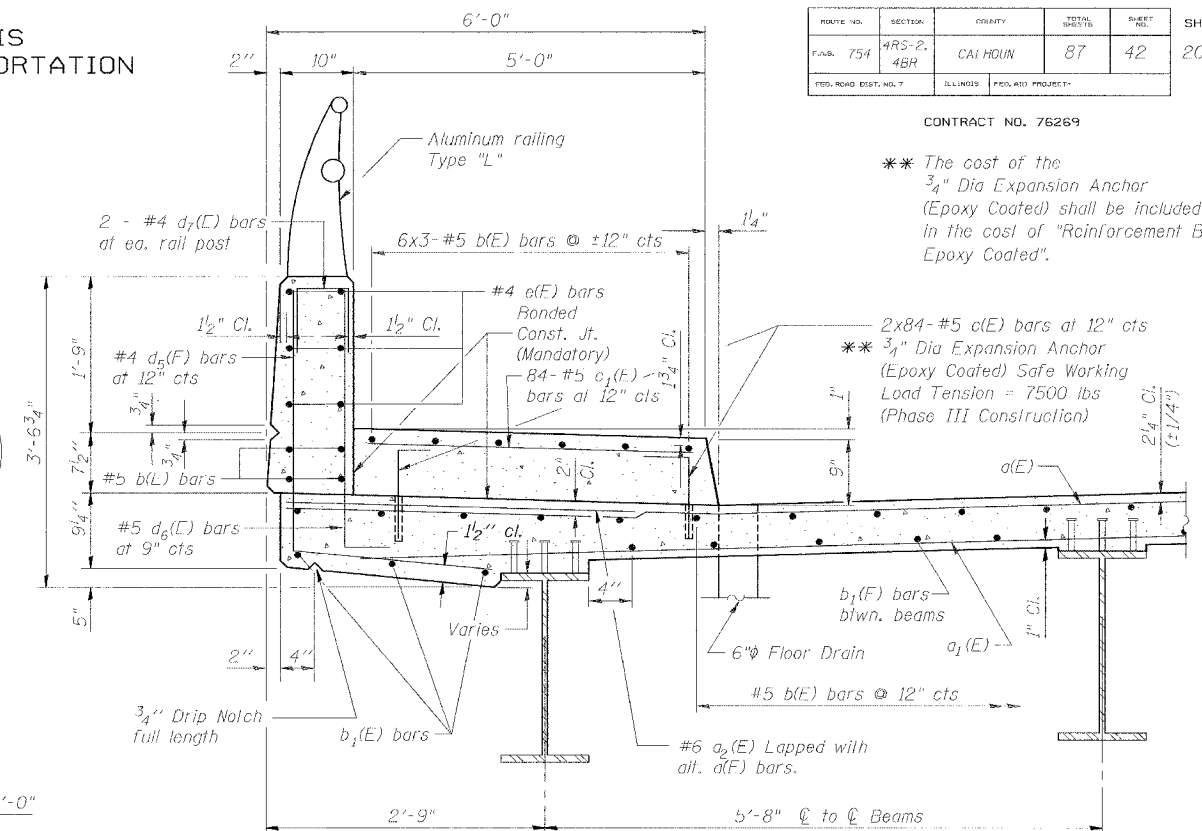
** The cost of the 3/4" Dia Expansion Anchor (Epoxy Coated) shall be included in the cost of "Reinforcement Bars, Epoxy Coated".



INSIDE ELEVATION OF WEST PARAPET



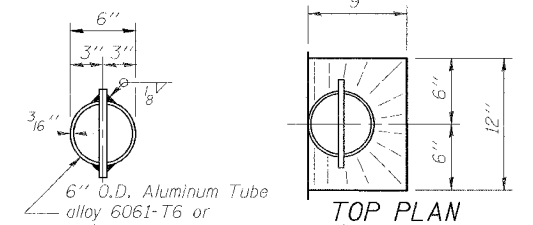
INSIDE ELEVATION OF EAST PARAPET



SECTION THRU SIDEWALK

MIN. BAR LAP

- #4 = 2'-0"
- #5 = 2'-6"
- #8 = 5'-5"



TOP PLAN

TOP PLAN (Showing Aluminum Tube)

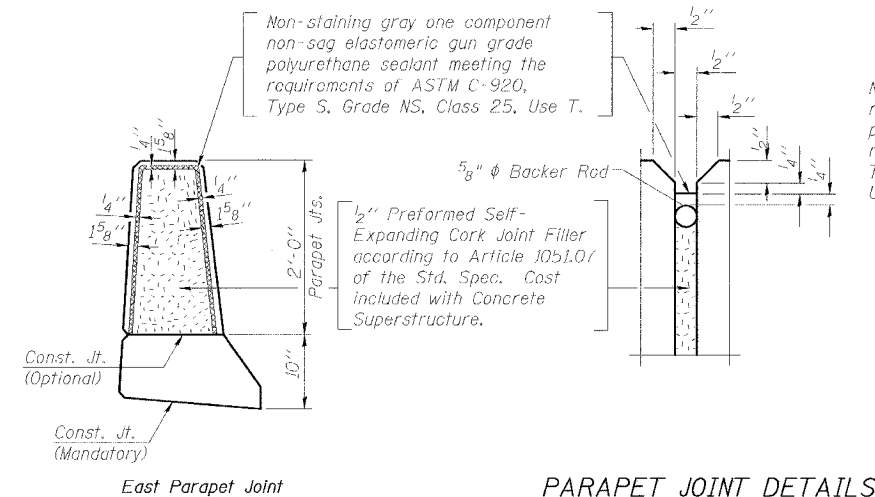
SECTION B-B

* Dimension as required by Pipe Clamp

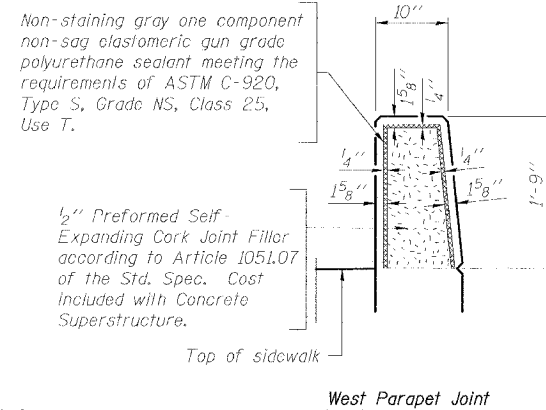
SUPERSTRUCTURE DETAILS
PARK STREET OVER
AN UNNAMED CREEK
F.A.S. ROUTE 754
SECTION 4RS-2, 4BR
CALHOUN COUNTY
ROADWAY STATION 6+08.50
STRUCTURE NO. 007-0026

Benton & Associates, Inc.

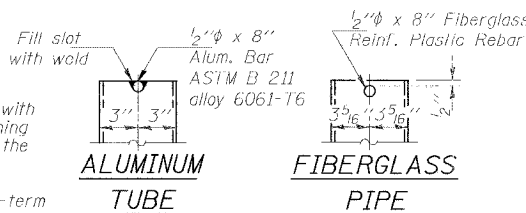
Consulting Engineers / Land Surveyors
1970 West Lafayette Avenue Jacksonville, Illinois 62650
Phone : 217-245-4146 Fax : 217-245-4149
IL Design Firm Registration No. 184-000852



PARAPET JOINT DETAILS



West Parapet Joint



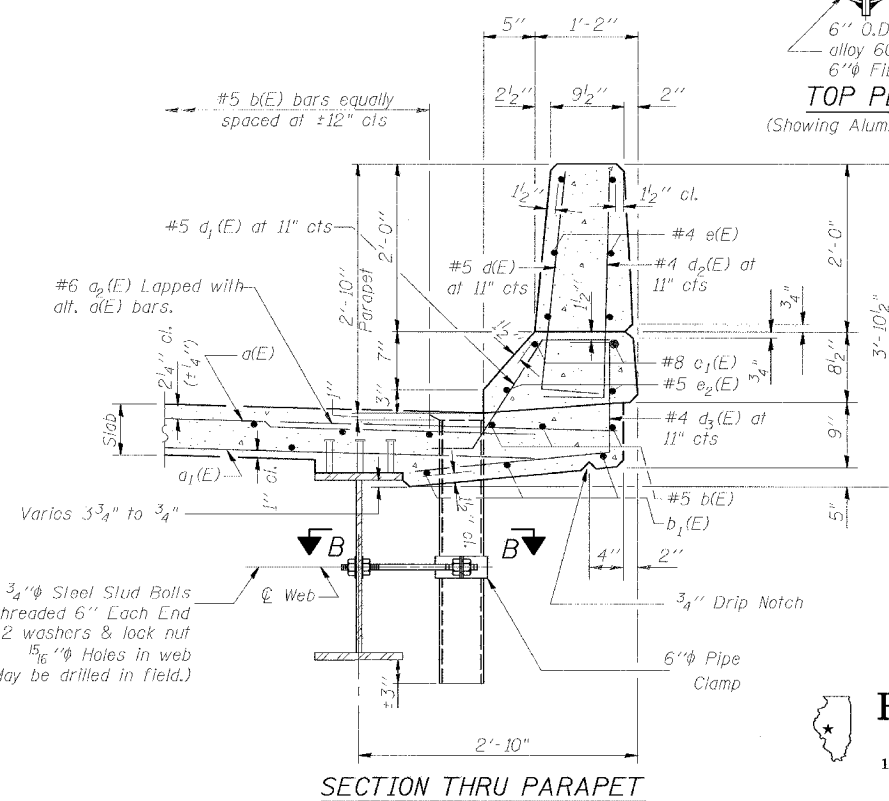
ALUMINUM TUBE

FIBERGLASS PIPE

DESIGNED	- L.E.L.
CHECKED	- REG
DRAWN	- M.T.L.
CHECKED	- L.E.L.

Notes:
The exterior surfaces of the floor drains shall be painted with the finish coat as specified in the special provisions for Cleaning and Painting New Metal Structures. The exterior surfaces of the drains shall be cleaned according to Steel Structures Painting Council's Spec. SSPC-SP1 prior to painting.
Fiberglass pipe shall conform to ASTM D 2996, with short-term rupture strength hoop tensile stress of 30,000 p.s.i. minimum.
Drains shall be located clear of all diaphragms.

3/4" Steel Stud Bolts threaded 6" Each End with 2 washers & lock nut 15/16" Holes in web (May be drilled in field.)



SECTION THRU PARAPET