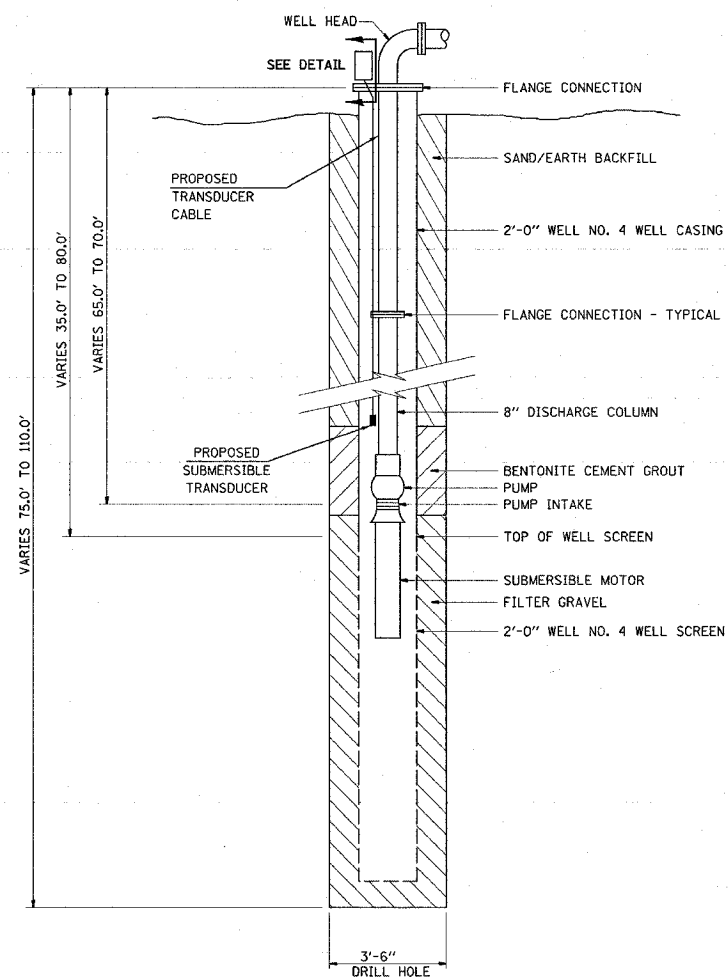
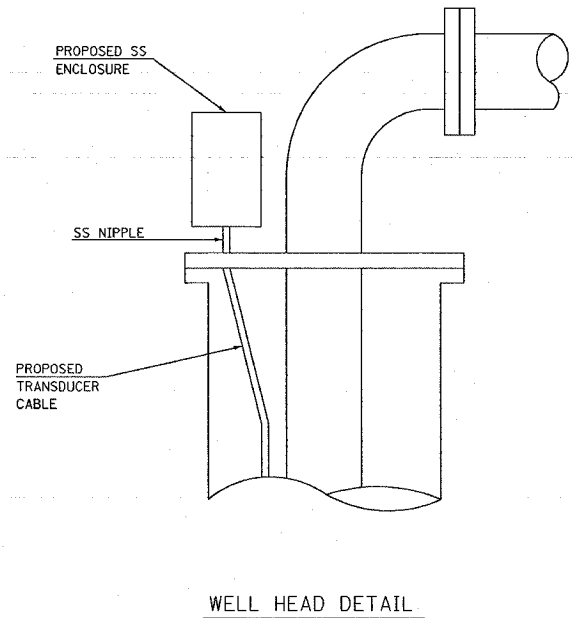


FIP ROUTE	SECTION	COUNTY	TOTAL SHEETS	SHEET NO.
*	**	ST. CLAIR	8	7
STA.		TO STA.		
CONTRACT NO.: 76889				

- * VARIOUS
- ** DIST 8 DEEP WELLS 2005-2

PLAN	DATE
SURVEYED	BY
PLOTTED	BY
PROCESSED	BY
REVISIONS CHECKED	BY
NO.	CAD FILE NAME



REVISIONS	
NAME	DATE

ILLINOIS DEPARTMENT OF TRANSPORTATION
TYPICAL WELL DETAILS

VARIOUS ROUTES
SECTION DIST 8 DEEP WELLS 2005-2
ST. CLAIR COUNTY

DRAWN BY:

PLOT DATE: 3/31/2005

#DATE: 44
 3/31/2005
 c:\projects\14082705\plan\plan\402705a.dgn
 REF: