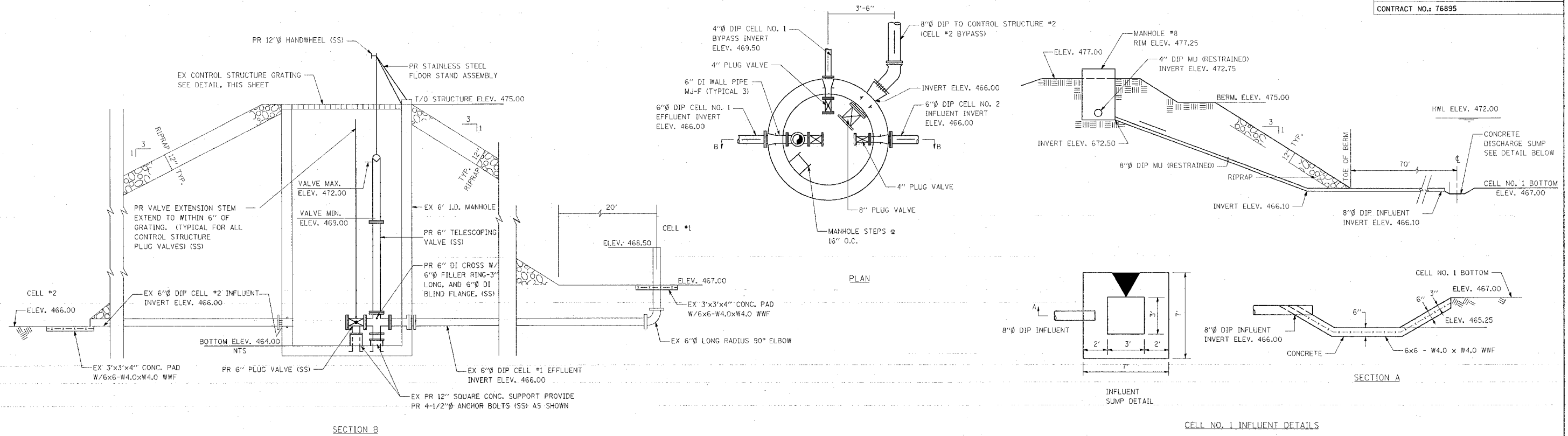


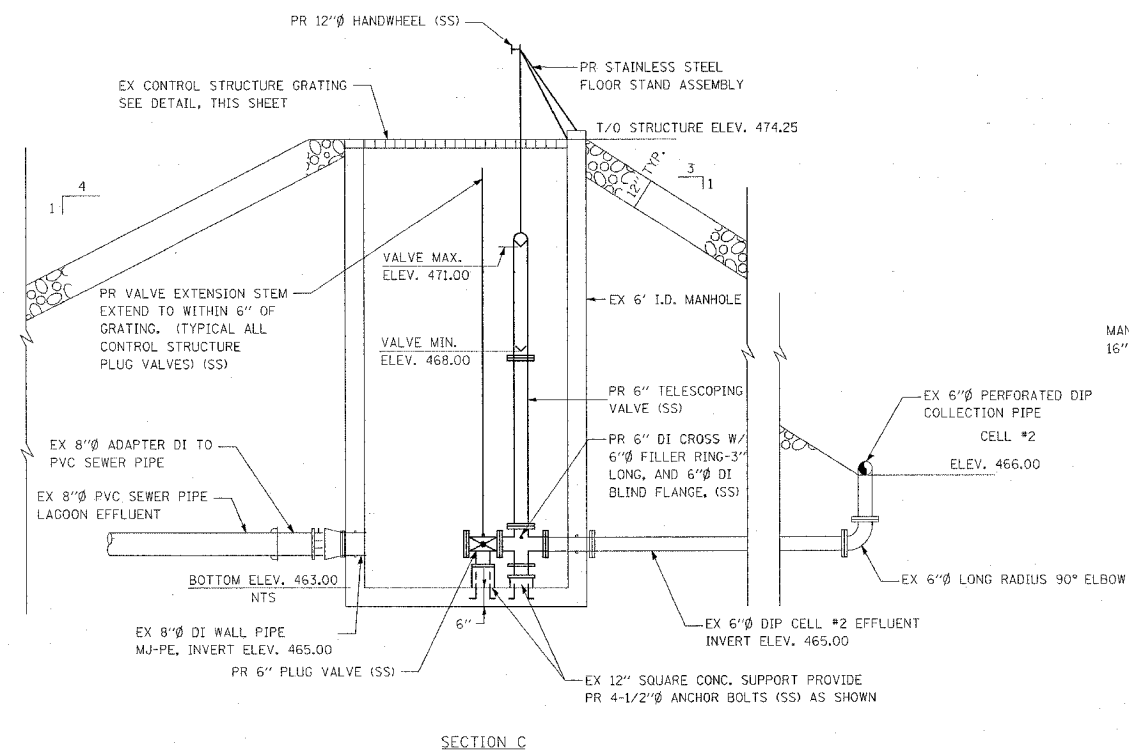
FAI ROUTE	SECTION	COUNTY	TOTAL SHEETS	SHEET NO.
64	82-9RA-1-2	ST. CLAIR	4	4
STA.		TO STA.		
CONTRACT NO.: 76895				

DATE	BY
NO.	NO.
PLAN	NO.
SURVEYED	DATE
PLOTTED	DATE
CHECKED	DATE
REV. OF	DATE
BY	DATE
FILE NAME	



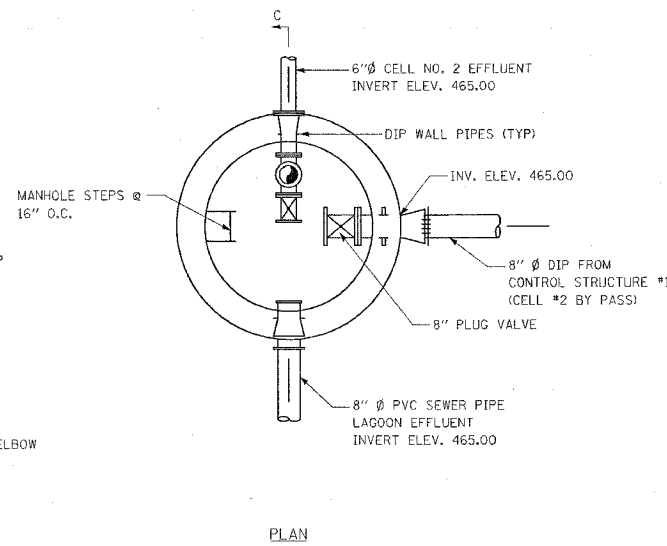
(SS) STAINLESS STEEL

CONTROL STRUCTURE #1

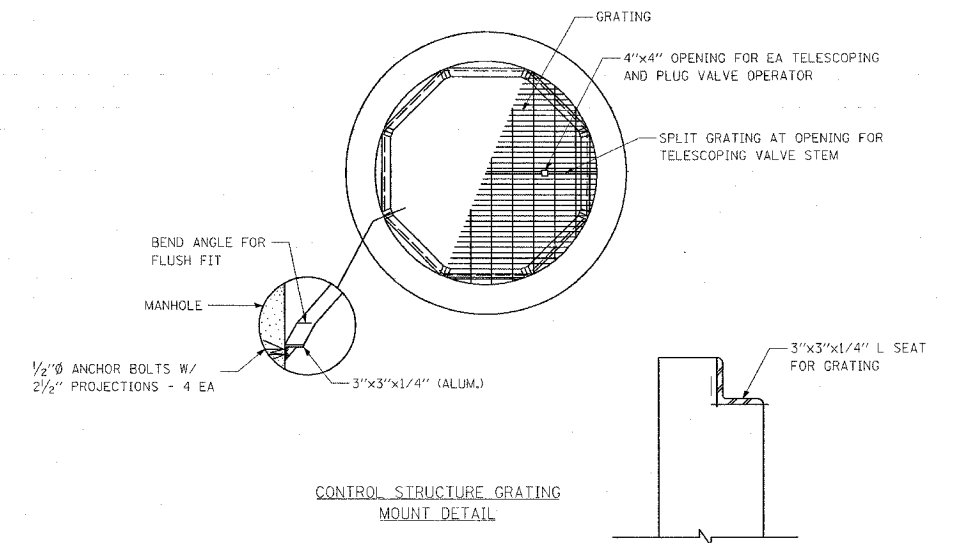


SECTION C

CONTROL STRUCTURE #2



PLAN



CONTROL STRUCTURE GRATING MOUNT DETAIL

DRAWINGS NOT TO SCALE

REVISIONS	
NAME	DATE

ILLINOIS DEPARTMENT OF TRANSPORTATION
INFLUENT & CONTROL STRUCTURE DETAILS
 FAI ROUTE 64
 SECTION 82-9RA-1-2
 ST. CLAIR COUNTY

DRAWN BY:

PLOT DATE: 3/31/2005

#007E66
 3/31/2005
 c:\projects\82-9RA-1-2\plan\plan\82-9RA-1-2.dgn
 REF