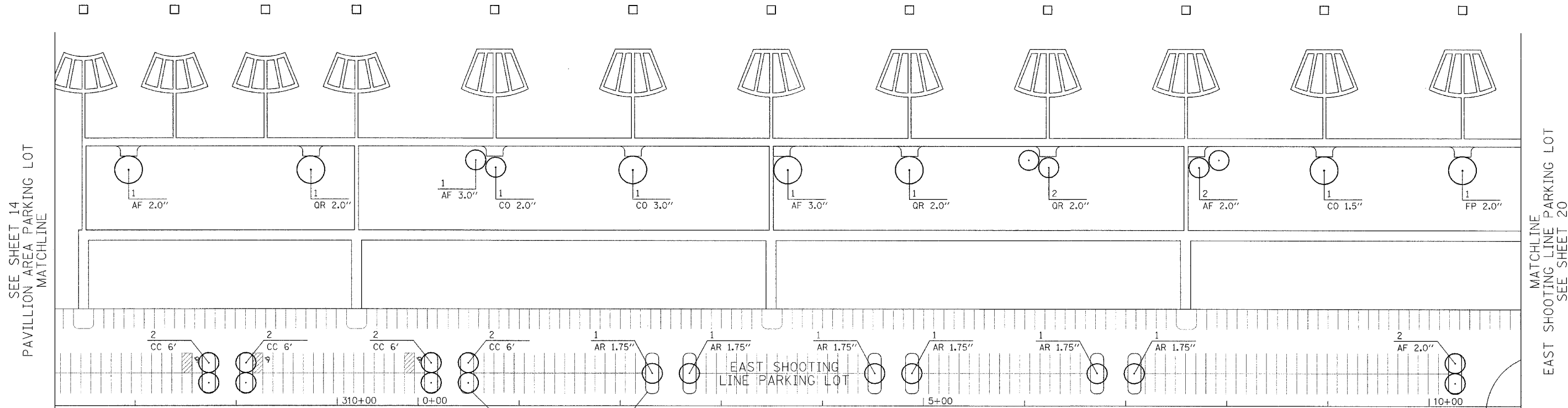


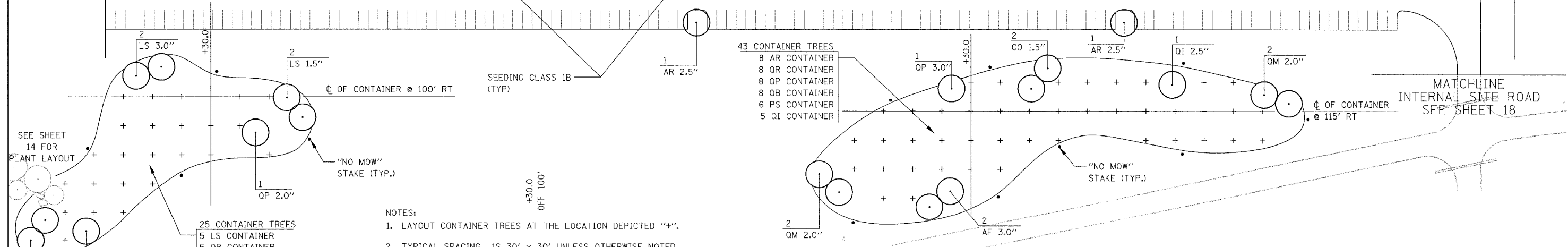
F&P SITE	SECTION	COUNTY	TOTAL SHTS	SHT NO.
PARK ROADS	DIST. 8 WSC 2006-1	RANDOLPH	45	19
STA.	TO STA.			

CONTRACT NO. 76972



SEE SHEET 14
PAVILLION AREA PARKING LOT
MATCHLINE

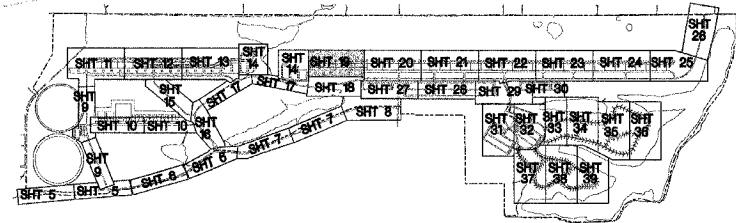
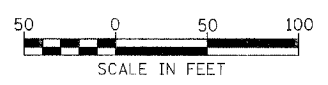
MATCHLINE
EAST SHOOTING LINE PARKING LOT
SEE SHEET 20



SEE SHEET
14 FOR
PLANT LAYOUT

- 25 CONTAINER TREES
- 5 LS CONTAINER
 - 5 QP CONTAINER
 - 5 CC CONTAINER
 - 5 QM CONTAINER
 - 5 CR CONTAINER

- NOTES:
1. LAYOUT CONTAINER TREES AT THE LOCATION DEPICTED "+".
 2. TYPICAL SPACING 1S 30' x 30' UNLESS OTHERWISE NOTED.
 3. PLACE NO MOW STAKE AT APPROXIMATE LOCATION SHOWN A MINIMUM OF 10' FROM ANY CONTAINER SHRUBS OR TREES



ILLINOIS DEPARTMENT OF TRANSPORTATION
PLAN VIEW
EAST SHOOTING LINE PARKING LOT
LANDSCAPING
PARK ROADS
SECTION DIST. 8 WSC 2006-1
RANDOLPH COUNTY
DRAWN BY: