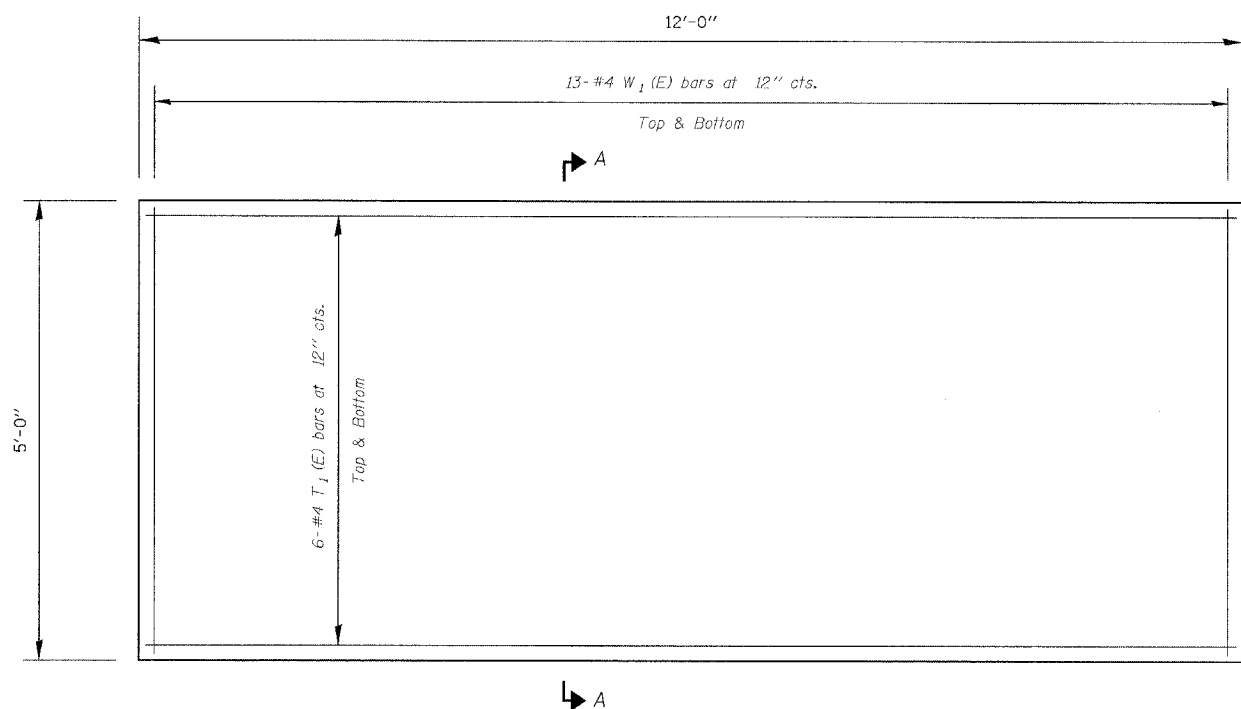


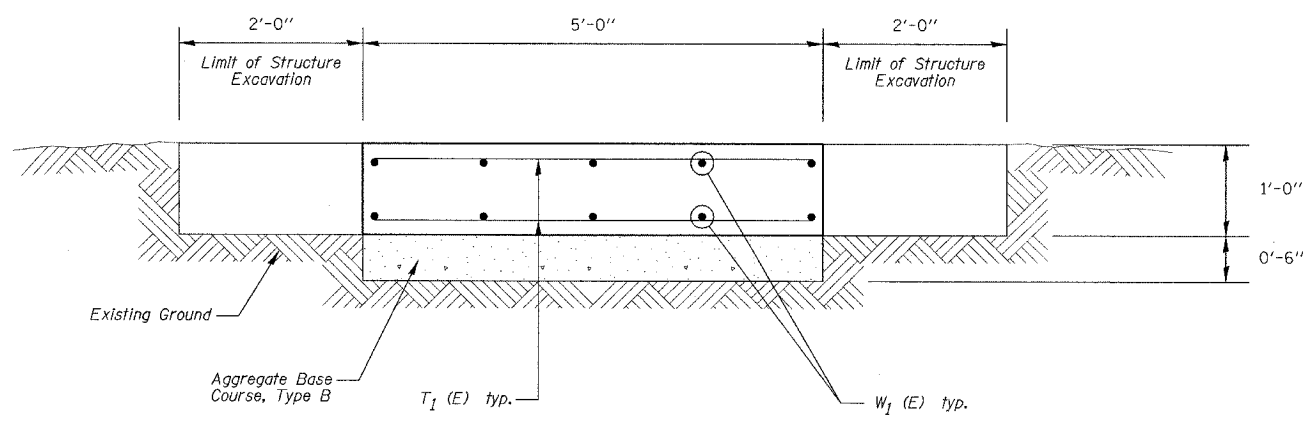
PAP. NO.	SECTION	COUNTY	TOTAL SHEETS	SHEET NO.
PARK ROADS	DIST. 8 WSC 2006-1	RANDOLPH	45	44
STA.	TO STA.			

CONTRACT NO. 76972



EAST ABUTMENT BILL OF MATERIAL

BAR	NO.	SIZE	LENGTH	SHAPE	
T ₁ (E)	12	#4	11'-8"	—	
w ₁ (E)	26	#4	4'-8"	—	
Reinforcement Bars, Epoxy Coated				LB	180
Concrete Structures				Cu. Yd.	2.5
Structure Excavation				Cu. Yd.	6.5
Aggregate Base Course, Type B				Cu. Yd.	1.5



SECTION A-A

ILLINOIS DEPARTMENT OF TRANSPORTATION
**SIGN FOUNDATION
 DETAILS &
 BILL OF MATERIALS**
 PARK ROADS
 SECTION DIST. 8 WSC 2006-1
 RANDOLPH COUNTY
 DRAWN BY: