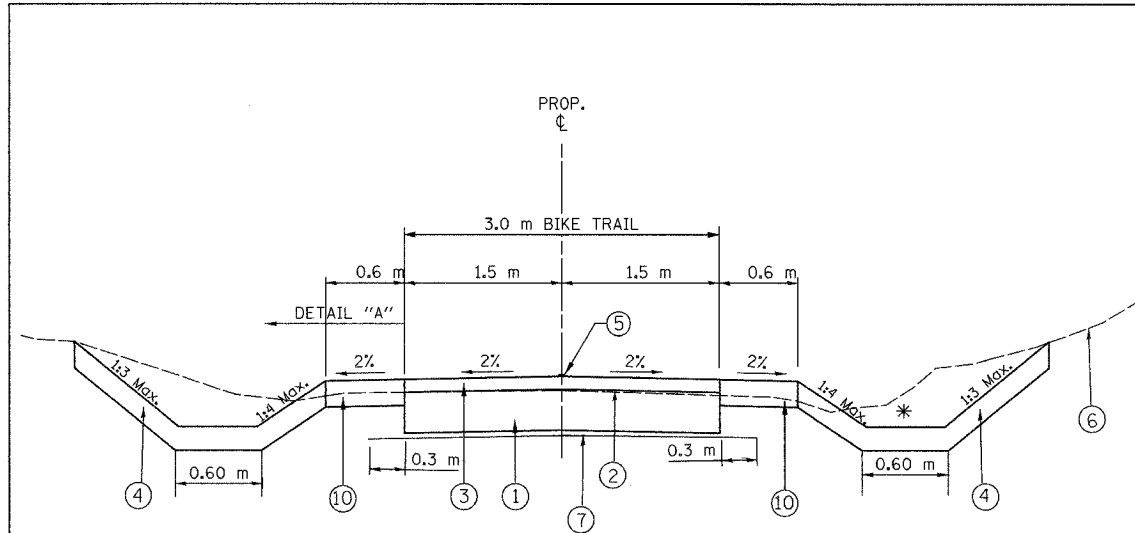


SECTION	COUNTY	TOTAL SHEETS	SHEET NO.
02-00090-00-BT	DUPAGE	117	9
STA.	TO STA.		
IDOT PROJECT NO. M-8003(222)			
SALT CREEK GREENWAY TRAIL			
CONTRACT NO. 83713			

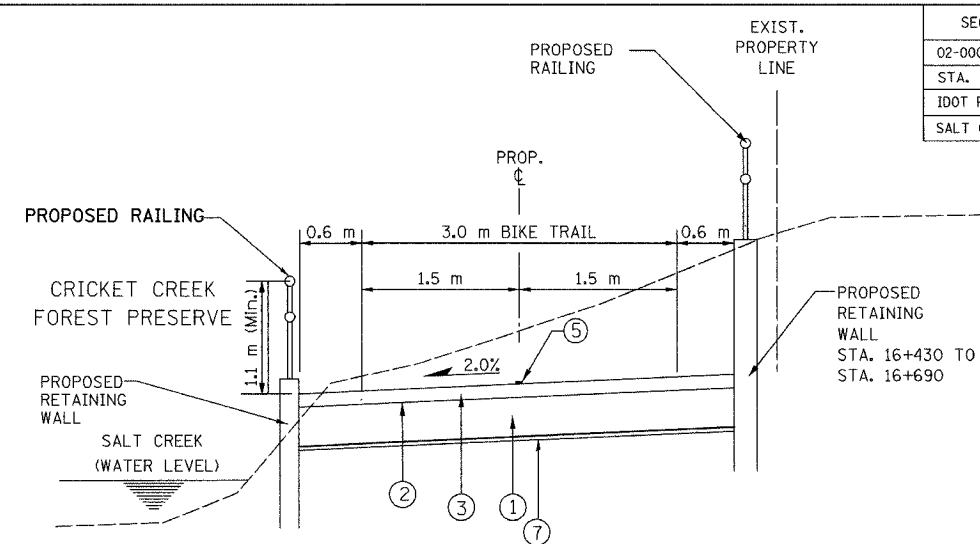


PROPOSED TYPICAL SECTION

STA. 15+800 TO STA. 15+802
 STA. 15+873 TO STA. 16+452
 STA. 16+574 TO STA. 16+756.1
 STA. 16+835 TO STA. 17+066

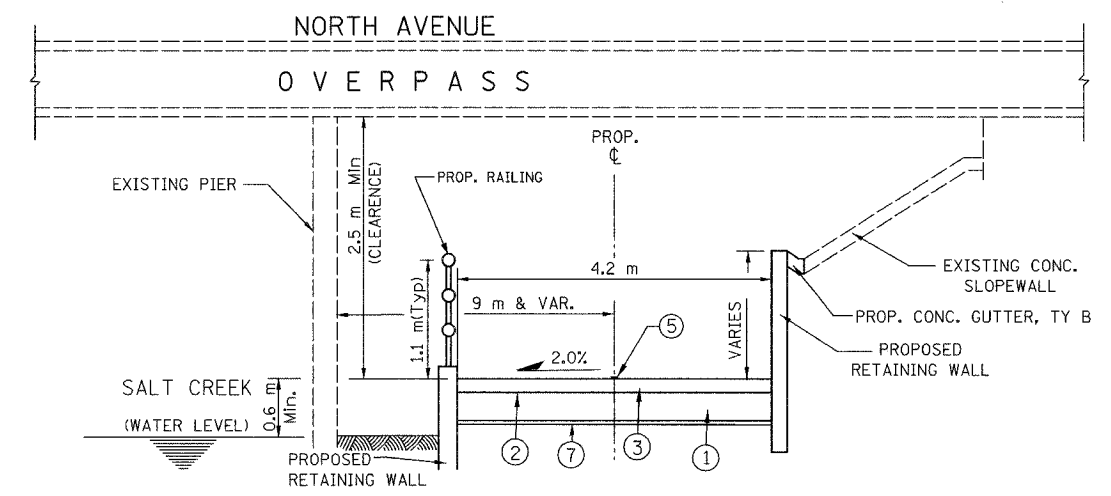
* FOR SPECIAL DITCH DETAILS
 SEE CROSS SECTIONS

STA. 15+802 TO STA. 15+873 - PROPOSED BRIDGE
 STA. 16+756.1 TO STA. 16+835 - EXISTING PAVEMENT



PROPOSED TYPICAL SECTION

STA. 16+452 TO STA. 16+500
 STA. 16+535 TO STA. 16+574



PROPOSED TYPICAL SECTION

STA. 16+500 TO STA. 16+535

LEGEND:

- ① AGGREGATE BASE COURSE, TYPE B, 150 mm
- ② BITUMINOUS PRIME COAT
- ③ BITUMINOUS CONCRETE SURFACE COURSE, SUPERPAVE MIX "C", N50, 50 mm
- ④ 150 mm TOP SOIL AND SEEDING CLASS 4A
- ⑤ PAINT PAVEMENT MARKING, 100 mm YELLOW
- ⑥ EXISTING GROUND
- ⑦ GEOTECHNICAL FABRIC FOR GROUND STABILIZATION
- ⑧ PRECAST BLOCK RETAINING WALL
- ⑨ EXISTING SIDEWALK TO BE REMOVED
- ⑩ 150 mm TOP SOIL AND SEEDING, CLASS 1 B
- ⑪ EARTH EXCAVATION
- ⑫ SUITABLE EMBANKMENT MATERIAL (NO TOPSOIL)
- ⑬ LIMESTONE SCREENINGS 50 mm
- ⑭ PCC SIDEWALK PAVEMENT 150 mm
- ⑮ AGGREGATE BASE COURSE, TYPE B, 100 mm

ITEM	AC TYPE	VOIDS	RAP %	USAGE
BITUMINOUS CONCRETE SURFACE COURSE, SUPERPAVE, MIX. C, N50	PG 64-22	4% @ 50 GYR	15%	BIKE PATH SURFACE

DESIGNER USED UNIT WEIGHT 112 LBS/SQ YD/IN (2.39 KG/SM/MM) FOR CALCULATION PURPOSES

REVISIONS		
NO.	NAME	DATE

URS 1701 GOLF ROAD, SUITE 1000 TEL (847) 228-0707
 ROLLING MEADOWS, IL 60008 FAX (847) 228-1115

VILLAGE OF ADDISON
SALT CREEK GREENWAY TRAIL
 TYPICAL SECTIONS

DATE: 7/18/05 DRAWN BY: MIA&VP
 DESIGNED BY: MIA CHECKED BY: DDL