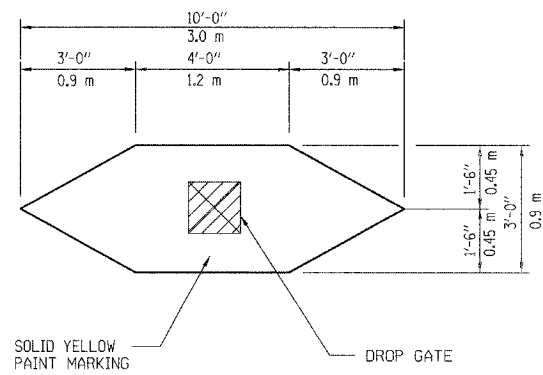
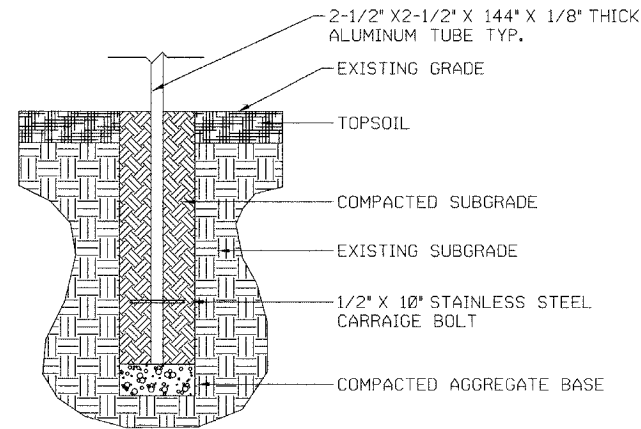


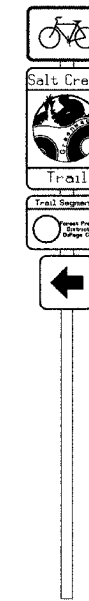
SECTION	COUNTY	TOTAL SHEETS	SHEET NO.
02-00090-00-BT	DUPAGE	117	37
STA.	TO STA.		
IDOT PROJECT NO. M-8003(222)			
SALT CREEK GREENWAY TRAIL			
CONTRACT NO. 83713			



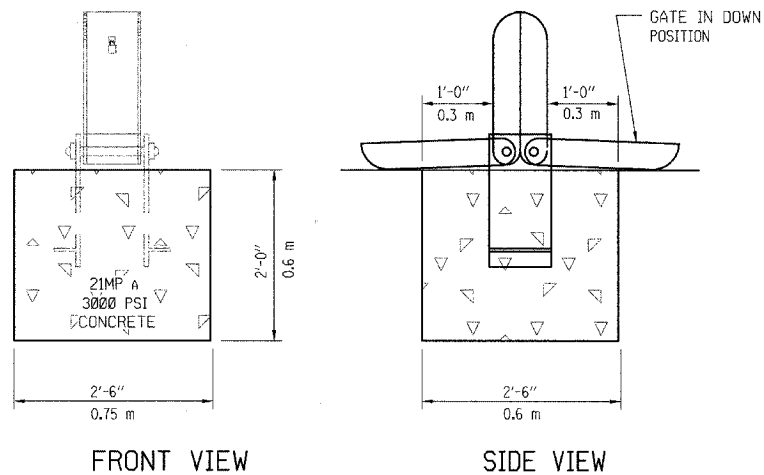
TIP DOWN GATE MARKING DETAIL
N.T.S.



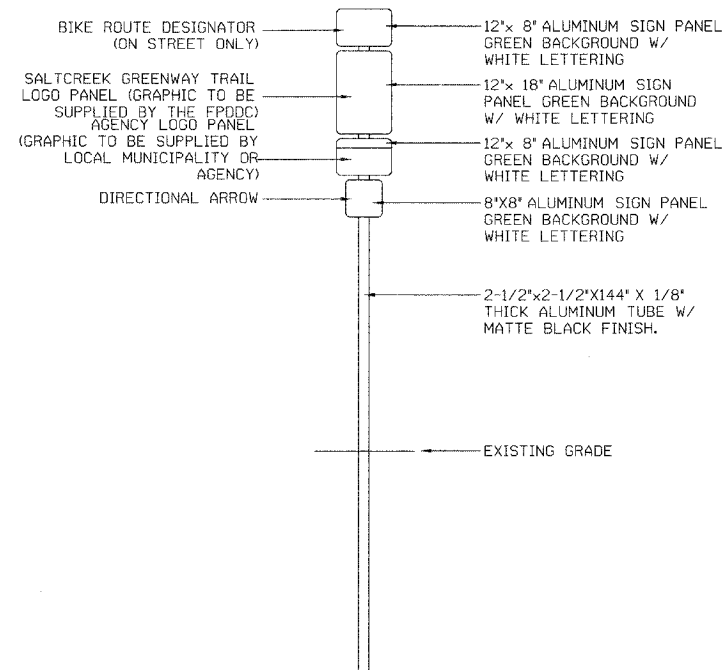
D4
D1.0 **SIGN BASE DETAIL**
SECTION - N.T.S.



D6
D1.0 **TRAIL MARKER**
DESIGN - N.T.S.



FRONT VIEW **SIDE VIEW**
TIP DOWN GATE INSTALLATION DETAIL
N.T.S.



A6
D1.0 **TRAIL MARKER**
ELEVATION - N.T.S.

REVISIONS		
NO.	NAME	DATE

URS 1701 GOLF ROAD, SUITE 1000 TEL (847) 228-0707
ROLLING MEADOWS, IL 60008 FAX (847) 228-1115

VILLAGE OF ADDISON
SALT CREEK GREENWAY TRAIL
SIGN DETAILS

DATE: 10/22/04 DRAWN BY: MIA&VP
DESIGNED BY: MIA CHECKED BY: DDL