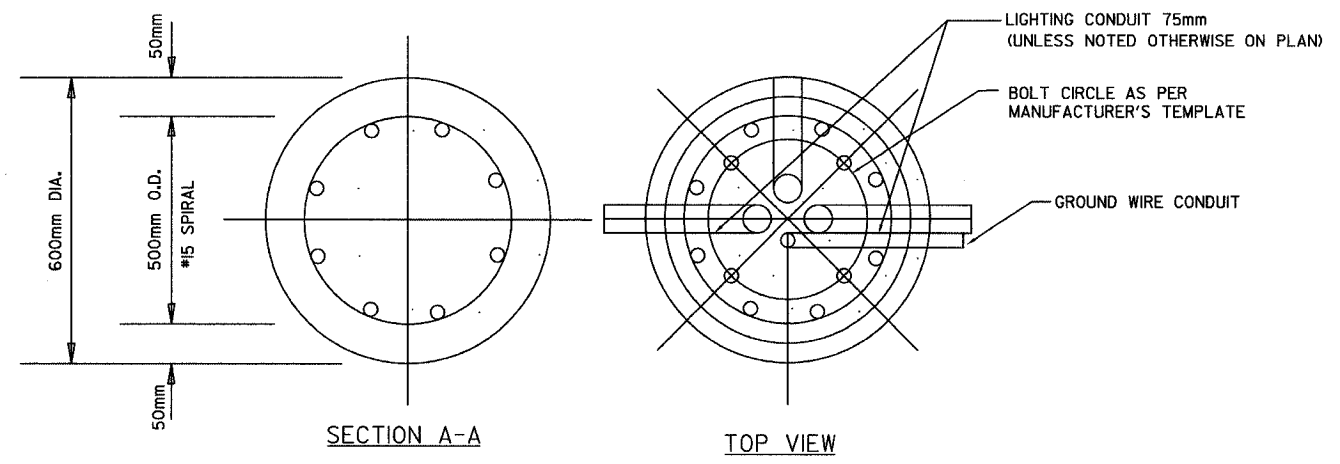


SECTION	COUNTY	TOTAL SHEETS	SHEET NO.
02-00090-00-BT	DUPAGE	117	39
STA. TO STA.			
IDOT PROJECT NO. M-8003(222)			
SALT CREEK GREENWAY TRAIL			

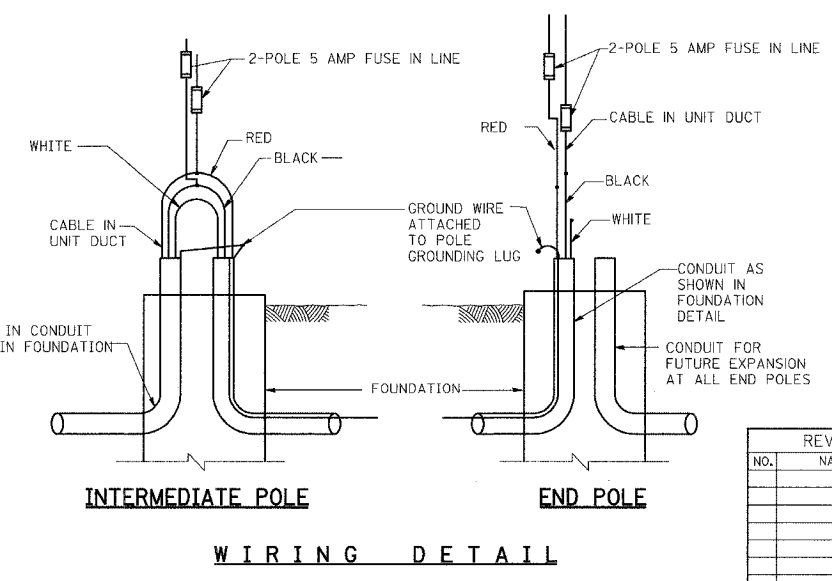
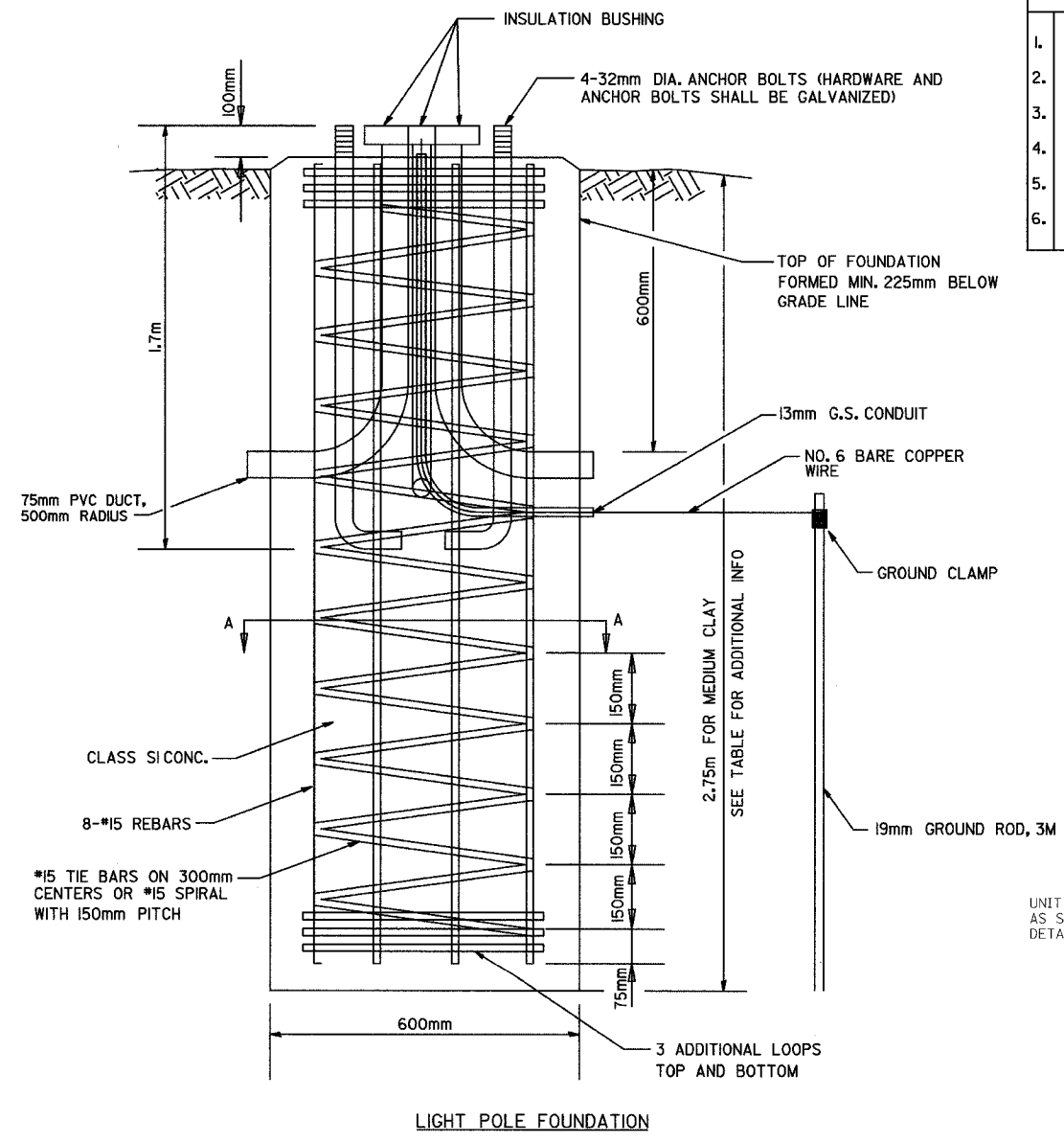
CONTRACT NO. 83713



DESIGN TABLE

TYPE OF SOIL		DESIGN DEPTH OF FOUNDATION	REINFORCEMENT IN FOUNDATION HEIGHT OF SPIRAL CAGE
DESCRIPTION	STANDARDS		
1. SOFT CLAY	$Q_u = 25-50$ KPA	3.40m	#15 3.25m
2. MEDIUM CLAY	$Q_u = 50-95$ KPA	2.75m	#15 2.60m
3. STIFF CLAY	$Q_u = 95-190$ KPA	2.40m	#15 2.15m
4. LOOSE SAND	$N = 4-10$	2.90m	#15 2.75m
5. MEDIUM SAND	$N = 10-30$	2.75m	#15 2.60m
6. DENSE SAND	$N = 30-50$	2.50m	#15 2.35m

N = NUMBER OF BLOWS PER 0.3m, STANDARD PENETRATION TEST
 Q_u = UNCONFINED COMPRESSIVE STRENGTH



URS 1701 GOLF ROAD, SUITE 1000 TEL (847) 228-0707
 ROLLING MEADOWS, IL 60008 FAX (847) 228-1115

VILLAGE OF ADDISON
SALT CREEK GREENWAY TRAIL
 ELECTRICAL DETAILS

REVISIONS		
NO.	NAME	DATE

DATE: 10/22/04
 DESIGNED BY: MIA
 DRAWN BY: MIA&VP
 CHECKED BY: DDL