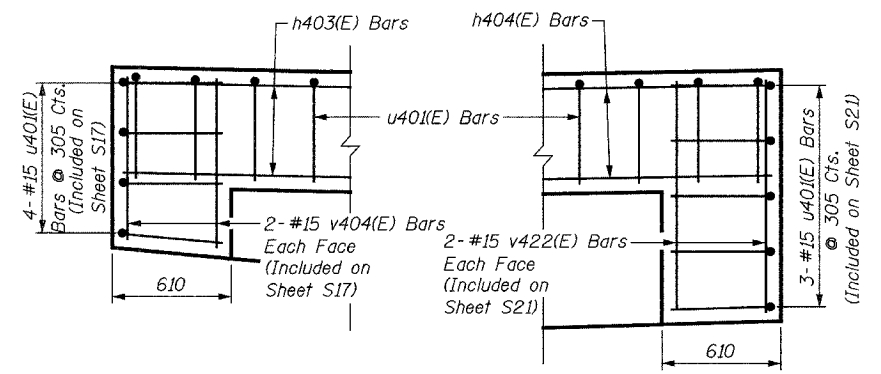
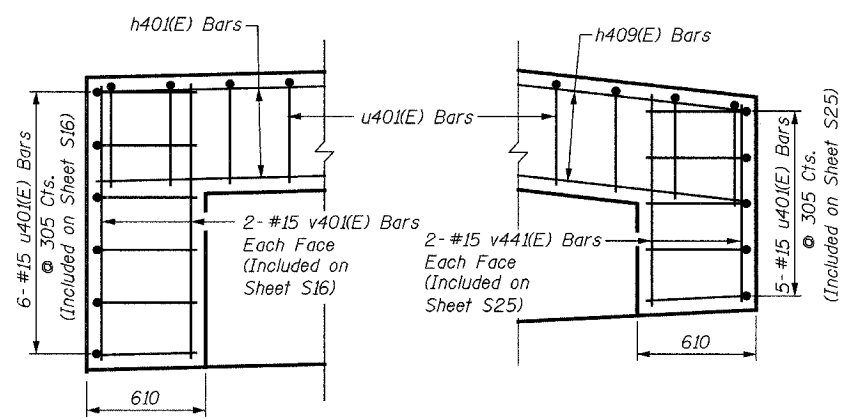


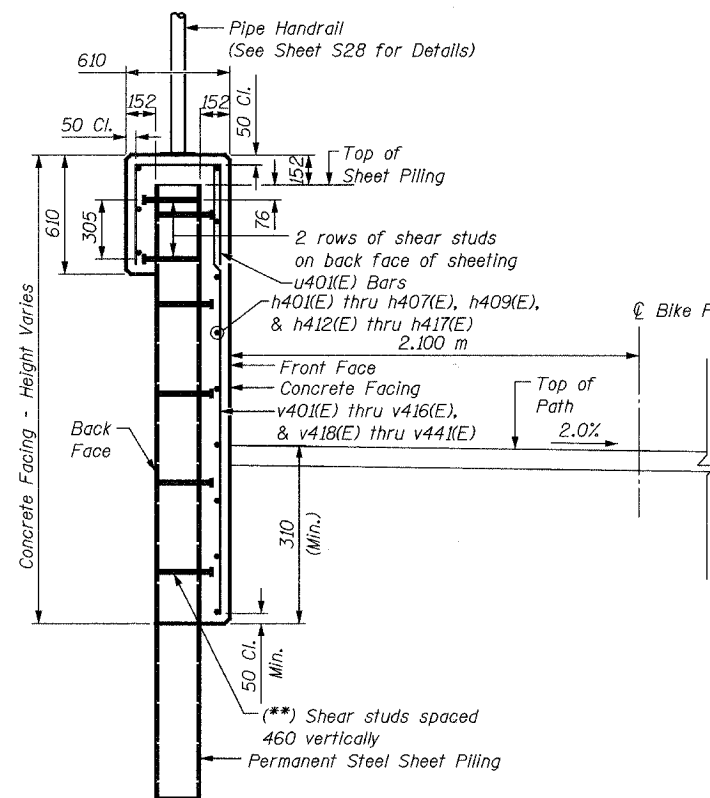
SECTION THRU WEST WALL
(Section Sta. 16+497 to Sta. 16+529)



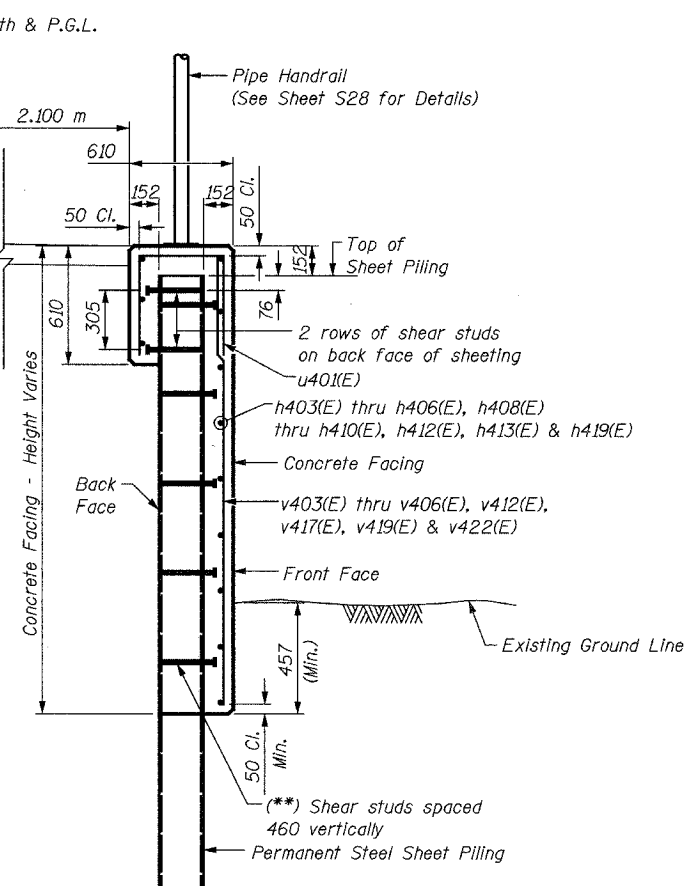
NORTH END SOUTH END
END CAP WALL DETAILS - EAST WALL



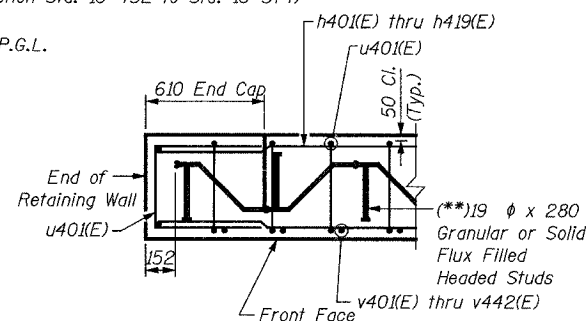
NORTH END SOUTH END
END CAP WALL DETAILS - WEST WALL



SECTION THRU WEST WALL
(Section Sta. 16+425 to Sta. 16+497)
(Section Sta. 16+529 to Sta. 16+690)

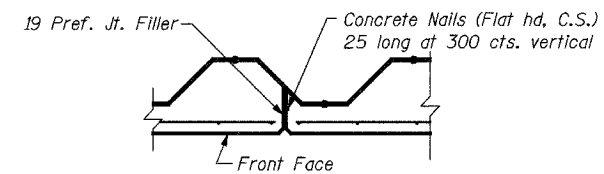


SECTION THRU EAST WALL
(Section Sta. 16+452 to Sta. 16+574)

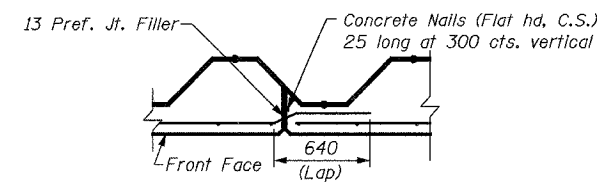


SECTION THRU CAP

SECTION THRU WALL



EXPANSION JOINT DETAIL



CONSTRUCTION JOINT DETAIL

() NOTE:**

Shear Studs shall be 19 dia. x 208 Granular or Solid Flux Filled Headed Studs conforming to 505.08 (m) of the Standard Specifications automatically end welded, in the field to Sheet Piling. The cost of the studs is included in the cost of PERMANENT STEEL SHEET PILING.

NOTES:

See Sheet S16 for Notes.

SHEET S26 of S28

REVISIONS		NAME	DATE	URS 1701 GOLF ROAD, SUITE 1000 ROLLING MEADOWS, IL 60008 TEL (847) 228-0707 FAX (847) 228-1115
NO.	DESCRIPTION			
				VILLAGE OF ADDISON SALT CREEK GREENWAY TRAIL RET. WALL STA. 16+425 TO 16+690 DETAILS
				DATE: 06/30/05 DESIGNED BY: MDS DRAWN BY: MDS CHECKED BY: GAT