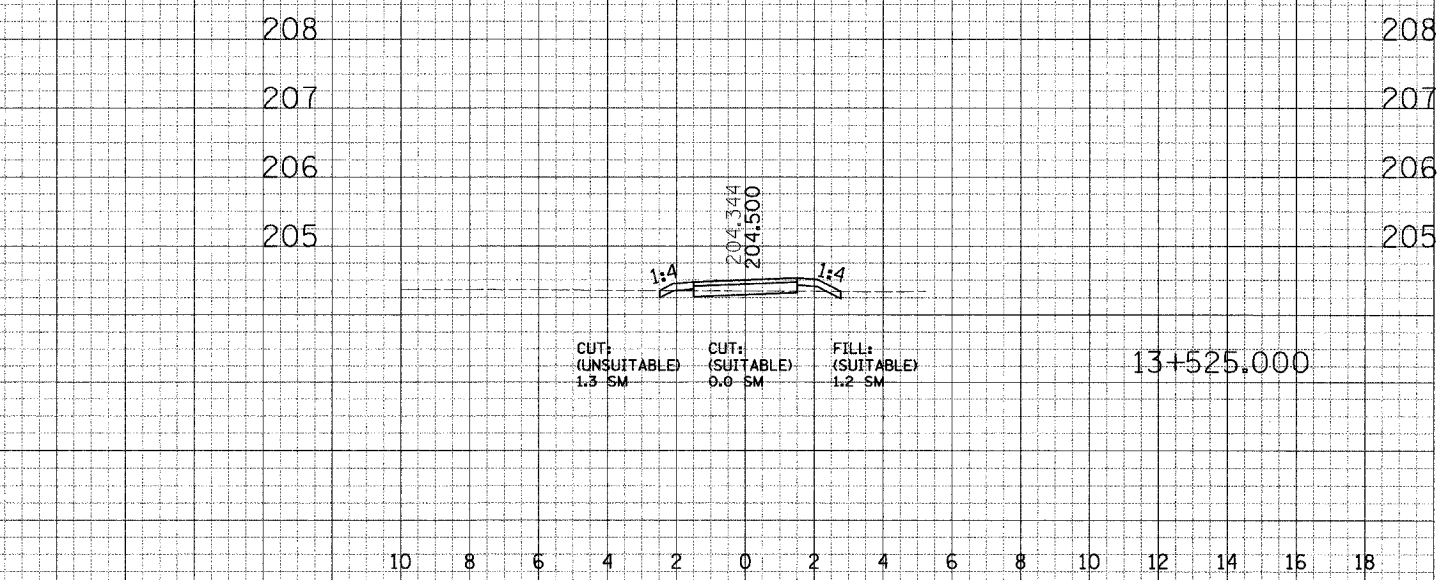
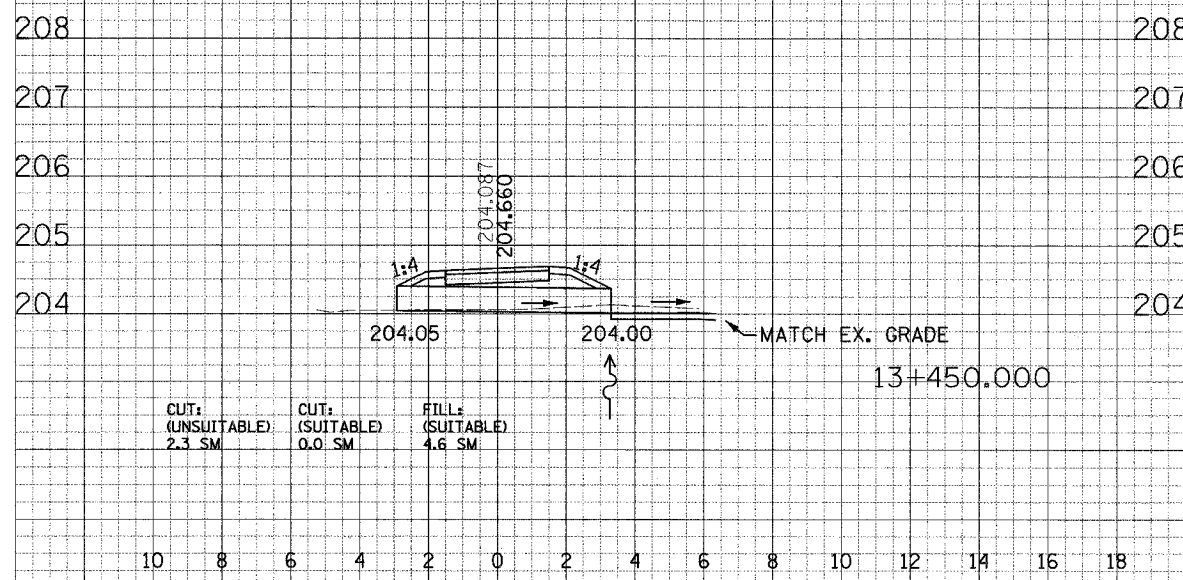
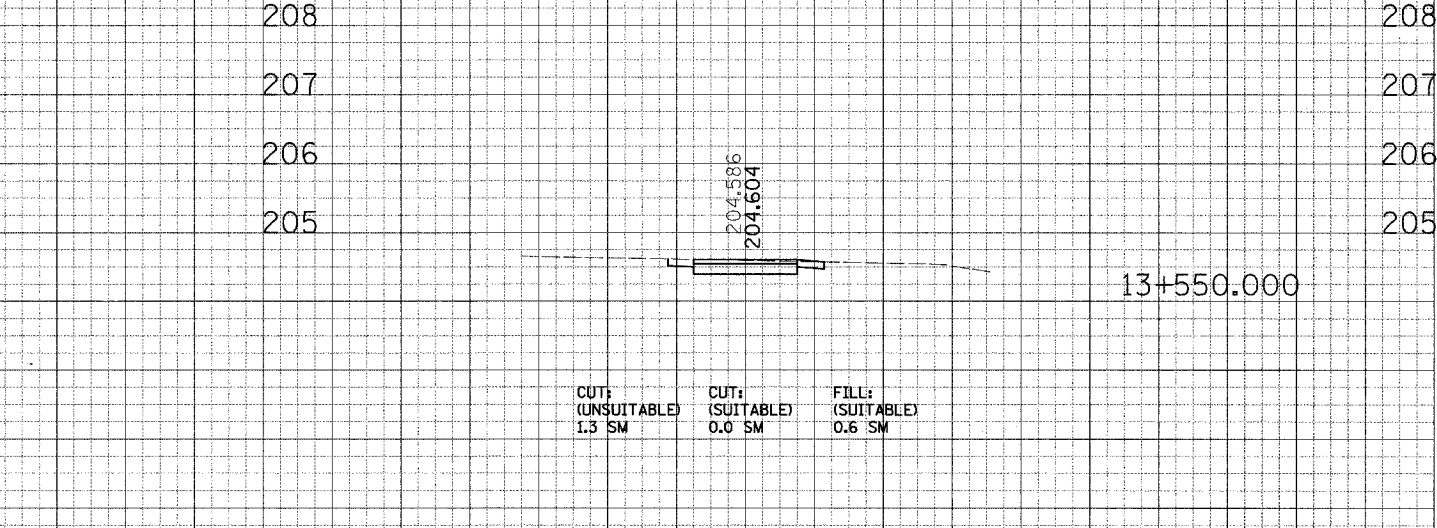
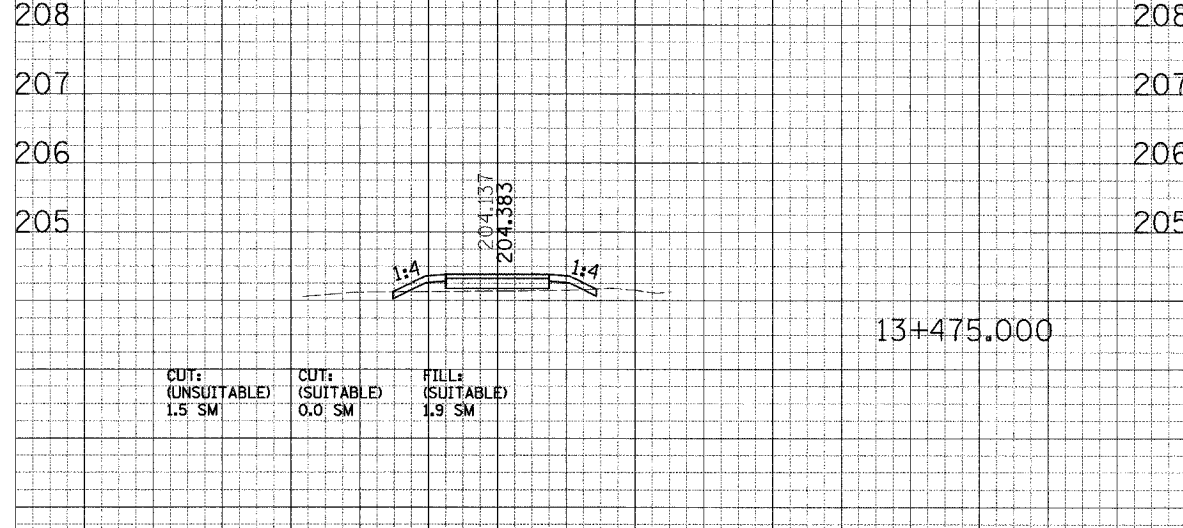
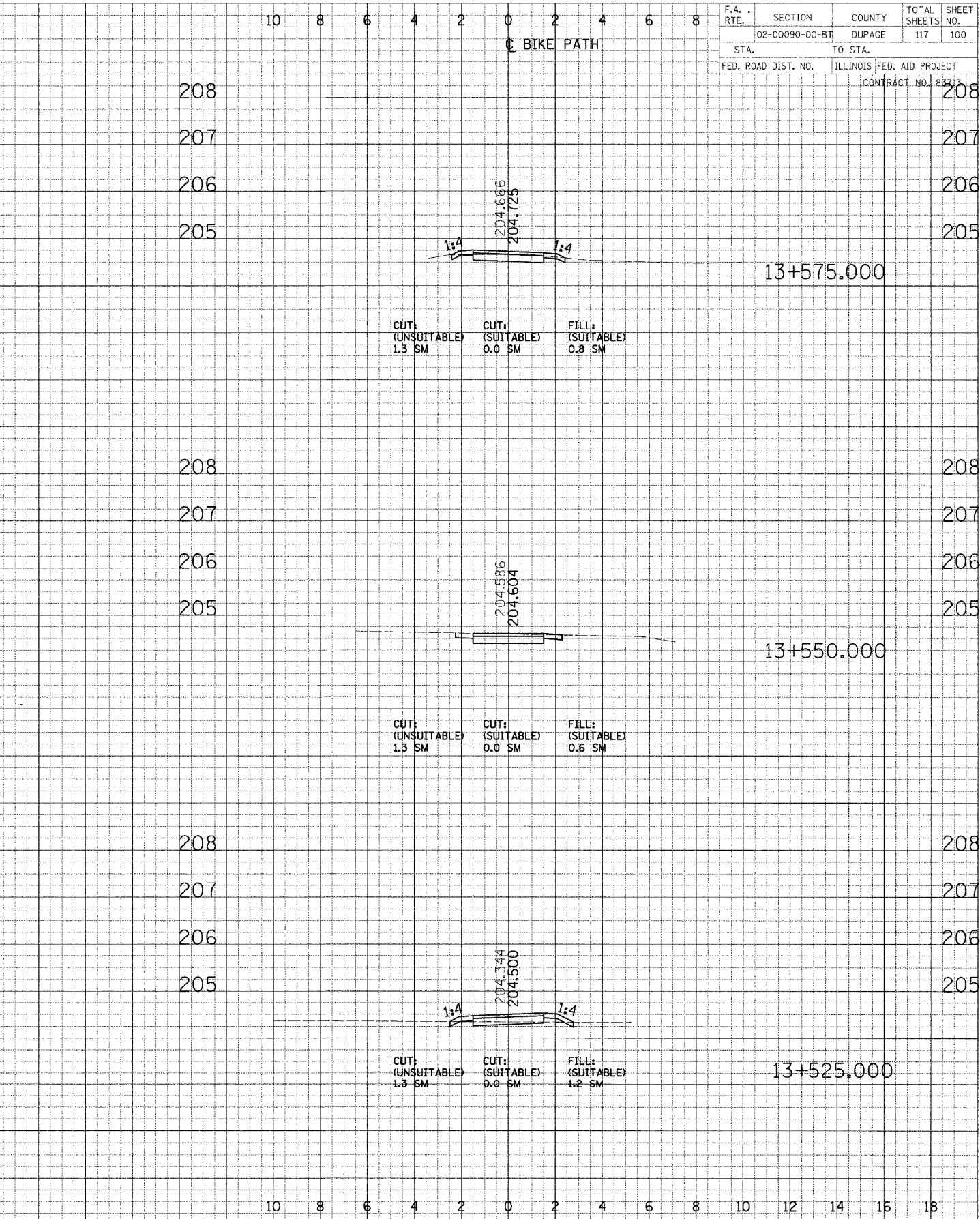
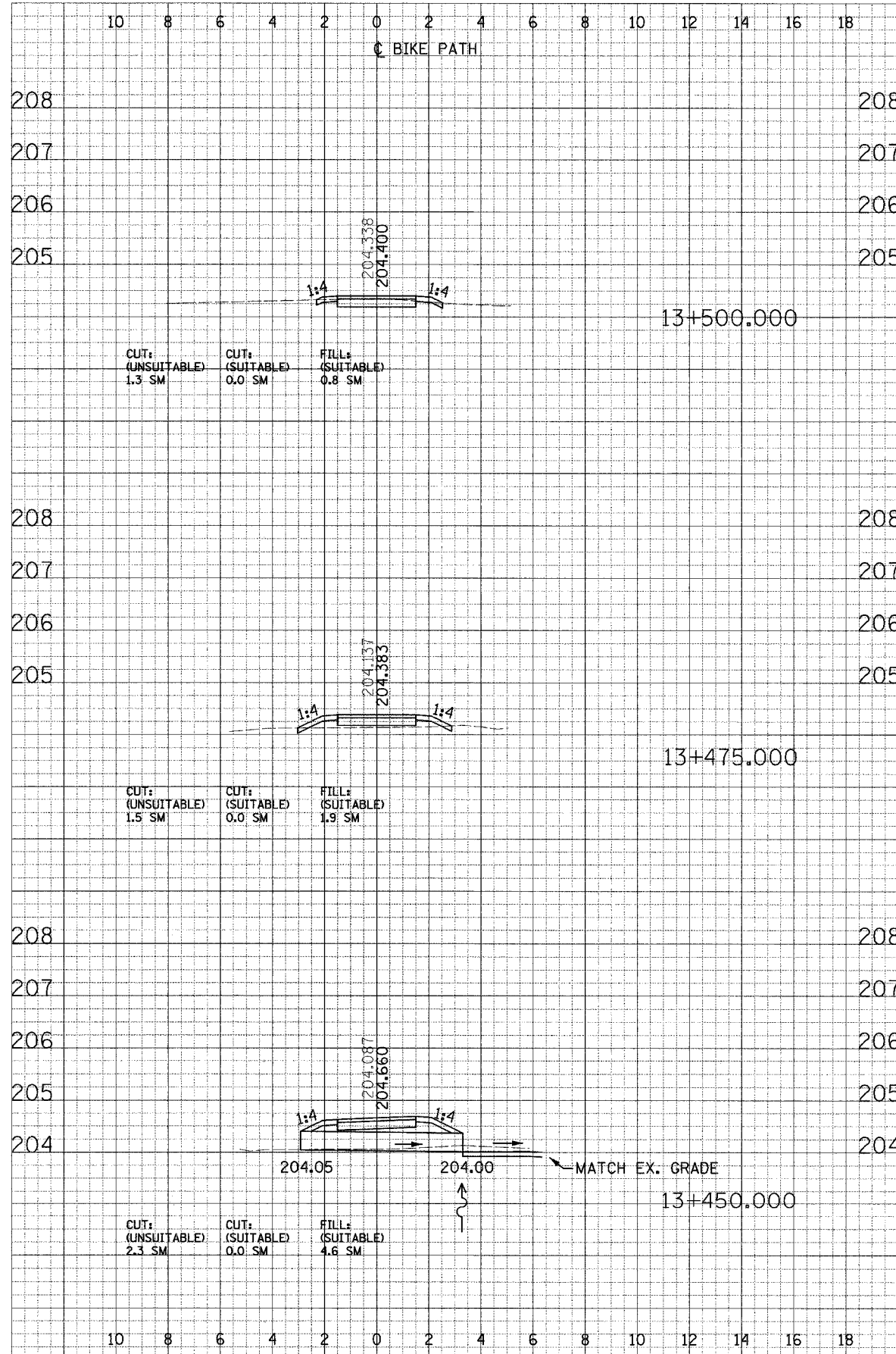


FINAL SURVEY PLOTTED AREAS CHECKED  
 DATE: \_\_\_\_\_ BY: \_\_\_\_\_

UNREV. SURVEY PLOTTED AREAS CHECKED  
 DATE: \_\_\_\_\_ BY: \_\_\_\_\_



F.A. RTE.	SECTION	COUNTY	TOTAL SHEETS	SHEET NO.
	02-00090-00-BT	DUPAGE	117	100
STA.	TO STA.			
FED. ROAD DIST. NO.	ILLINOIS FED. AID PROJECT			
	CONTRACT NO. 83717			