

10 8 6 4 2 0 2 4 6 8 10 12 14 16 18

BIKE PATH

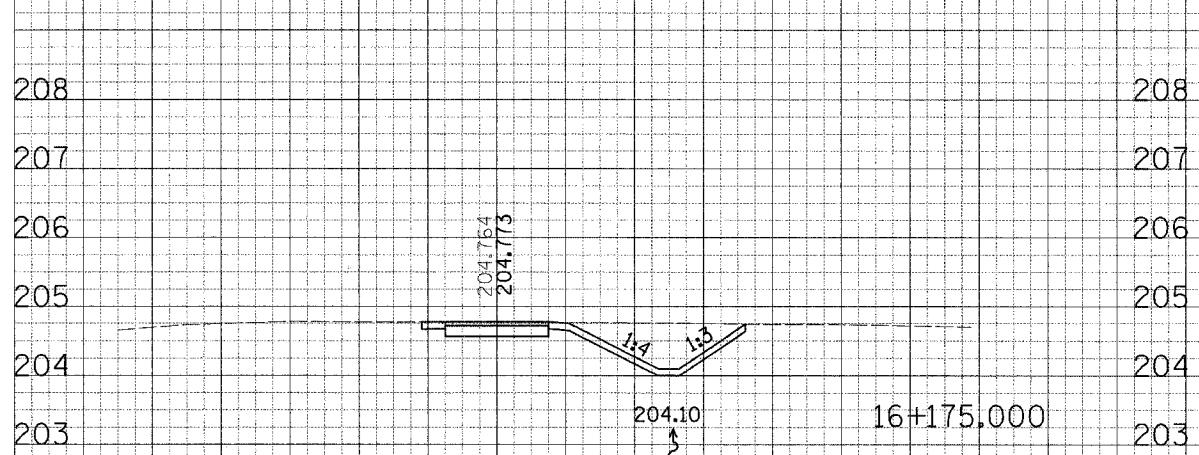
10 8 6 4 2 0 2 4 6 8

BIKE PATH

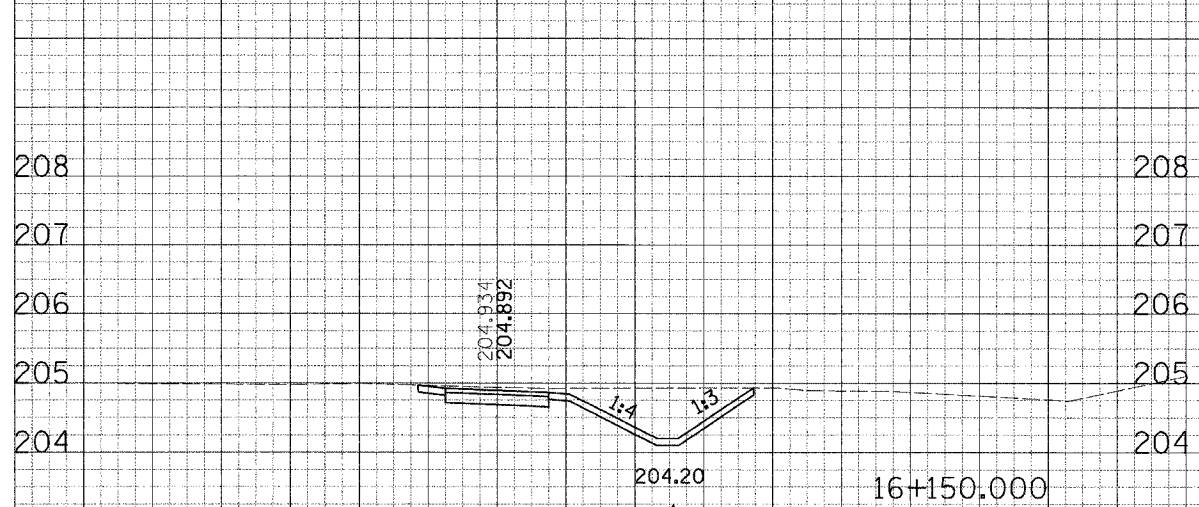
F.A. RTE.	SECTION	COUNTY	TOTAL SHEETS	SHEET NO.
	02-00090-00-BT	DUPAGE	117	110
STA.	TO STA.			
FED. ROAD DIST. NO.	ILLINOIS FED. AID PROJECT			
	CONTRACT NO. 83713			

DATE: _____ BY: _____
 SURVEYED: _____
 PLANNED: _____
 NOTE BOOK: _____
 AREA: _____
 AREA CHECKED: _____

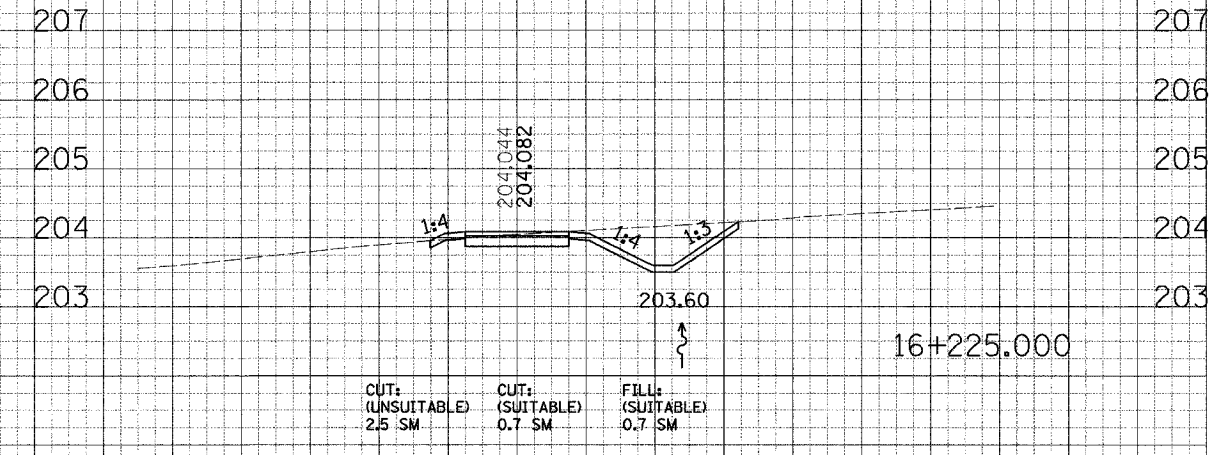
DATE: _____ BY: _____
 SURVEYED: _____
 PLANNED: _____
 NOTE BOOK: _____
 AREA: _____
 AREA CHECKED: _____



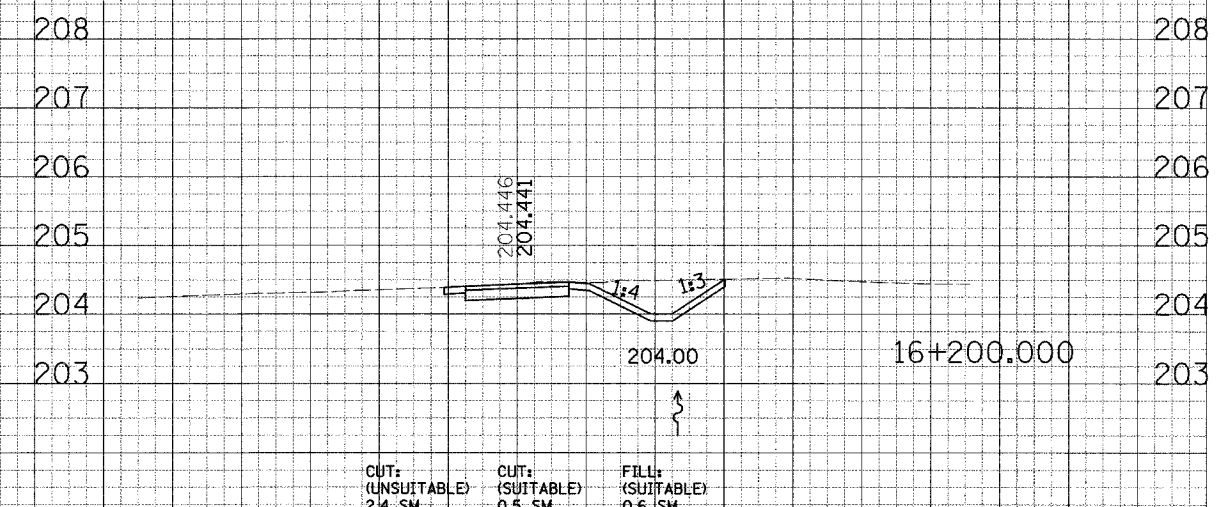
CUT: (UNSUITABLE) 2.8 SM
 CUT: (SUITABLE) 1.0 SM
 FILL: (SUITABLE) 0.6 SM



CUT: (UNSUITABLE) 2.8 SM
 CUT: (SUITABLE) 1.3 SM
 FILL: (SUITABLE) 0.3 SM



CUT: (UNSUITABLE) 2.5 SM
 CUT: (SUITABLE) 0.7 SM
 FILL: (SUITABLE) 0.7 SM



CUT: (UNSUITABLE) 2.4 SM
 CUT: (SUITABLE) 0.5 SM
 FILL: (SUITABLE) 0.6 SM

10 8 6 4 2 0 2 4 6 8 10 12 14 16 18

10 8 6 4 2 0 2 4 6 8 10 12 14 16 18