

10 8 6 4 2 0 2 4 6 8 10 12 14 16 18

BIKE PATH

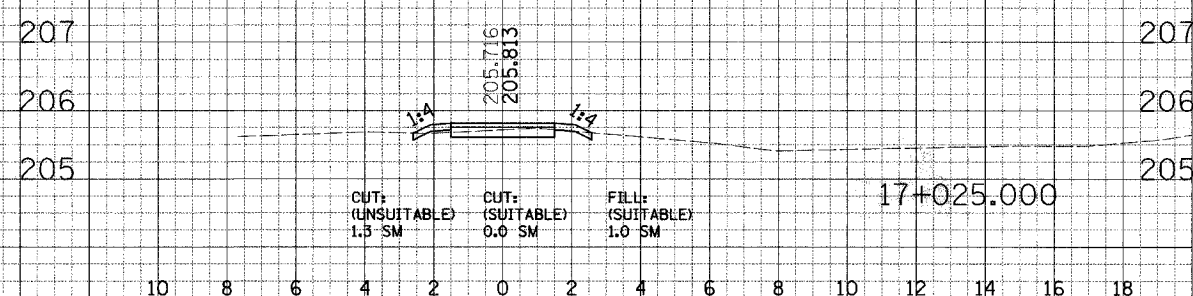
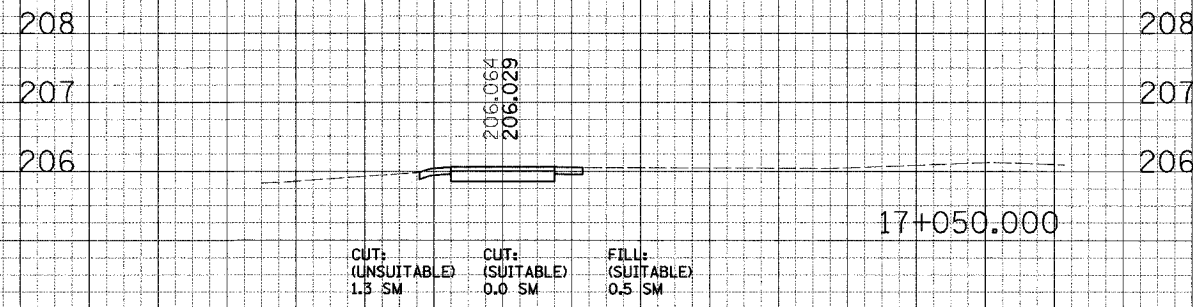
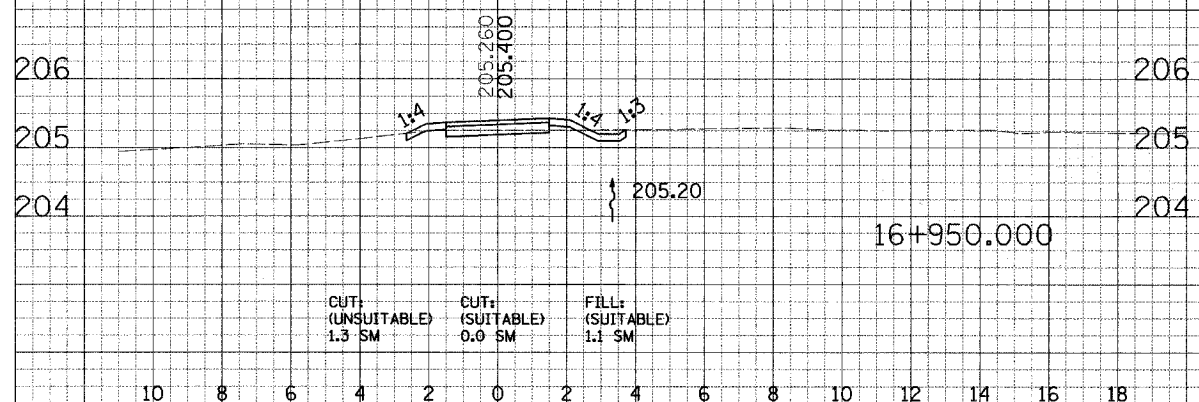
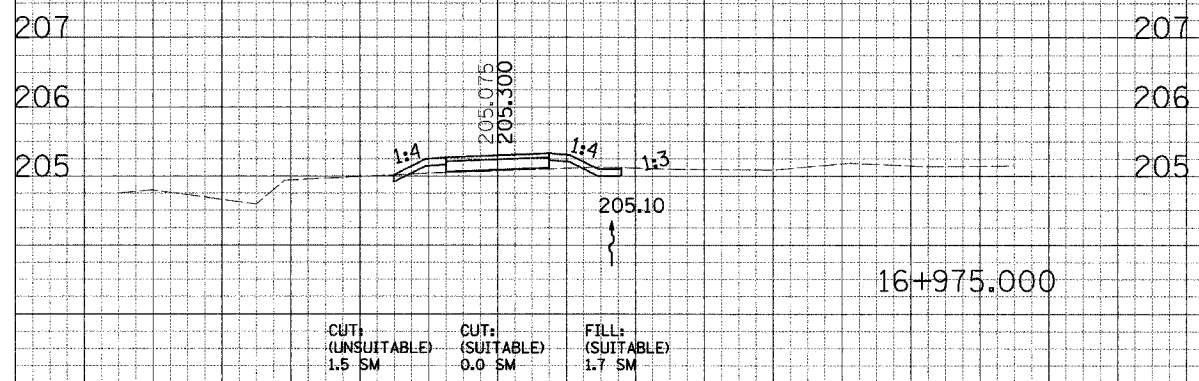
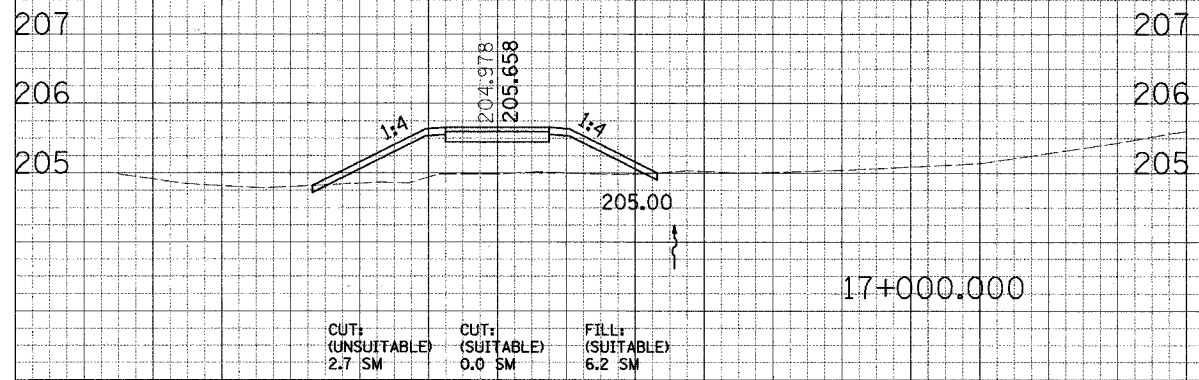
10 8 6 4 2 0 2 4 6 8

BIKE PATH

F.A. RTE.	SECTION	COUNTY	TOTAL SHEETS	SHEET NO.
	02-00090-00-BT	DUPAGE	117	117
STA.	TO STA.			
FED. ROAD DIST. NO.	ILLINOIS	FED. AID PROJECT	CONTRACT NO. 83713	

DATE	BY	DATE
DESIGNED	BY	DATE
CHECKED	BY	DATE
APPROVED	BY	DATE

DATE	BY	DATE
DESIGNED	BY	DATE
CHECKED	BY	DATE
APPROVED	BY	DATE



END CONSTRUCTION AT STA. 17+065.961