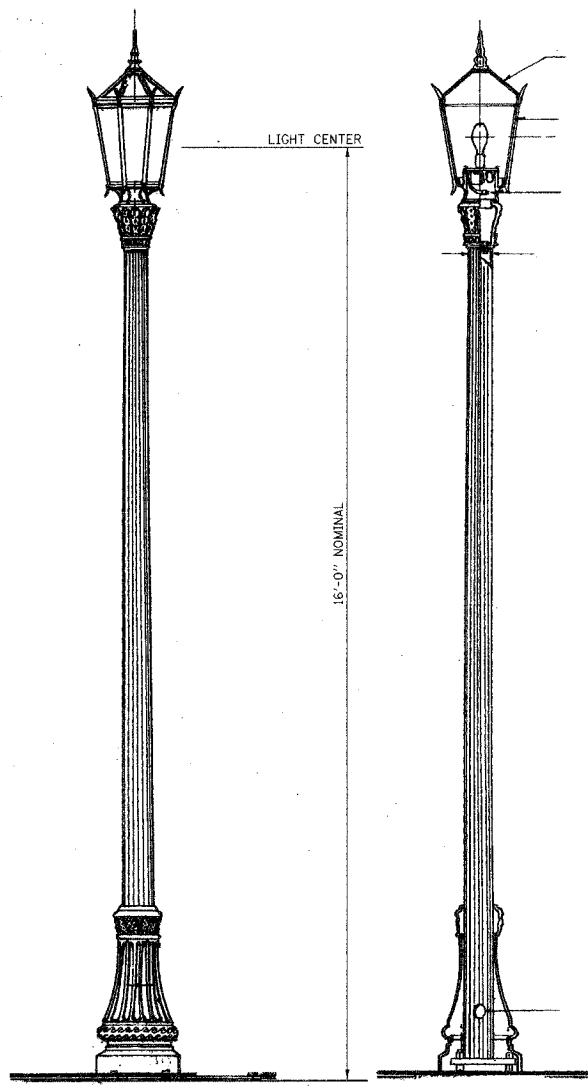


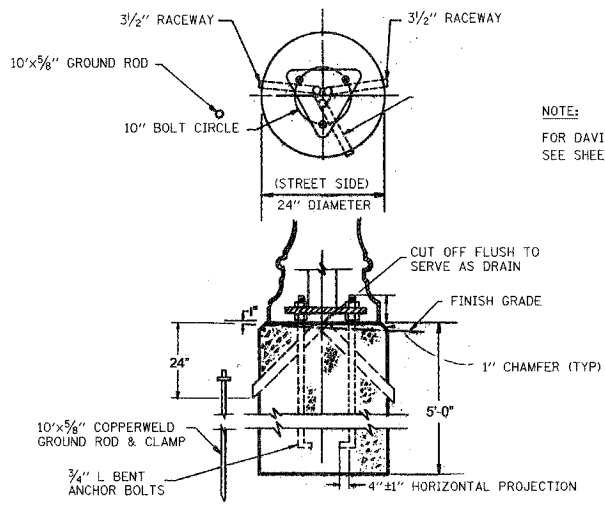
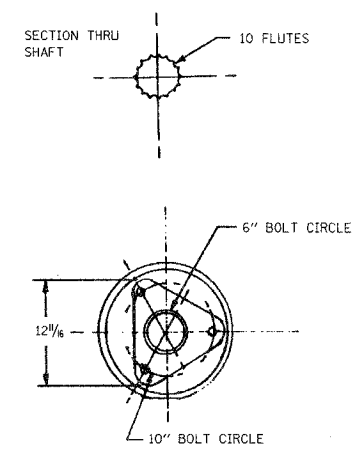
F.A.U.	SECTION	COUNTY	TOTAL SHEETS	SHEET NO.
2832	00-00218-00-FF	COOK	108	51
STA	TO STA			
FED. ROAD DIST. NO. 7 ILLINOIS FED. AID PROJECT				

CONTRACT NO. 83773



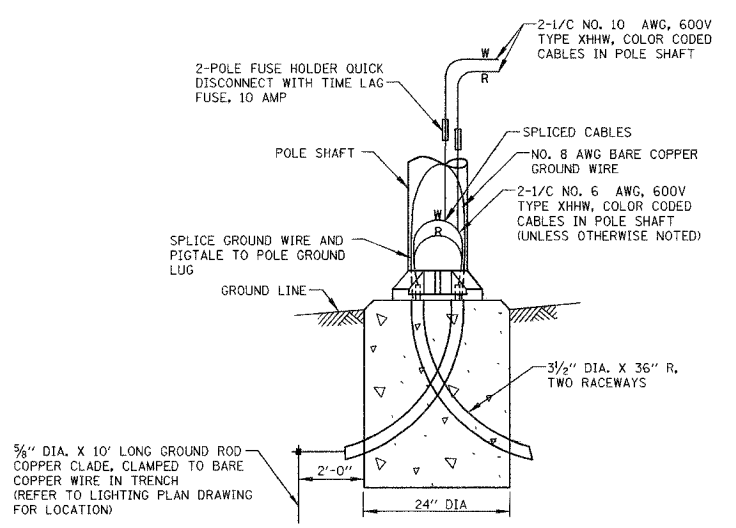
SIDE VIEW CUTAWAY VIEW

TALLMADGE LIGHTING STANDARD AND LUMINAIRE DETAIL (INSTALL ONLY)

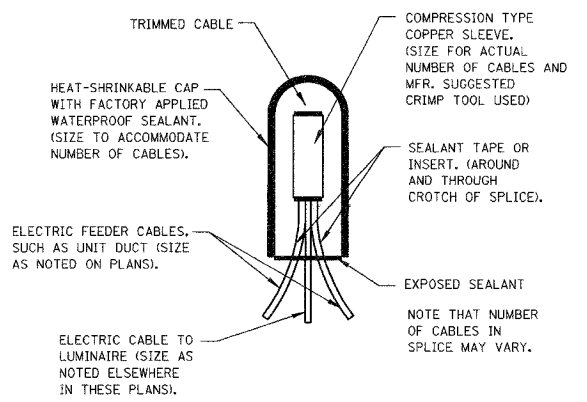


TALLMADGE POLE CONCRETE FOUNDATION DETAIL N.T.S.

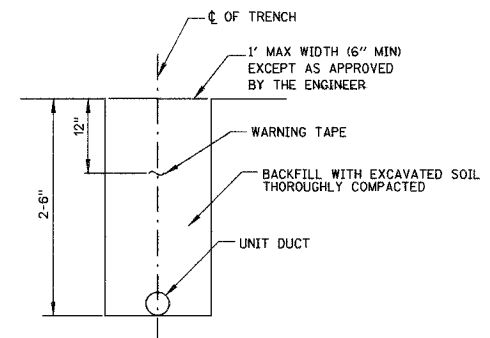
NOTE:
FOR DAVIT ARM LIGHTING UNIT FOUNDATION DETAIL
SEE SHEET NO.52



POLE BASE WIRING DETAIL



SPLICING ELECTRIC CABLE BASIC MATERIALS AND METHODS



TRENCH CROSS SECTION

REVISIONS	
NAME	DATE

ILLINOIS DEPARTMENT OF TRANSPORTATION
ROADWAY LIGHTING DETAILS
McCORMICK BOULEVARD

DATE 9/03/04
DRAWN BY GEW
CHECKED BY SRF
SCALE: NONE