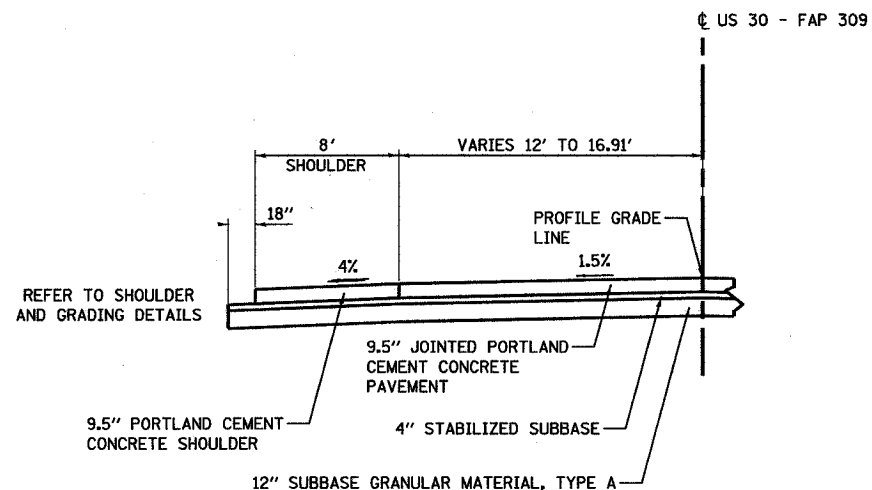


F.A.P. RTE.	SECTION	COUNTY	TOTAL SHEETS	SHEET NO.
309	7HBR&TVBR	WHITESIDE	146	6
STA.		TO STA.		
FED. ROAD DIST. NO.		ILLINOIS FED. AID PROJECT		
CONTRACT #84883				

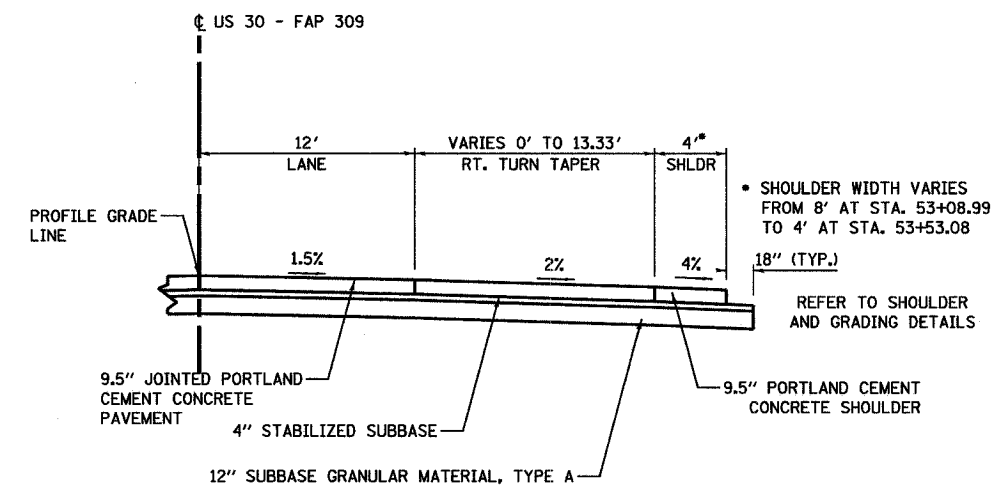


NOTE:

PAVEMENT FROM STA. 52+79.26 TO STA. 53+08.99 IS BRIDGE APPROACH PAVEMENT CONNECTOR (PCC).
PAVEMENT FROM STA. 53+08.99 TO STA. 53+49.71 IS CONTINUOUSLY REINFORCED PCC PAVEMENT.
PAVEMENT FROM STA. 53+49.71 TO 55+00.00 IS JOINTED PCC PAVEMENT.

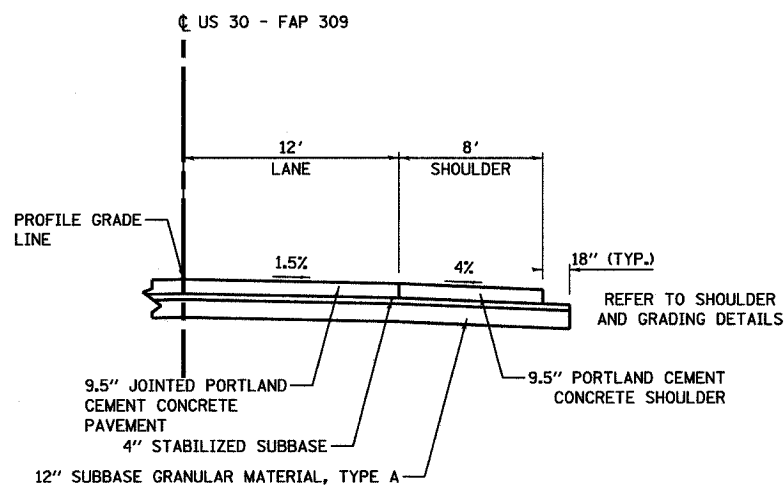
TYPICAL SECTION 'D' LEFT PAVEMENT SECTION

US 30 STA. 52+79.26 TO US 30 STA. 55+00.00



TYPICAL SECTION 'F' RIGHT PAVEMENT SECTION

US 30 STA. 53+08.99 TO US 30 STA. 54+56.51

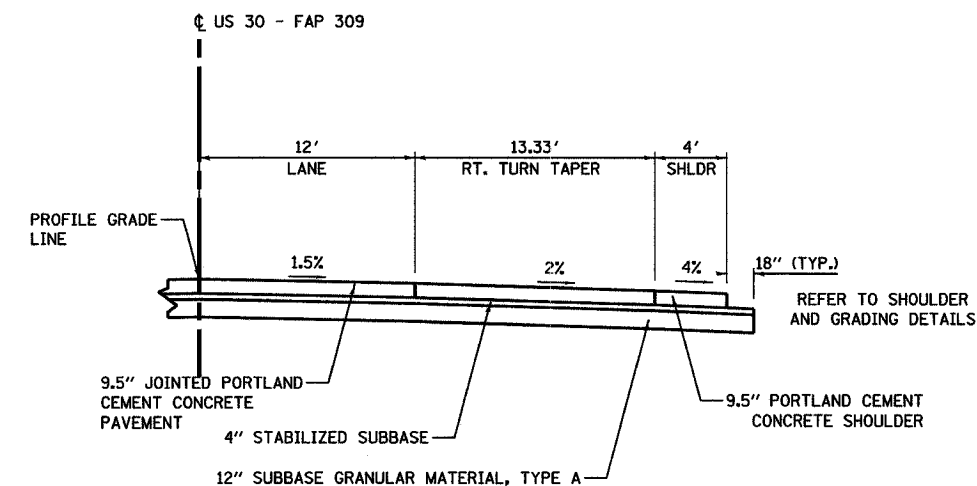


TYPICAL SECTION 'E' RIGHT PAVEMENT SECTION

US 30 STA. 52+79.26 TO US 30 STA. 53+08.99

NOTE:

PAVEMENT FROM STA. 52+79.26 TO STA. 53+08.99 IS BRIDGE APPROACH PAVEMENT CONNECTOR (PCC).
PAVEMENT FROM STA. 53+08.99 TO STA. 53+49.71 IS CONTINUOUSLY REINFORCED PCC PAVEMENT.
PAVEMENT FROM STA. 53+49.71 TO 55+00.00 IS JOINTED PCC PAVEMENT.



TYPICAL SECTION 'G' RIGHT PAVEMENT SECTION

US 30 STA. 54+56.51 TO US 30 STA. 55+00.00

REVISIONS	
NAME	DATE

ILLINOIS DEPARTMENT OF TRANSPORTATION

TYPICAL SECTIONS

SCALE: VERT.
HORIZ.
DATE 08/25/2005

DRAWN BY SWEET
CHECKED BY ZELINSKAS