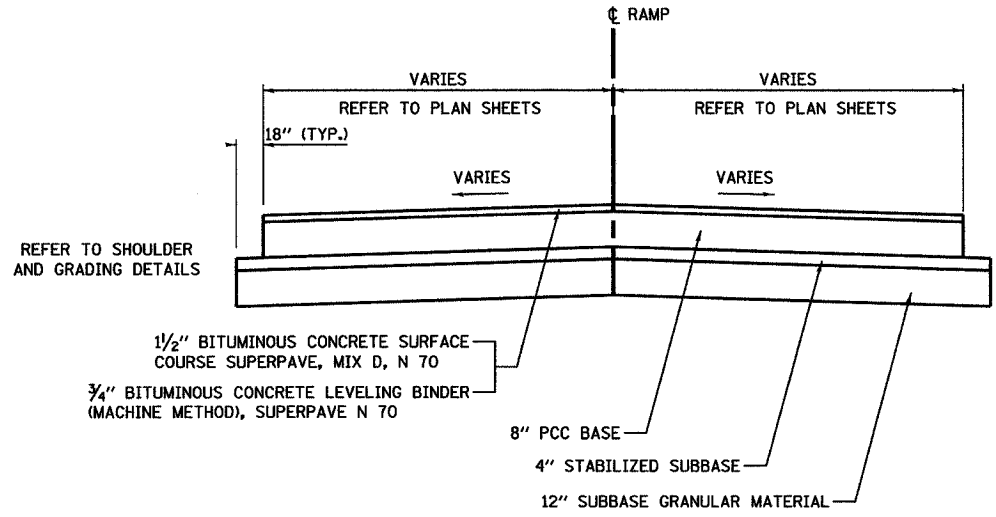
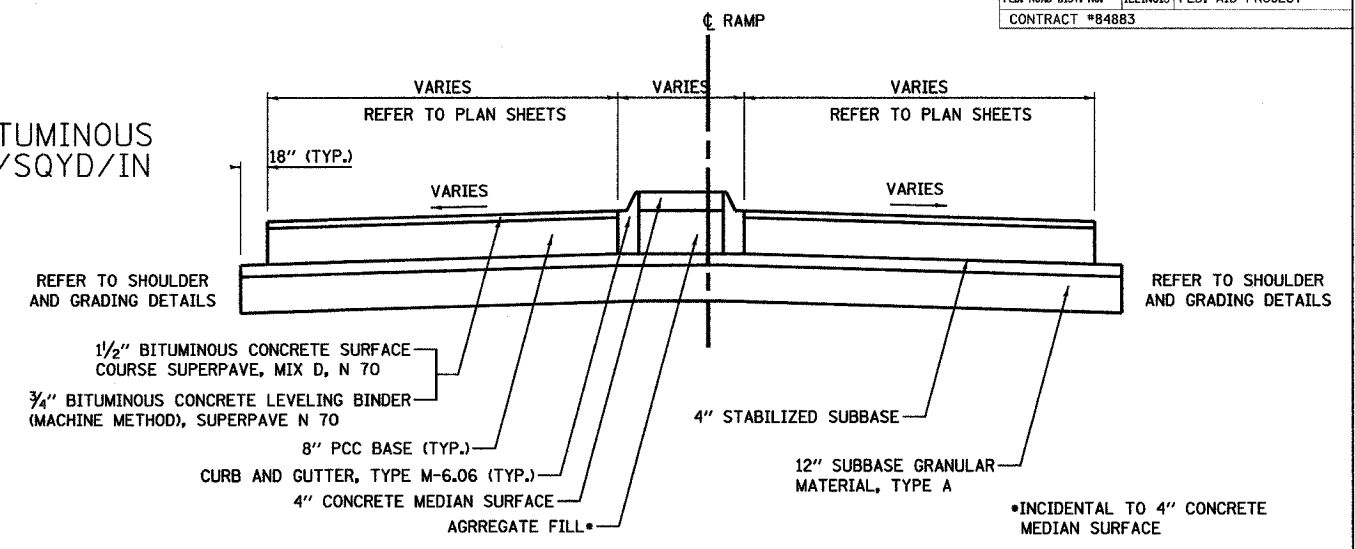


F.A.P. RTE.	SECTION	COUNTY	TOTAL SHEETS	SHEET NO.
309	7HBR&7VBR	WHITESIDE	146	9
STA.		TO STA.		
FED. ROAD DIST. NO.		ILLINOIS	FED. AID PROJECT	
CONTRACT #84883				

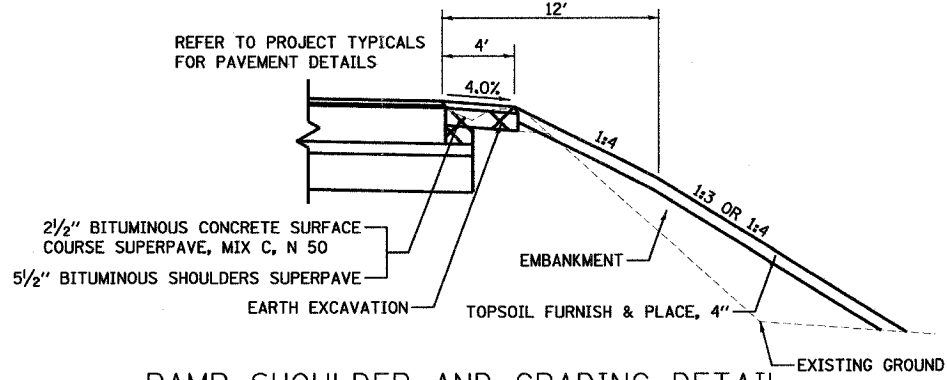


TYPICAL SECTION 'L'  
RAMP PAVEMENT SECTION

NOTE: WEIGHT OF BITUMINOUS MATERIAL = 112 LBS/SQYD/IN

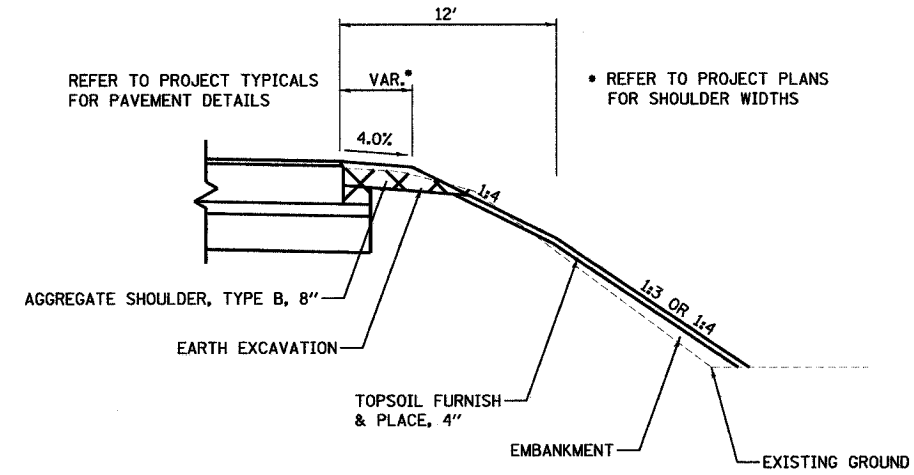


TYPICAL SECTION 'M'  
RAMP PAVEMENT SECTION w/ ISLAND



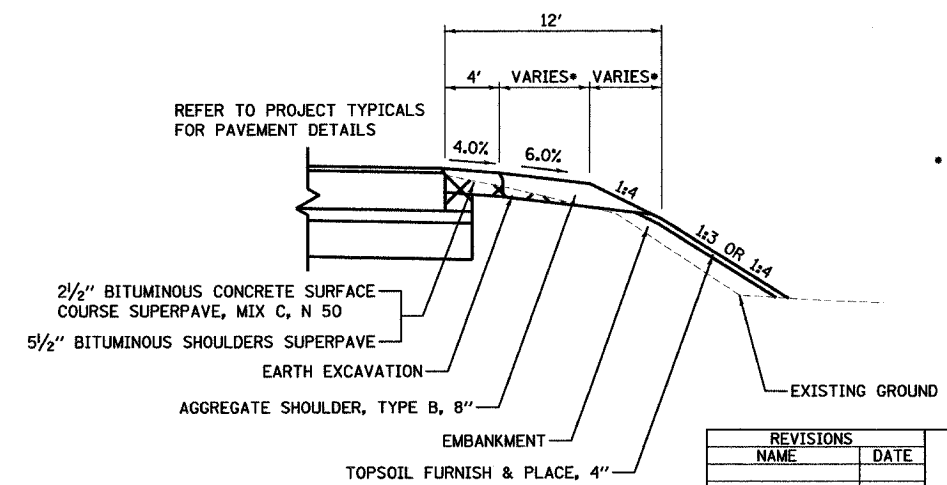
RAMP SHOULDER AND GRADING DETAIL

N. RAMP STA. 201+63.16 LT. TO US 30 STA. 58+35.54 LT.  
US 30 STA. 55+90.13 RT. TO S. RAMP STA. 302+00.00 RT.  
S. RAMP STA. 301+50.00 RT. TO US 30 STA. 58+67.63 RT.  
US 30 STA. 56+31.18 LT. TO N. RAMP STA. 201+13.39 LT.



RAMP SHOULDER AND GRADING DETAIL

N. RAMP STA. 201+13.39 LT. TO N. RAMP STA. 201+63.16 LT.  
S. RAMP STA. 301+50.00 LT. TO S. RAMP STA. 302+00.00 LT.



RAMP SHOULDER AND GRADING DETAIL

US 30 STA. 55+00.00 LT. TO US 30 STA. 56+31.18 LT.

REVISIONS	
NAME	DATE

ILLINOIS DEPARTMENT OF TRANSPORTATION

TYPICAL SECTIONS

SCALE: VERT. HORIZ. DATE 08/25/2005

DRAWN BY SWEET CHECKED BY ZELINSKAS