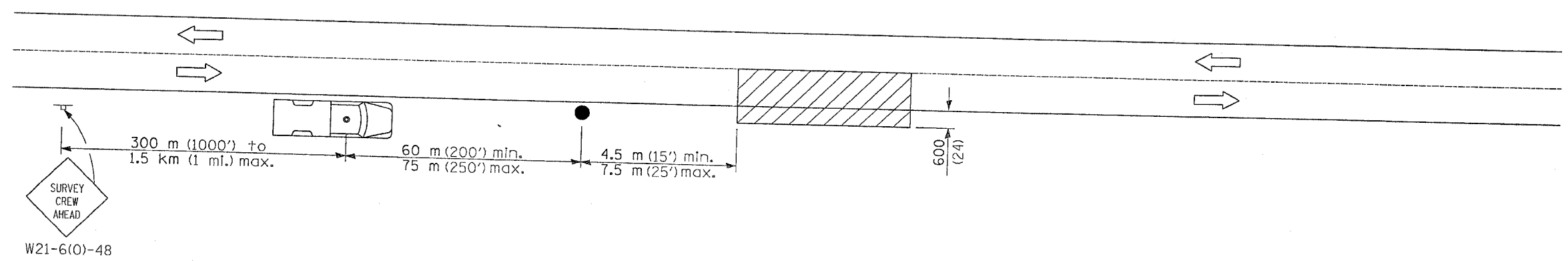
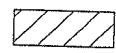



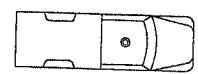
F.A.P. RTE.	SECTION	COUNTY	TOTAL SHEETS	SHEET NO.
309	7HBR-1 & 7VBR	WHITESIDE	146	37
STA.		TO STA.		
FED. ROAD DIST. NO.		ILLINOIS FED. AID PROJECT		




SYMBOLS

 Work area

 Sign on portable or permanent support

 Truck with flashing amber light and dual emergency flashers

 Flagger with traffic control sign

TYPICAL APPLICATIONS
Utility operations

All dimensions are in millimeters (inches) unless otherwise shown.

DATE	REVISIONS

DETAIL FOR
NIGHTTIME LIGHTING
INSPECTION