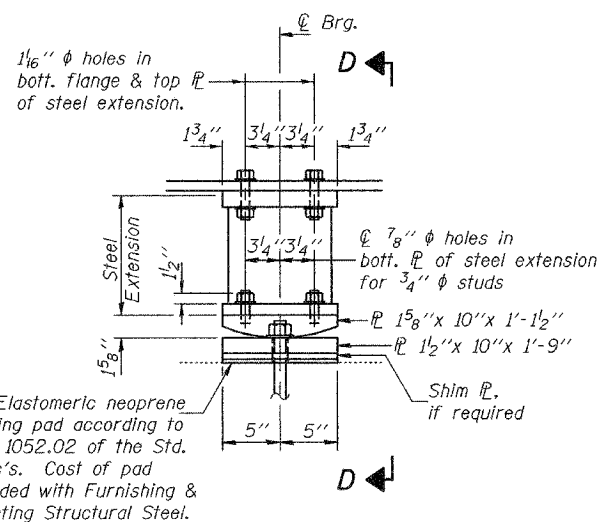


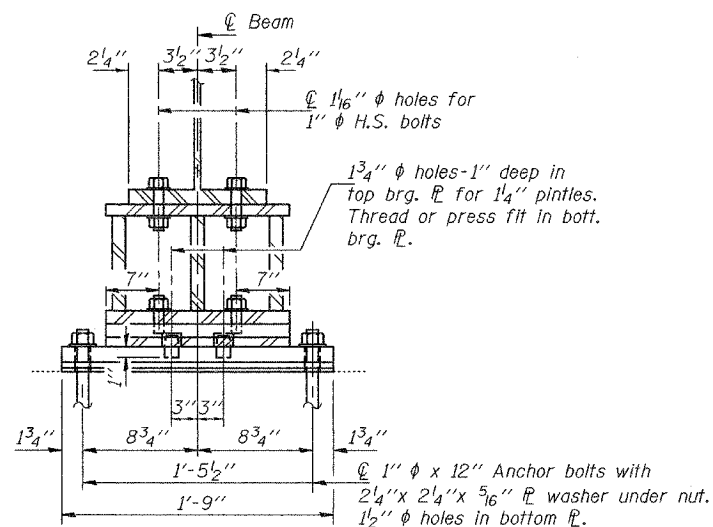
STATE OF ILLINOIS
DEPARTMENT OF TRANSPORTATION

ROUTE NO. F.A.P. 309	SECTION 7HBR-1	COUNTY WHITESIDE	SHEET 14b	SHEET 50	SHEET NO. 13 23 SHEETS
FED. ROAD DIST. NO. 7		ILLINOIS		FED. AID PROJECT	

Contract #84883

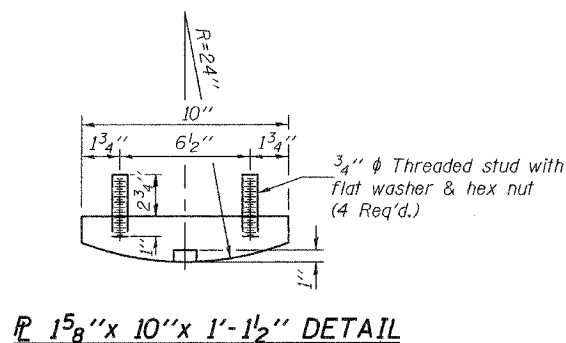


ELEVATION AT PIER 2

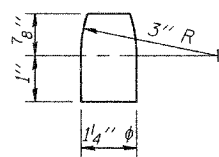


SECTION D-D

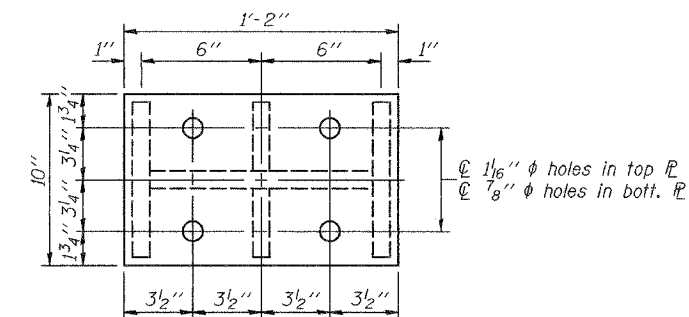
FIXED BEARING
(At Beams 1A & 5A - 2 total)



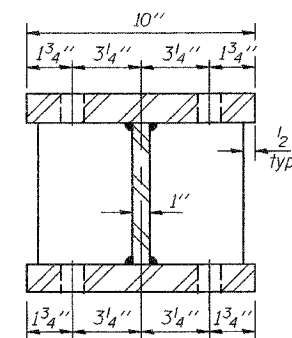
1 5/8" x 10" x 1-1/2" DETAIL



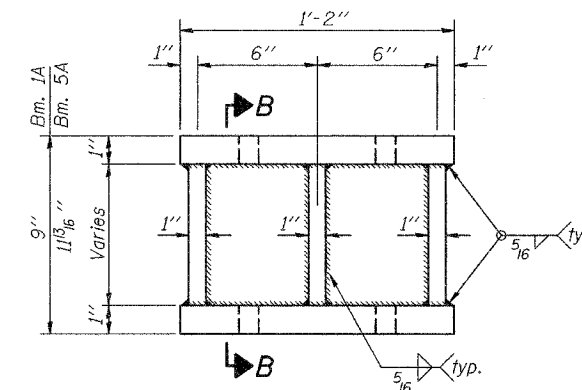
PINTLE



PLAN-TOP & BOTTOM PLATE



SECTION B-B



STEEL EXTENSION DETAIL

Notes: Anchor bolts of fixed bearing under new beams
may be built into masonry.
For anchor bolt installation, see sheet 14 of 23.

DESIGNED	CCC
CHECKED	DPN
DRAWN	h.t. duong
CHECKED	CCC/DPN

Oct. 11, 2005

EXAMINED *Thomas J. Demagala*
ENGINEER OF BRIDGE DESIGN

PASSED *Ralph E. Anderson*
ENGINEER OF BRIDGES AND STRUCTURES

BEARING DETAILS
F.A.P. RTE. 309 - SEC. 7HBR-1
WHITESIDE COUNTY
STATION 51+17.83
STRUCTURE NO. 098-6000