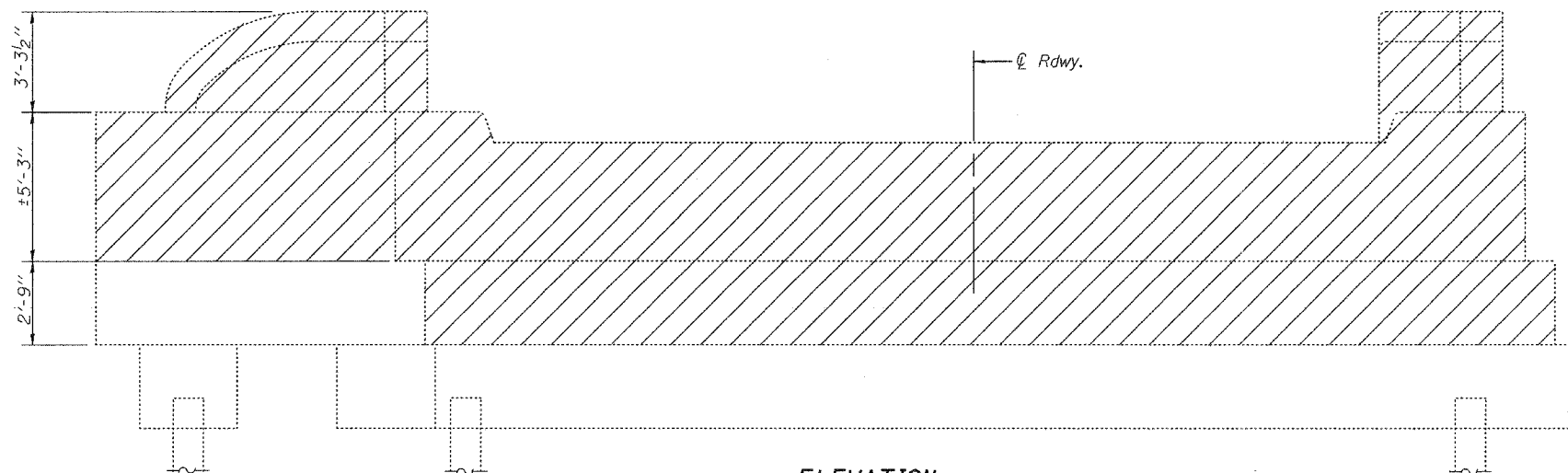


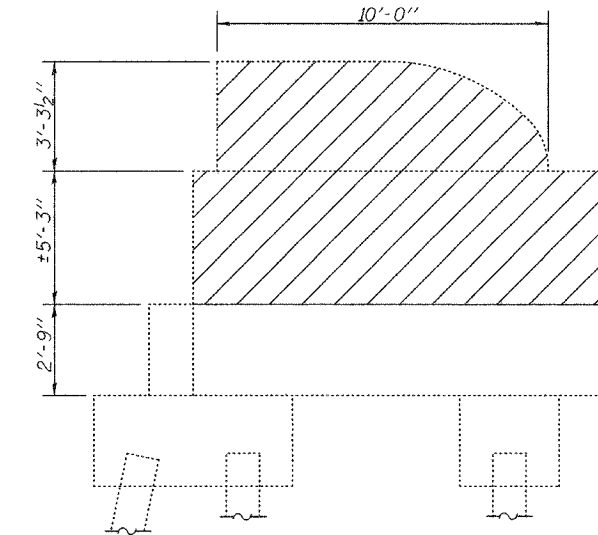
STATE OF ILLINOIS
DEPARTMENT OF TRANSPORTATION

ROUTE NO. F.A.P. 309	SECTION 7VBR	COUNTY WHITESIDE	SHEET NO. 146	SHEET NO. 72	SHEET NO. 12 22 SHEETS
FED. ROAD DIST. NO. 7		ILLINOIS	FED. AID PROJECT		

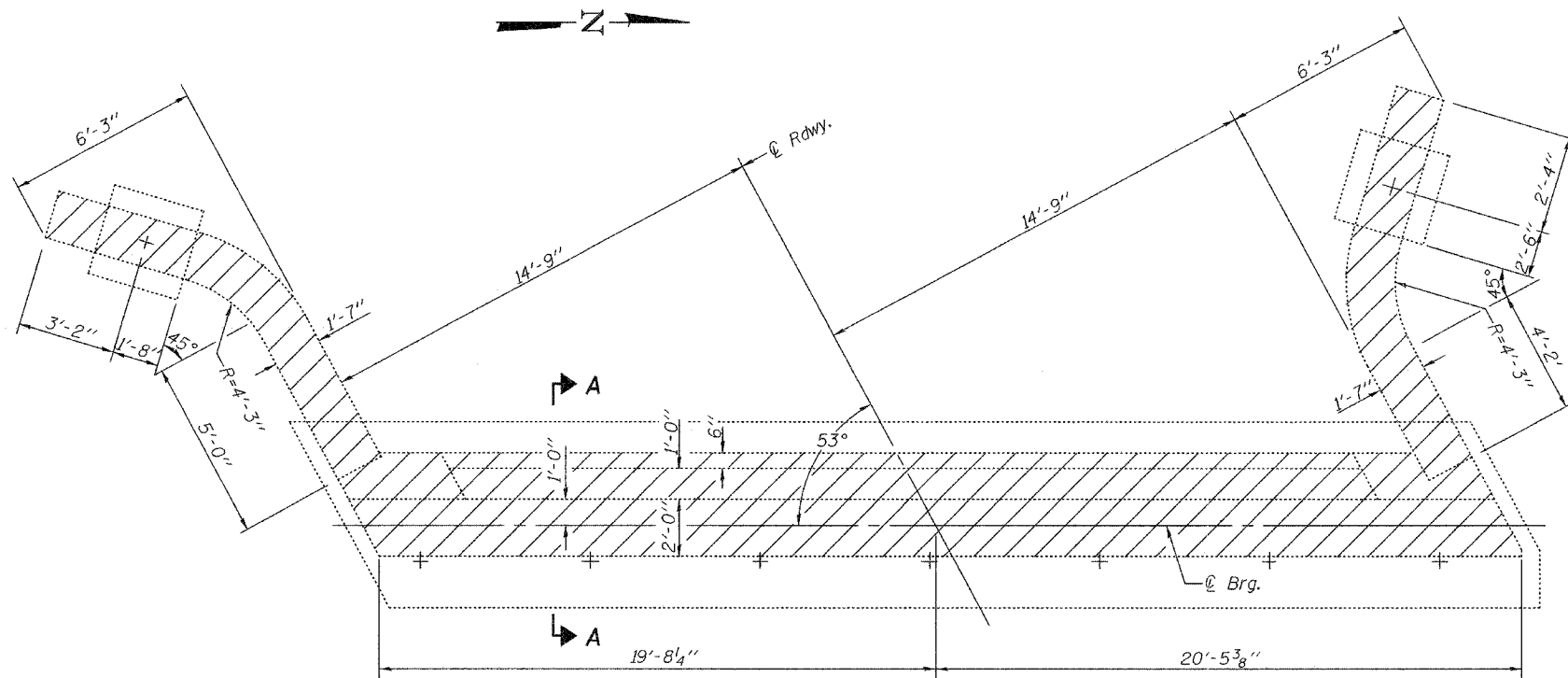
Contract #84883



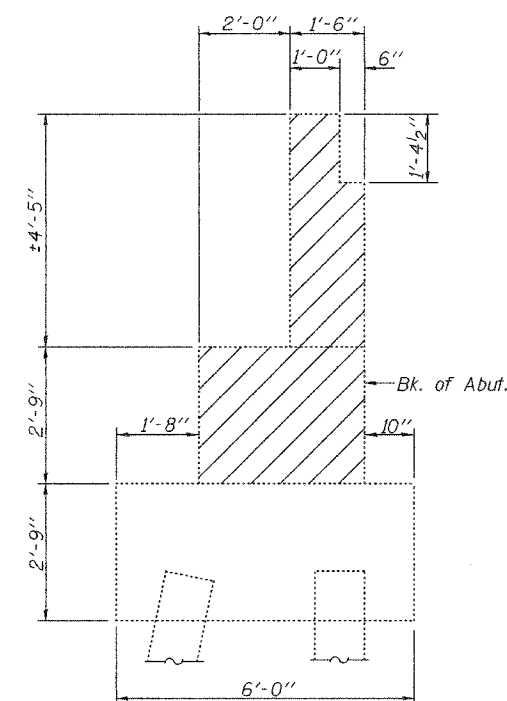
ELEVATION
(West Abut. shown
East similar)



WINGWALL ELEVATION



PLAN



SECTION A-A

BILL OF MATERIAL

Item	Unit	Total
Concrete Removal	Cu. Yd.	72.0

Notes: Hatched areas indicate Concrete Removal.
Existing reinforcement not extending into the new construction shall be cut off flush and covered with a 2" layer of cement grout. Cost included with Concrete Removal.
Existing reinforcement bars extending into removal area shall be cleaned, straightened and incorporated into the new construction. Any reinforcement bars that are damaged during concrete removal shall be replaced with an approved bar splicer or anchorage system. Cost included with Concrete Removal.

DESIGNED Patrick M. Petrone
CHECKED Stephen M. Ryan
DRAWN R. Sommer
CHECKED P.M.P./S.M.R.

October 11, 2005
EXAMINED Thomas J. Demagalaki
PASSED Ralph E. Anderson

CONCRETE REMOVAL - ABUTMENTS
F.A.P. RT. 309 SEC. 7VBR
WHITESIDE COUNTY
STATION 47+18.53
STRUCTURE No. 098-6001