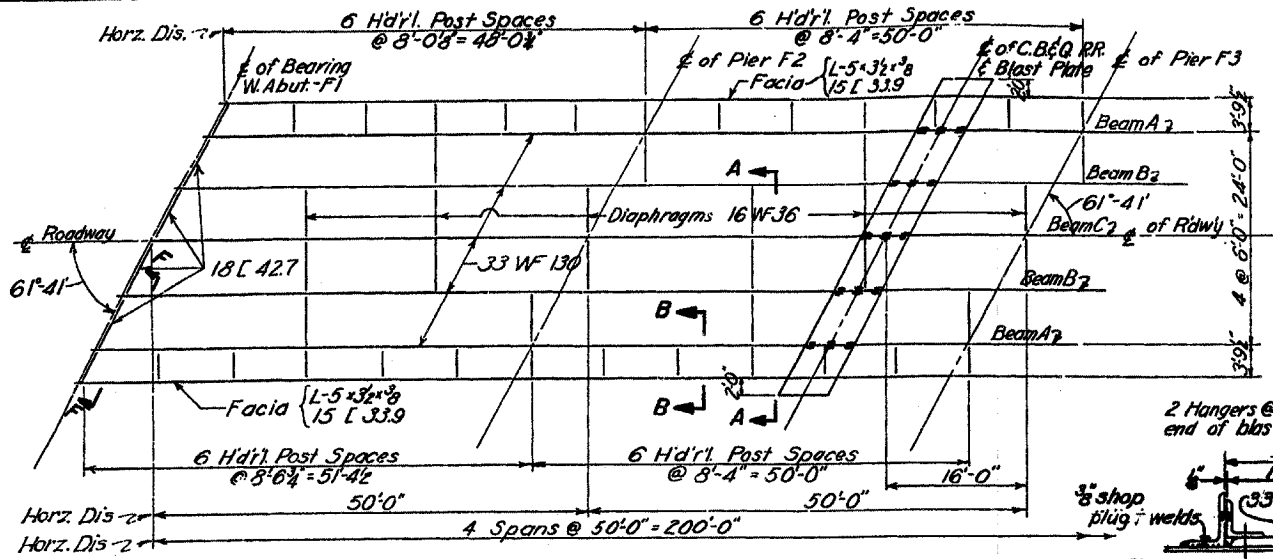
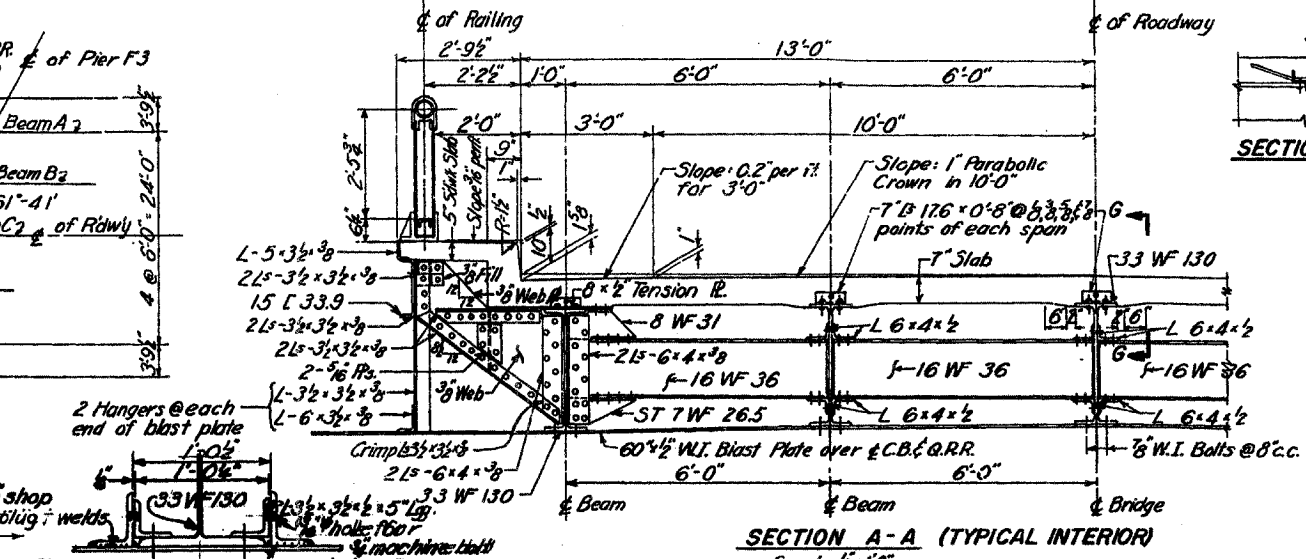


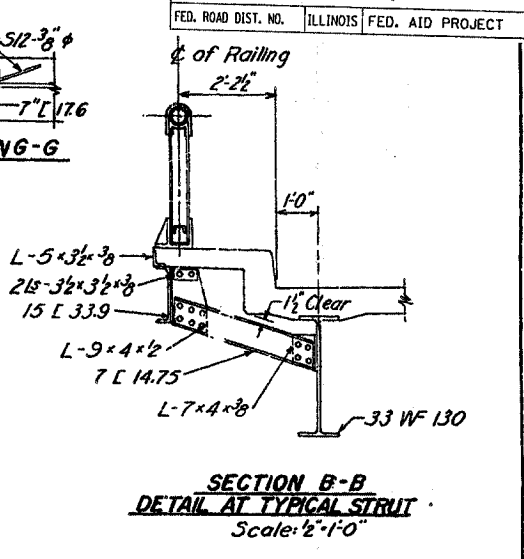
F.A.R. RTE.	SECTION	COUNTY	TOTAL SHEETS	SHEET NO.
309	7HBR-1 & 7VBR	WHITESIDE	146	85
STA.	TO STA.			
FED. ROAD DIST. NO.	ILLINOIS	FED. AID PROJECT		



PLAN OF STEEL LAYOUT
Symmetrical By Rotation About & Pier F3 (Except Blast Pl.)
Scale: 1"=10'-0"



SECTION A-A (TYPICAL INTERIOR)
Scale: 1/2"=1'-0"



**SECTION B-B
DETAIL AT TYPICAL STRUT**
Scale: 1/2"=1'-0"

DL	14
LL	33
TOTAL	57

DL	+129
LL	+297
I	+85
TOTAL	+511
	SM _R =341

DL	38
LL	41
TOTAL	91

DL	-179
LL	-214
I	-61
TOTAL	-454
	SM _R =303

DL	31
LL	40
TOTAL	82

DL	-119
LL	-196
I	-96
TOTAL	-411
	SM _R =248

Use 33 WF 130 - SM Furnished - 335 Net
BEAM C
Beam B Similar

DL	22
LL	23
I	7
SW	4
TOTAL	56

DL	+205
LL	+206
I	+59
SW	+39
TOTAL	+509
	SM _R =340

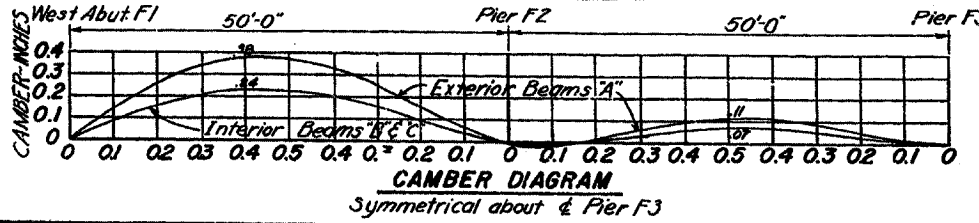
DL	61
LL	28
I	8
SW	10
TOTAL	107

DL	-285
LL	-149
I	-43
SW	-48
TOTAL	-525
	SM _R =350

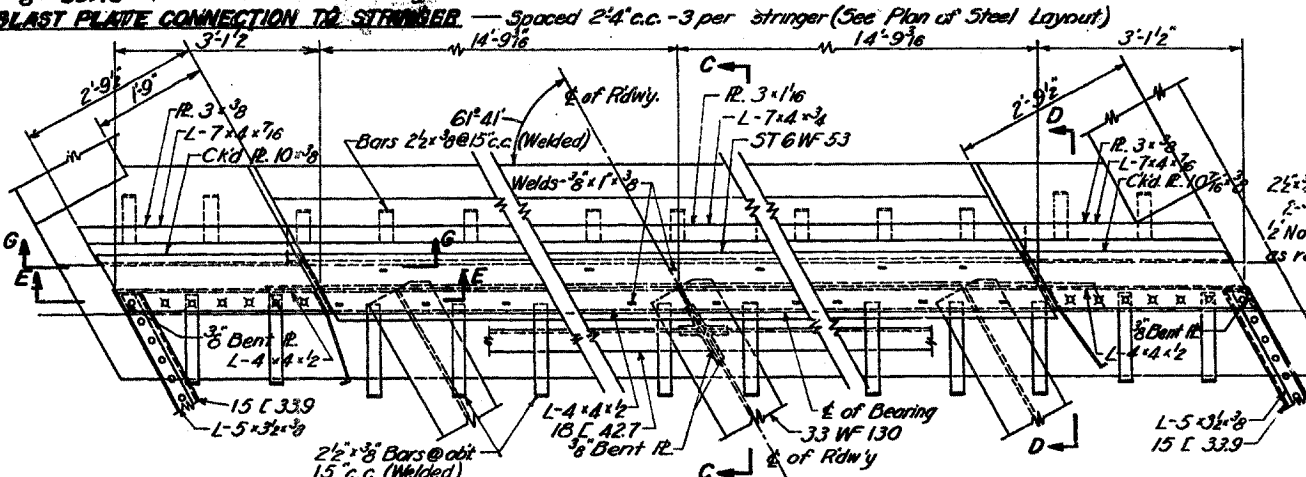
DL	50
LL	28
I	8
SW	9
TOTAL	95

DL	-190
LL	-136
I	-39
SW	-43
TOTAL	-408
	SM _R =272

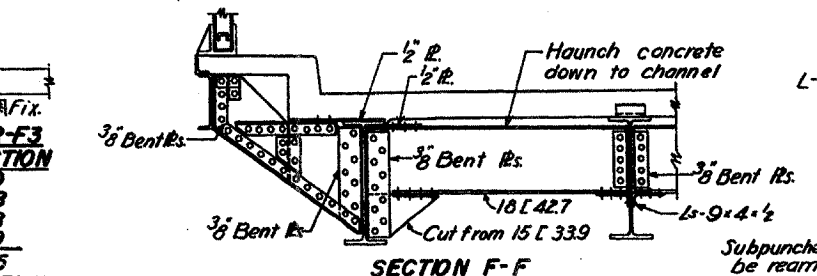
Use 33 WF 130 - SM Furnished - 335 Net
With 4 Cov. Pls. 4x8 - SM Furnished - 400 Net
BEAM D



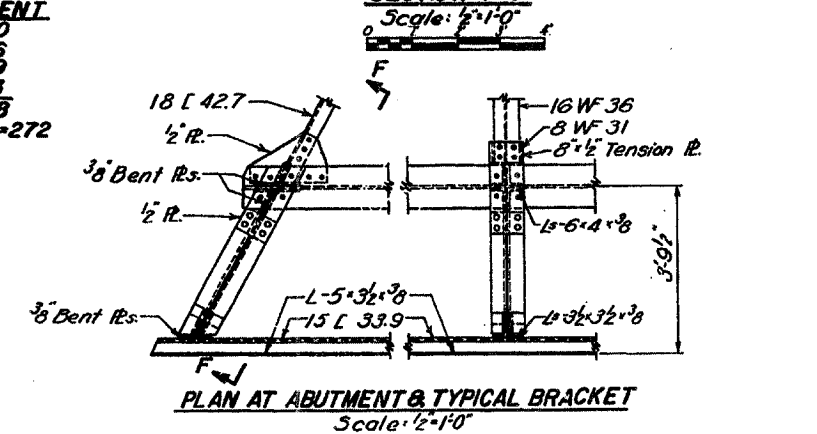
CAMBER DIAGRAM
Symmetrical about & Pier F3



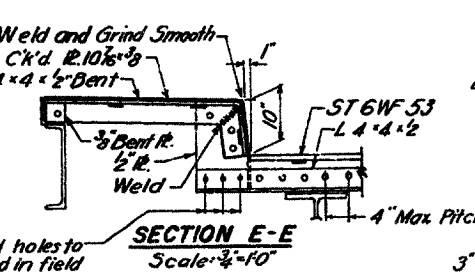
PLAN OF ABUTMENT EXPANSION DAM
Scale: 1/4"=1'-0"



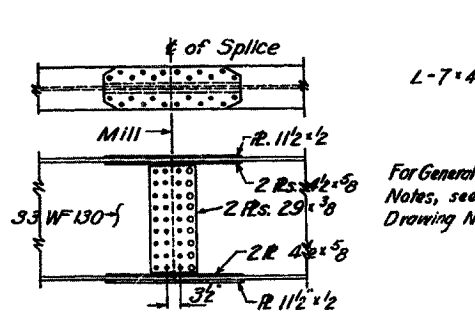
SECTION F-F
Scale: 1/2"=1'-0"



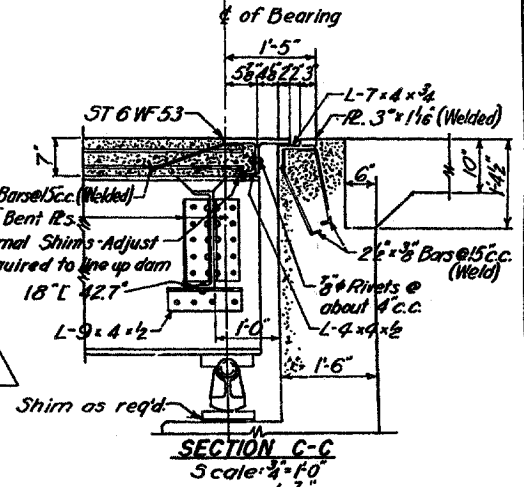
PLAN AT ABUTMENT & TYPICAL BRACKET
Scale: 1/2"=1'-0"



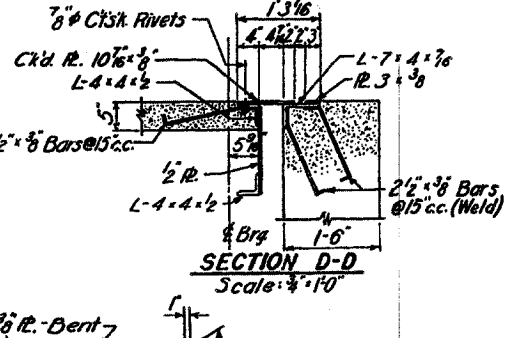
SECTION E-E
Scale: 1/4"=1'-0"



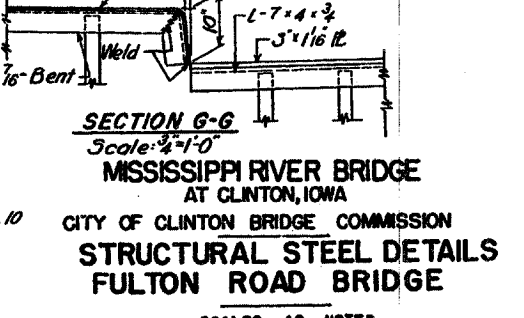
BEAM SPLICE
Scale: 1/2"=1'-0"



SECTION C-C
Scale: 1/4"=1'-0"



SECTION D-D
Scale: 1/4"=1'-0"



SECTION G-G
Scale: 1/4"=1'-0"

MISSISSIPPI RIVER BRIDGE
AT CLINTON, IOWA
CITY OF CLINTON BRIDGE COMMISSION
STRUCTURAL STEEL DETAILS
FULTON ROAD BRIDGE

SCALES AS NOTED

CONTRACT NO. 7 DRAWING NO. 5
MODJESKI & MASTERS ENGINEERS
OCTOBER, 1951

APPROVED:
F. M. Mastros
FOR MODJESKI & MASTERS