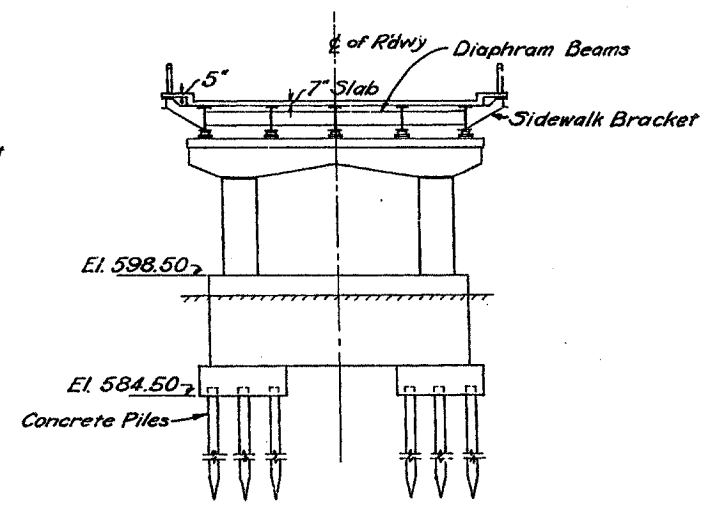
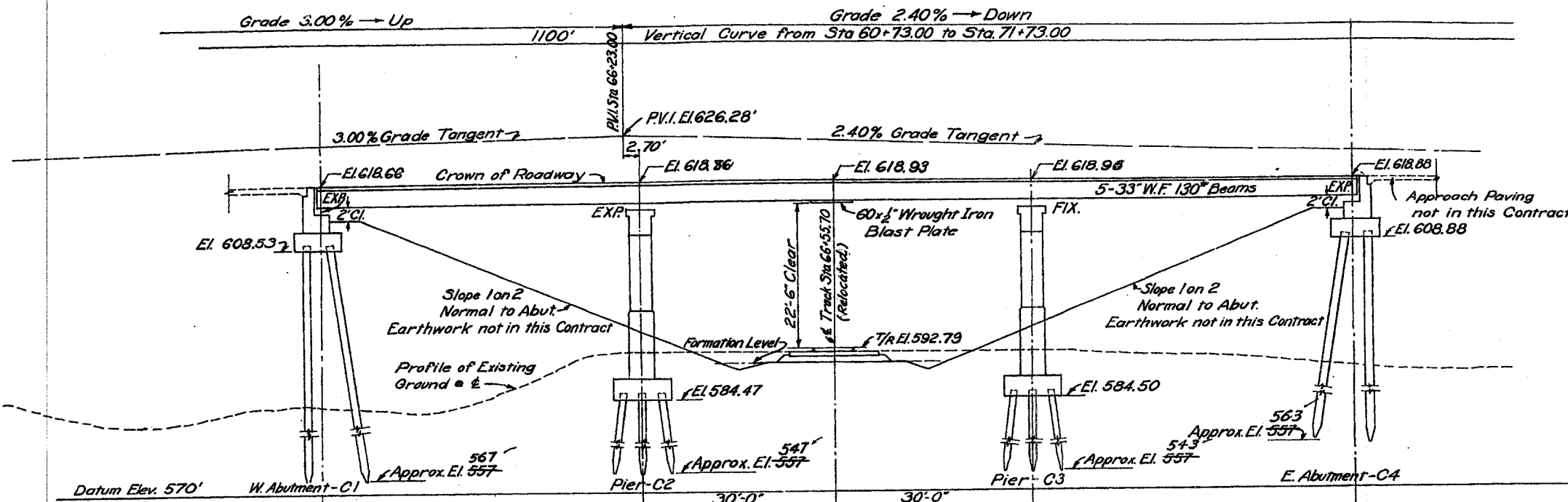
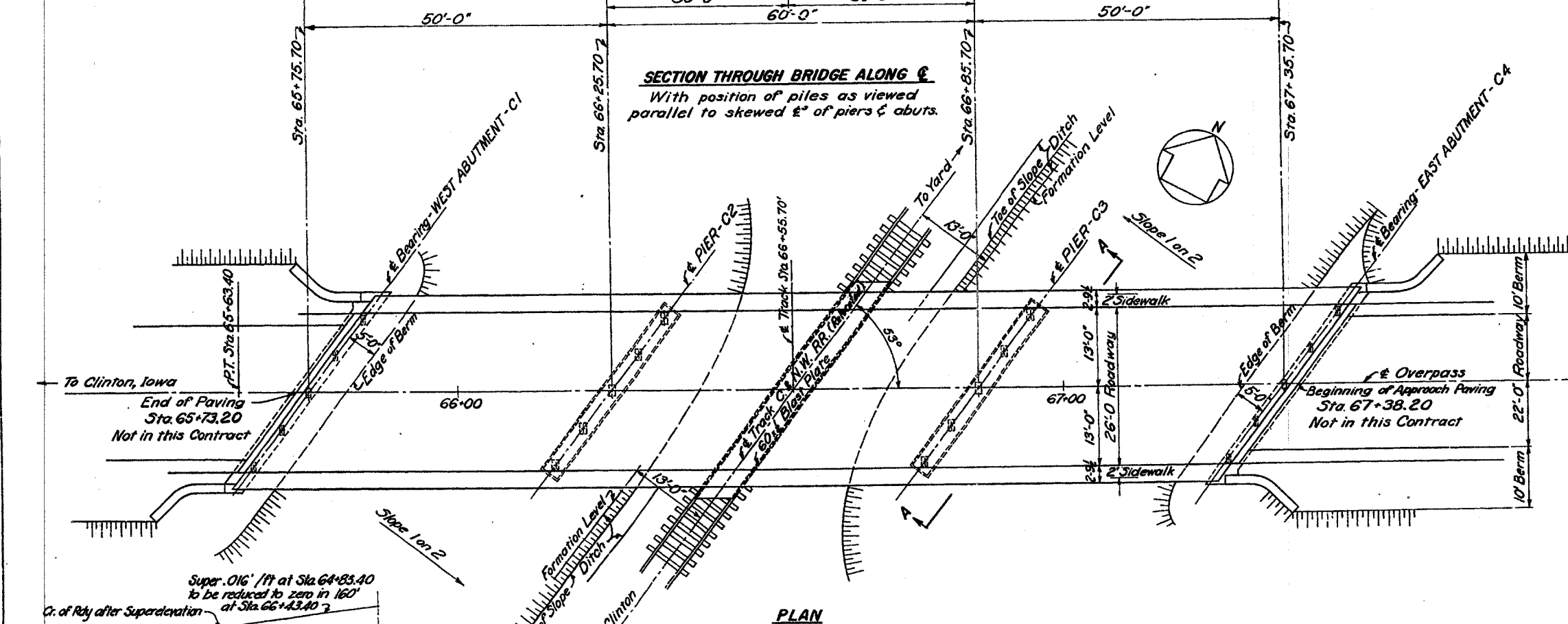


F.A. P. R.T.E.	SECTION	COUNTY	TOTAL SHEETS	SHEET NO.
309	7HBR-1 & 7VBR	WHITESIDE	146	87
STA.	TO STA.			
FED. ROAD DIST. NO.	ILLINOIS	FED. AID PROJECT		

SN 098-6001



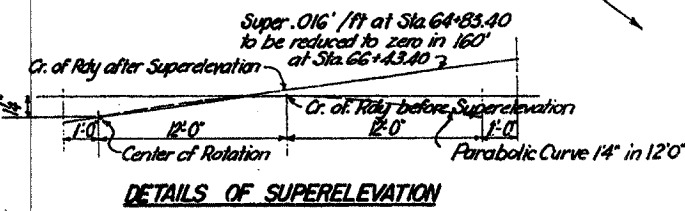
SECTION A-A



SECTION THROUGH BRIDGE ALONG ϵ
With position of piles as viewed parallel to skewed ϵ of piers & abuts.

PLAN

NOTES:
There shall be a single vertical test pile driven in each pier and each abutment, and one of the pier vertical test piles shall carry a load test. (Load Test Waived)



DETAILS OF SUPERELEVATION

**MISSISSIPPI RIVER BRIDGE
AT CLINTON, IOWA
CITY OF CLINTON BRIDGE COMMISSION
GENERAL PLAN & ELEVATION
C. & N.W. RR. OVERPASS**

CONTRACT NO. 7 SCALE DRAWING NO. 7
MODJESKI & MASTERS ENGINEERS
OCTOBER, 1951

APPROVED:
J. M. Mastros
FOR MODJESKI & MASTERS

THIS DRAWING REVISED JAN 1957 TO SHOW THE WORK AS CONSTRUCTED DR. 77K TR. HHR/CL/RWC