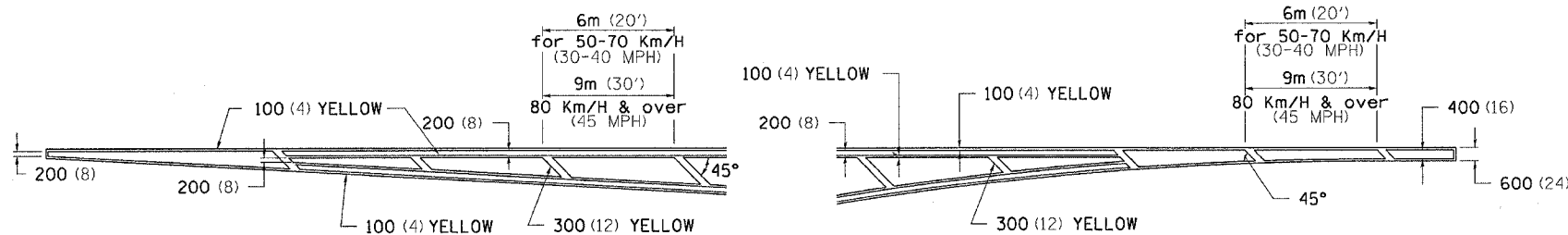


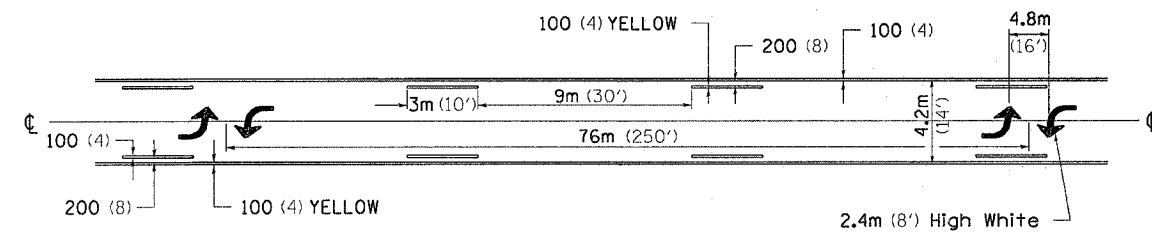
F.A. P. RTE.	SECTION	COUNTY	TOTAL SHEETS	SHEET NO.
309	THBR-1 & TVBR	WHITESIDE	146	95
STA.		TO STA.		
FED. ROAD DIST. NO.		ILLINOIS FED. AID PROJECT		

TYPICAL PAVEMENT MARKINGS

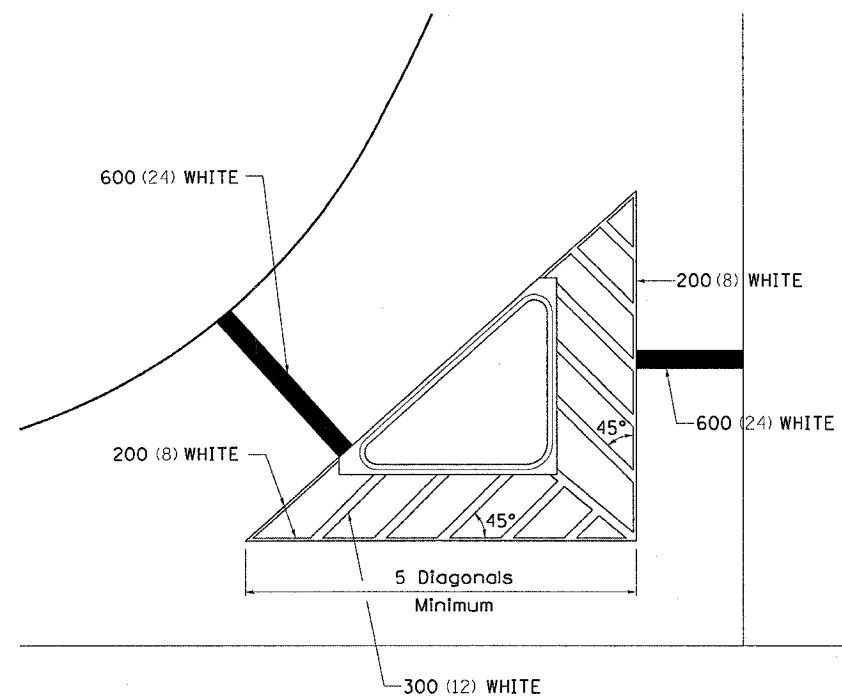
TYPICAL PAVEMENT MARKING FOR FLUSH MEDIAN



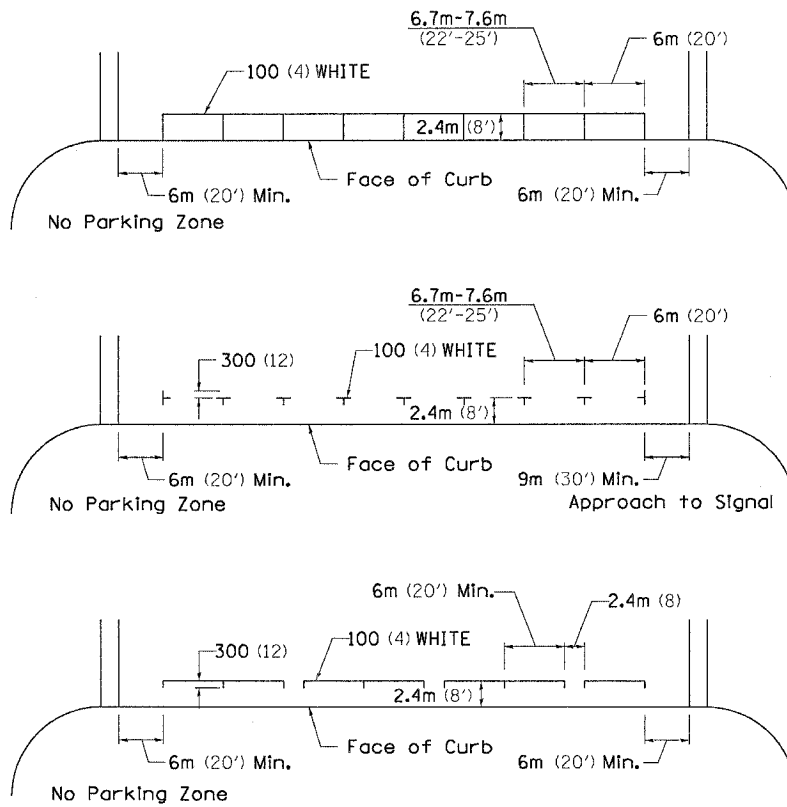
MEDIAN PAVEMENT MARKING



TYPICAL ISLAND OFFSET SHOULDER WIDTH



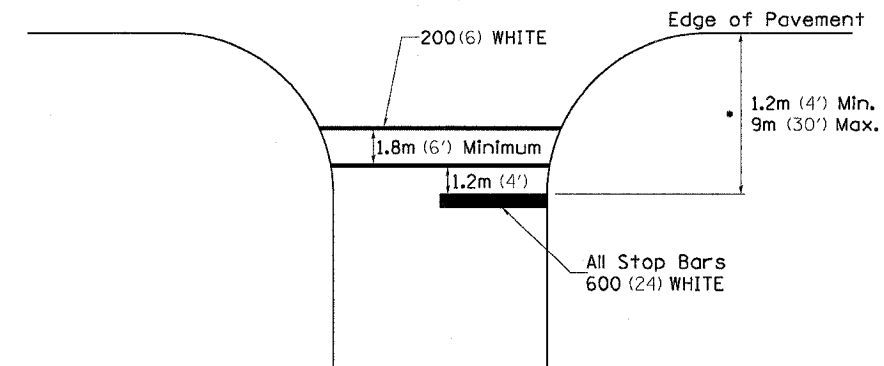
TYPICAL PARKING SPACING



•• ALL DIMENSIONS ARE IN MILLIMETERS (INCHES) UNLESS OTHERWISE NOTED.

STANDARD CROSSWALK MARKING

See Schedules for Locations



• Distance to the nearest edge of the intersecting roadway in the absence of a marked crosswalk.

PLOT DATE = Wed Aug 17 11:59:44 2005
 FILE NAME = c:\p\projects\2280485\2280485.dgn
 PLOT SCALE = 50.0000 / IN.
 REFERENCE = REF#