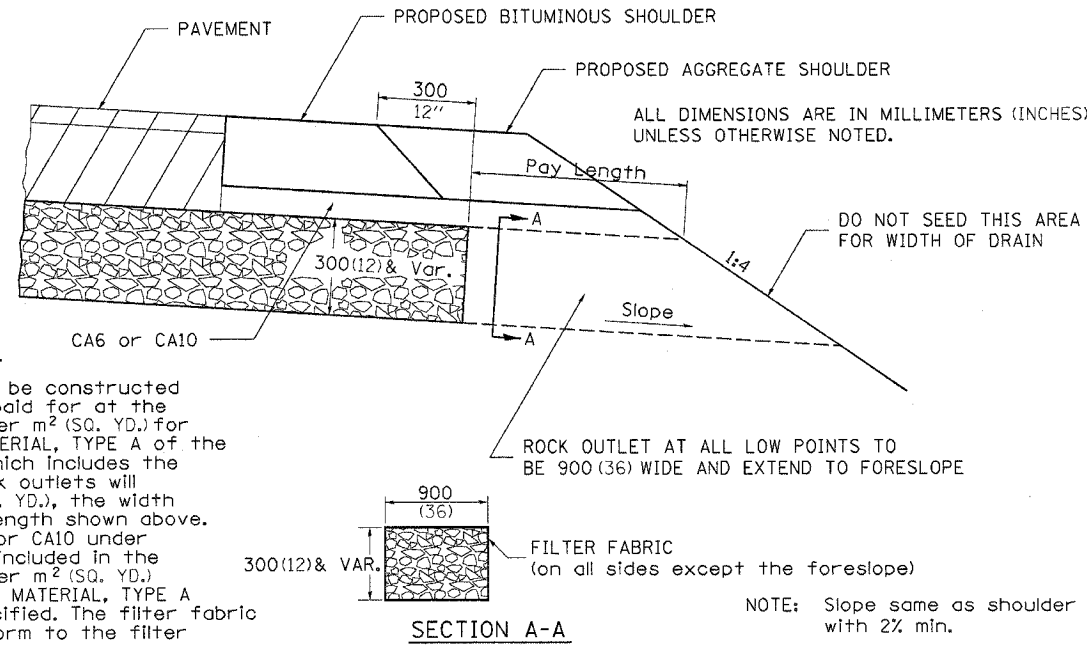


F.A.P. RTE.	SECTION	COUNTY	TOTAL SHEETS	SHEET NO.
309	7HBR-1&TVBR	Whiteside	146	100
STA.		TO STA.		
FED. ROAD DIST. NO.		ILLINOIS		FED. AID PROJECT

DRAIN FOR AGGREGATE BASE COURSE



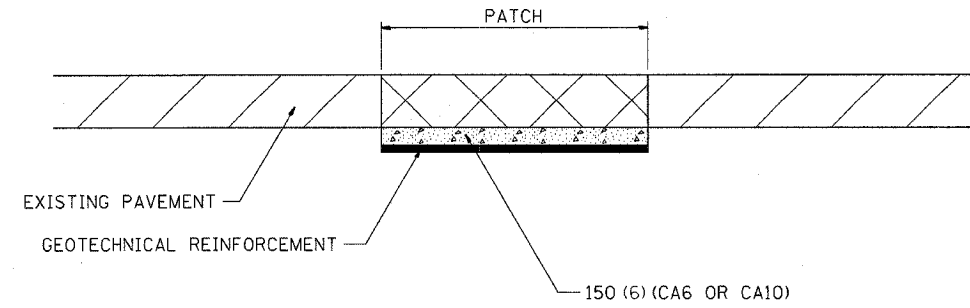
NOTES:

The rock outlets shall be constructed using CA7 and will be paid for at the contract unit price per m² (SQ. YD.) for SUB-BASE GRANULAR MATERIAL, TYPE A of the thickness specified which includes the filter fabric. The Rock outlets will be measured in m² (SQ. YD.), the width being 900 (36) by the length shown above. The cost of the CA6 or CA10 under the shoulder shall be included in the contract unit price per m² (SQ. YD.) for SUB-BASE GRANULAR MATERIAL, TYPE A of the thickness specified. The filter fabric to be used shall conform to the filter fabric used for Riprap.

DRAIN FOR AGGREGATE BASE COURSE 96.4

REVISED 7-13-95

SUBGRADE REPLACEMENT



NOTES:

The Engineer will determine which patches will require Subgrade Replacement, generally when the Q_u of the Subgrade $< 0.3TSF$ or if patch density is questionable.

UNSTABLE SUBGRADE MATERIAL SHALL BE REMOVED AND DISPOSED OF BY THE CONTRACTOR.

This work will be paid for at the contract unit price per m³ (CU. YD.) for GRANULAR SUBGRADE REPLACEMENT and per m² (SQ. YD.) for GEOTECHNICAL REINFORCEMENT.

ALL DIMENSIONS ARE IN MILLIMETERS (INCHES) UNLESS OTHERWISE NOTED.

SUBGRADE REPLACEMENT 97.4

REVISED 4-23-93