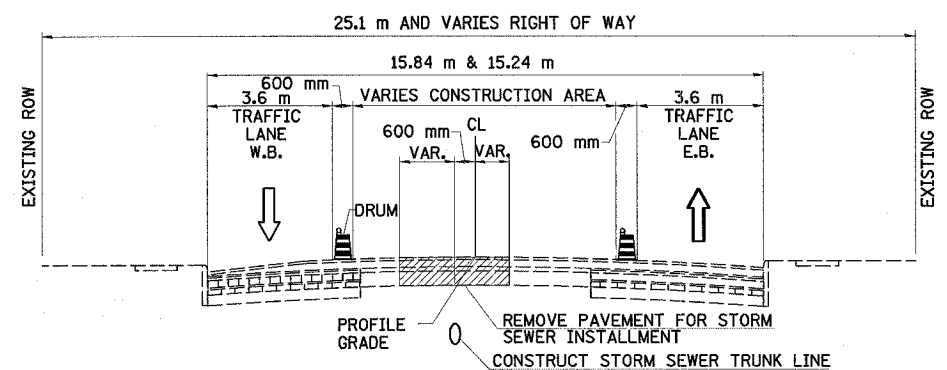


F.A.P. RTE.	SECTION	COUNTY	TOTAL SHEETS	SHEET NO.
729	34Z-4	VERMILION	285	37
STA.		TO STA.		
FED. ROAD DIST. NO.		ILLINOIS FED. AID PROJECT		

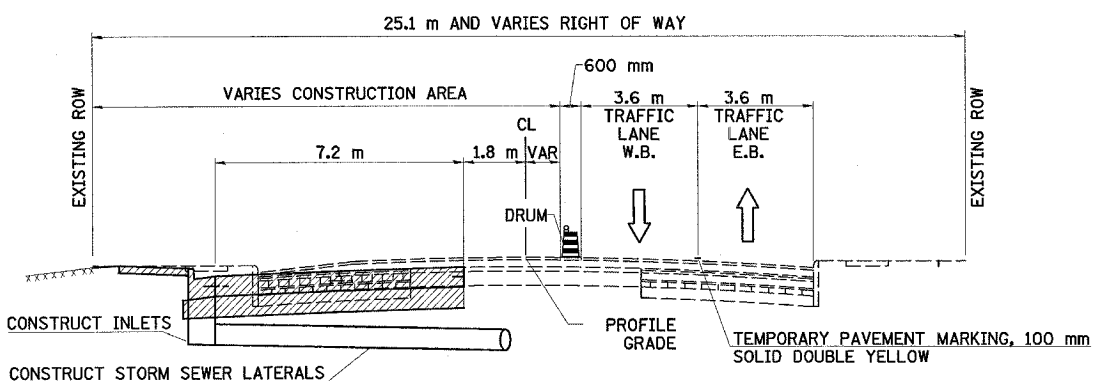
SEASON 1



AREA 1 - TYPICAL SECTION

STAGE 1

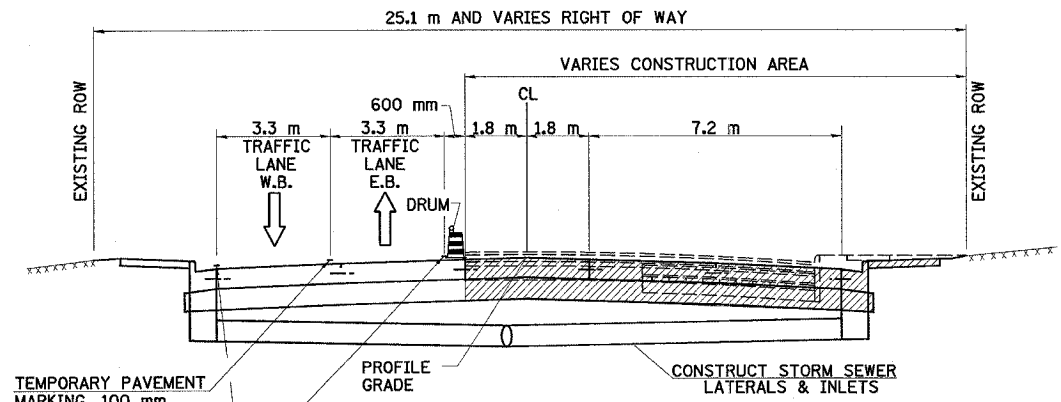
RT STA 90+943 TO RT STA 91+566.534
LT STA 90+943 TO LT STA 91+575.417



AREA 1 - TYPICAL SECTION

STAGE 2

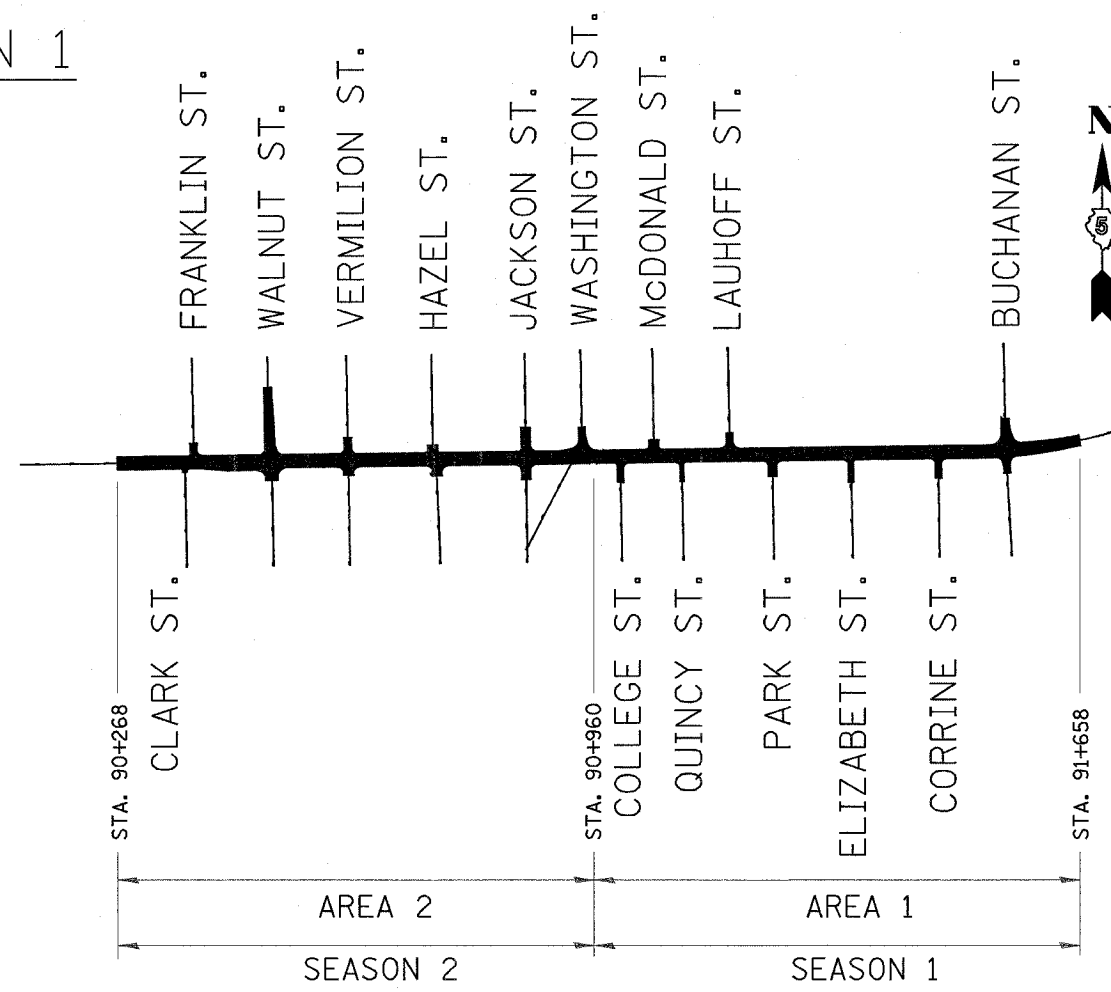
RT STA 90+960 TO RT STA 91+566.534
LT STA 90+960 TO LT STA 91+575.417



AREA 1 - TYPICAL SECTION

STAGE 3

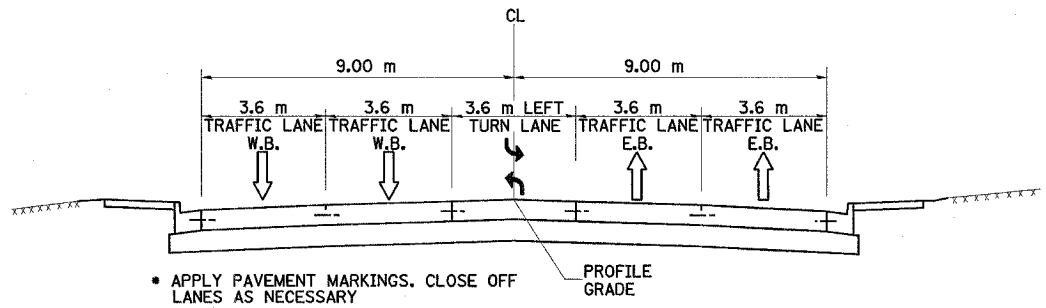
RT STA 90+960 TO RT STA 91+566.534
LT STA 90+960 TO LT STA 91+575.417



PLAN

NOTE:

SPACING FOR THE BARRICADES SHALL BE AT 15 m CENTERS. BARRICADES WILL BE PLACED OUTSIDE THE WORK AREA, BUT WILL NOT ENCRoACH MORE THAN 600 mm INTO THE OPEN TRAFFIC LANE.



AREA 1 - TYPICAL SECTION

STAGE 4

RT STA 90+960 TO RT STA 91+566.534
LT STA 90+960 TO LT STA 91+575.417

LEGEND

↑ DIRECTION OF TRAFFIC FLOW

▨ PROPOSED CONSTRUCTION

REVISIONS	
NAME	DATE

ILLINOIS DEPARTMENT OF TRANSPORTATION

MAINTENANCE OF TRAFFIC PLANS

U.S. ROUTE 136

SCALE 1:500 DRAWN BY FML
DATE 5/03 CHECKED BY IYL