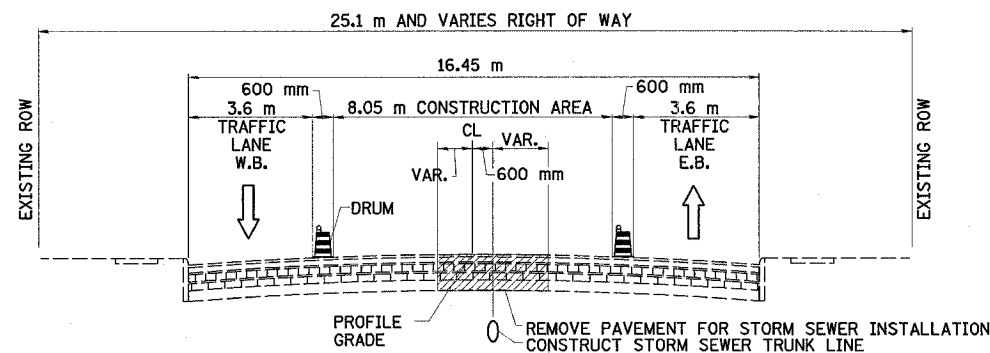


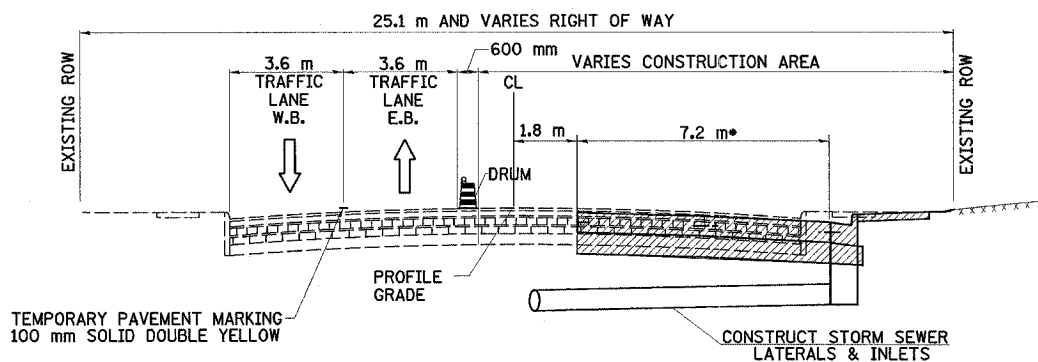
F.A.P. RTE.	SECTION	COUNTY	TOTAL SHEETS	SHEET NO.
729	34Z-4	VERMILION	285	39
STA.		TO STA.		
FED. ROAD DIST. NO.		ILLINOIS	FED. AID PROJECT	

SEASON 2



AREA 2 - TYPICAL SECTION
STAGE 1

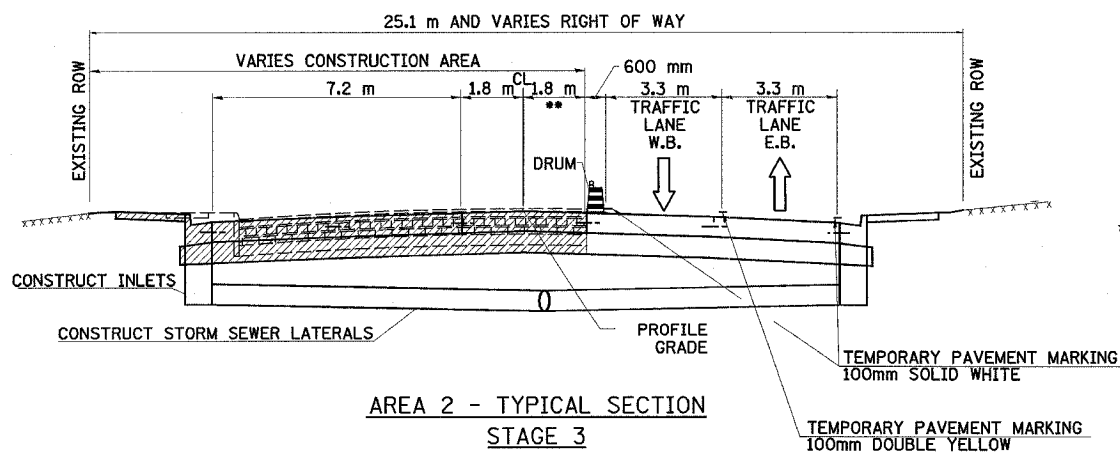
STA. 90+268.000 TO STA. 90+960.000



AREA 2 - TYPICAL SECTION
STAGE 2

STA 90+268.000 TO STA 90+388.900*
STA 90+469.197 TO RT STA 90+960.000

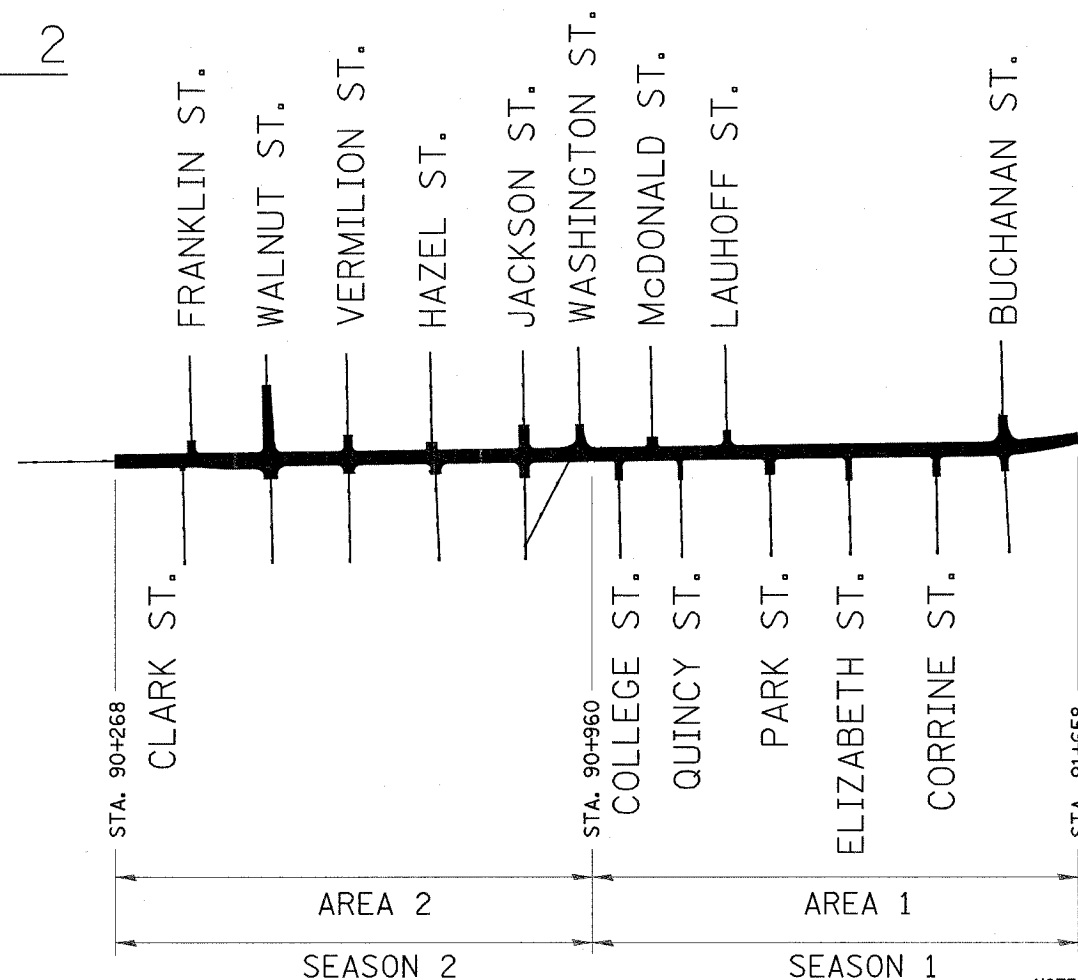
* FROM STA. 90+268.000 TO STA. 90+280.000
THE PAVEMENT SHALL BE CONSTRUCTED
TO THE ROADWAY CENTERLINE



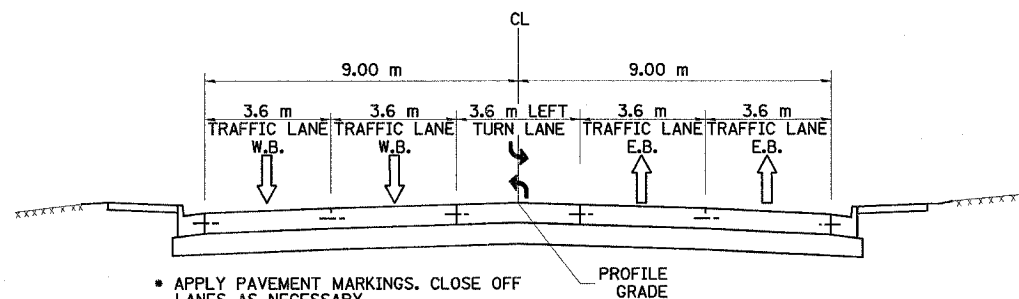
AREA 2 - TYPICAL SECTION
STAGE 3

STA 90+268.000 TO STA 90+388.900**
STA 90+469.197 TO RT STA 90+960.000

**FROM STA. 90+268.000 TO STA. 90+280.000
THE PAVEMENT RIGHT OF THE ROADWAY
CENTERLINE SHALL BE COMPLETED IN
STAGE II



PLAN



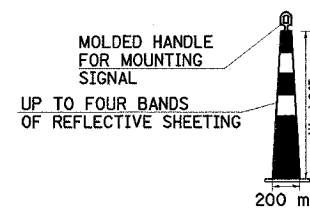
AREA 2 - TYPICAL SECTION
STAGE 4

STA 90+268.000 TO STA 90+388.900
STA 90+469.197 TO RT STA 90+960.000

NOTE:
SPACING FOR THE BARRICADES SHALL BE AT 15 m
CENTERS, BARRICADES WILL BE PLACED OUTSIDE
THE WORK AREA, BUT WILL NOT ENCR OACH MORE
THAN 600 mm INTO THE OPEN TRAFFIC LANE.

NOTES:

- ORANGE CONES, 1.07 m TALL, SHALL BE EQUIPPED WITH TWO 100-150 mm WHITE AND TWO 100-150 ORANGE FLUORESCENT HI-INTENSITY REFLECTIVE STRIPES. THE STRIPES SHALL BE SPACED AS SHOWN FOR DRUMS ON HIGHWAY STANDARD 702001.
- EACH OF THESE DEVICES SHALL BE EQUIPPED WITH A RUBBER BALLAST WEIGHING NO LESS THAN 13.6 KG.
- SPACING FOR THE 1.07 m TALL CONES SHALL BE AT 8 m CENTERS.
- APPLICABLE USAGE AREAS ARE AS FOLLOWS:
 - SEASON 2, STAGE 2-A, AREA 2 - STA. 90+218.586 TO STA. 90+262.988
 - SEASON 2, STAGE 2-B, AREA 2 - STA. 90+234.431 TO STA. 90+266.431
 - SEASON 2, STAGE 3-A, AREA 2 - STA. 90+228.585 TO STA. 90+270.409



LEGEND	
	DIRECTION OF TRAFFIC FLOW
	PROPOSED CONSTRUCTION

REVISIONS	
NAME	DATE

ILLINOIS DEPARTMENT OF TRANSPORTATION
MAINTENANCE OF
TRAFFIC PLANS
U.S. ROUTE 136
SCALE 1:500
DATE 5/03
DRAWN BY FML
CHECKED BY IYL