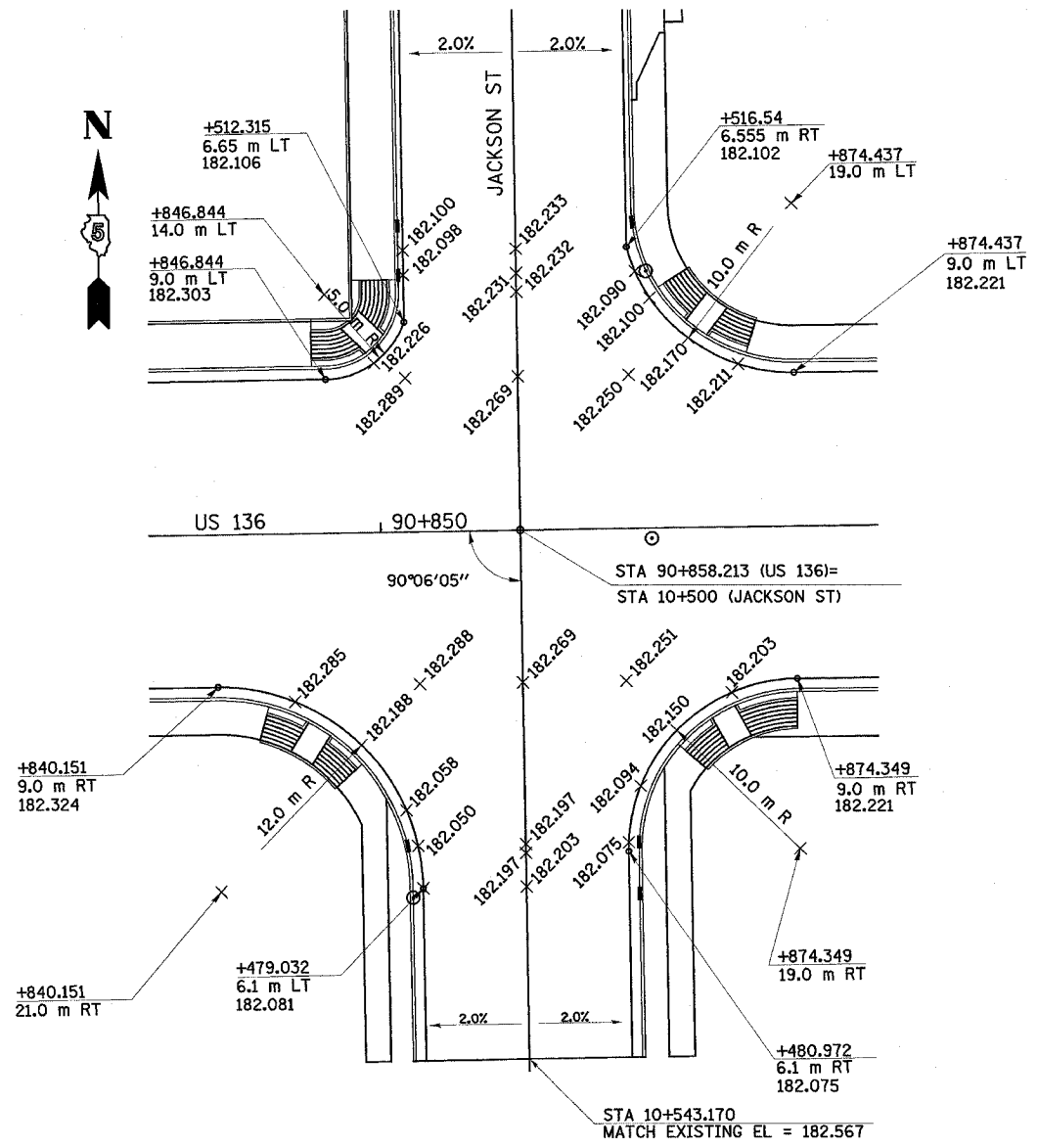
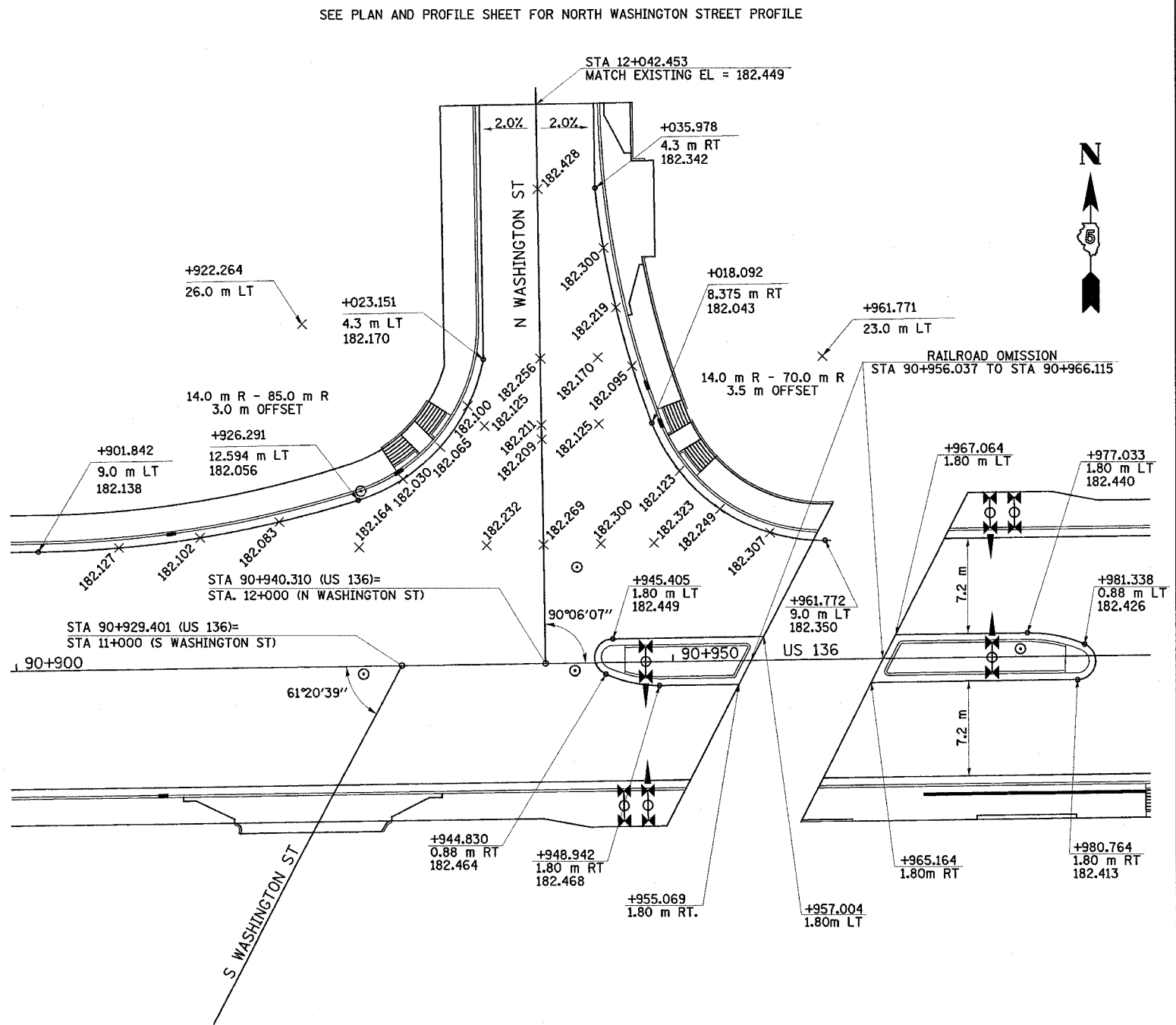


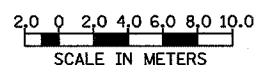
F.A.P. RTE.	SECTION	COUNTY	TOTAL SHEETS	SHEET NO.
729	34Z-4	VERMILION	285	84
FED. ROAD DIST. NO.		ILLINOIS FED. AID PROJECT		



SEE PLAN AND PROFILE SHEET FOR JACKSON STREET PROFILE



SEE PLAN AND PROFILE SHEET FOR NORTH WASHINGTON STREET PROFILE



NOTES: UNLESS OTHERWISE NOTED, ELEVATIONS ARE LOCATED AT QUARTER POINTS AND/OR HALF POINTS ALONG THE RADIUS RETURN.  
 ELEVATIONS SHOWN ADJACENT TO DRAINAGE STRUCTURES SHALL BE THE EDGE OF PAVEMENT ELEVATION AT RIGHT ANGLES TO THE FACE OF CURB AT THE CENTER OF THE DRAINAGE STRUCTURE.

REVISIONS	
NAME	DATE

ILLINOIS DEPARTMENT OF TRANSPORTATION

## INTERSECTION DETAILS

DATE MAY 03

DRAWN BY TD  
 CHECKED BY AWM