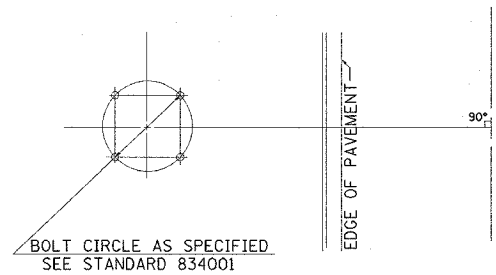
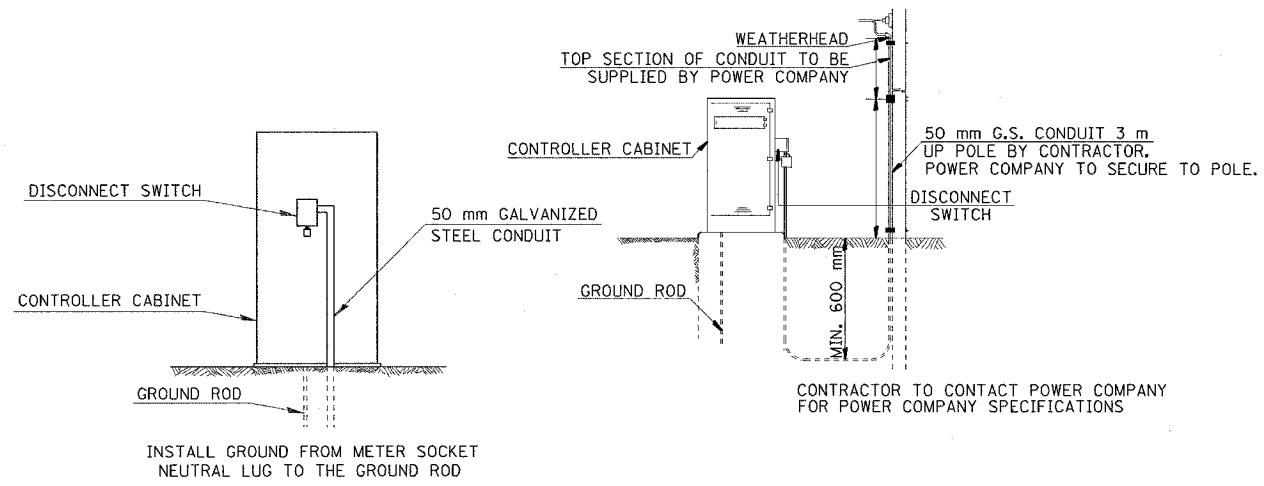


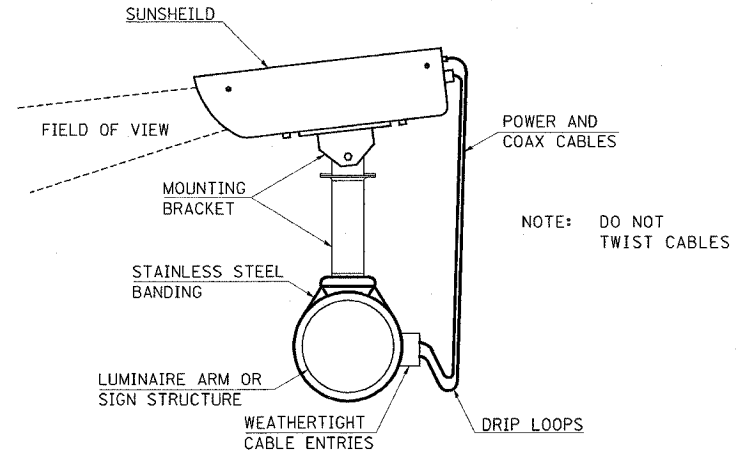
F.A.P. RTE.	SECTION	COUNTY	TOTAL SHEETS	SHEET NO.
729	34Z-4	VERMILION	285	120



**DETAIL OF MAST ARM FOUNDATION  
BOLT PATTERN**



**DETAIL OF SERVICE INSTALLATION, TYPE B (MODIFIED)**



**VIDEO CAMERA MOUNTING DETAIL**